

GIFAS
ELECTRIC



Power distribution

- 1 Solid rubber boxes
- 2 Solid rubber junction boxes
- 3 Boxes with safety and isolator switches
- 4 Mobile Portable solid rubber junction boxes
- 5 Safety and isolating transformers
- 6 Testing and measuring equipment

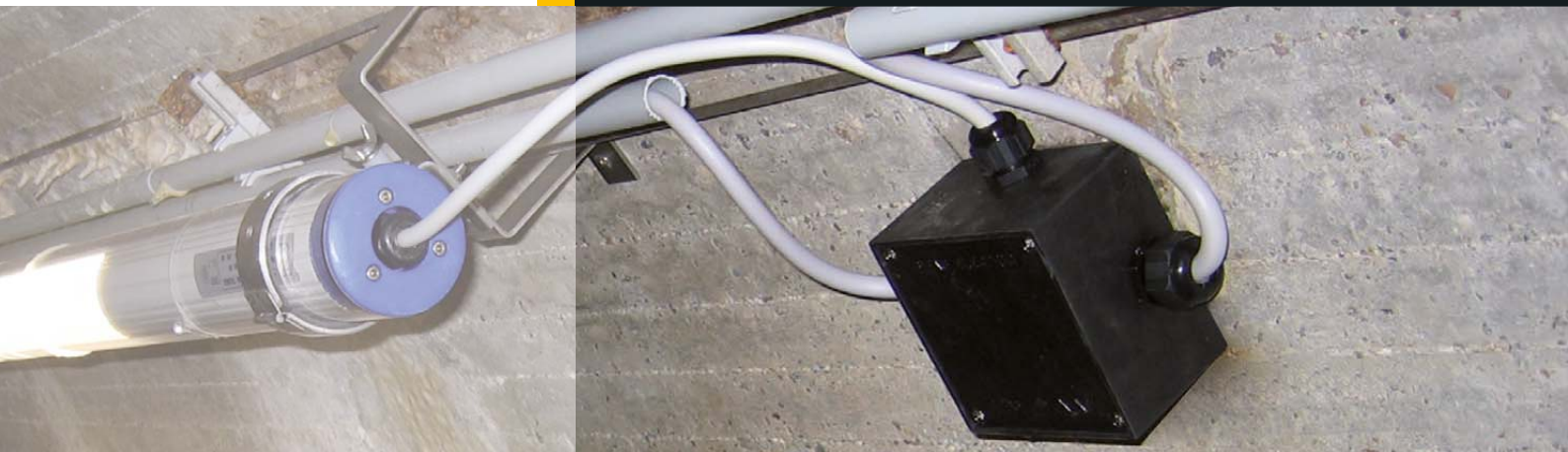
- 8 Cables / hose bridges
- 9 Cabel reels, Spring-operated cable reels, Hose rewinders
- 10 Plug-in connectors
- 11.1 Underground distributors
- 11.2 Energy Columns
- 11.3 Floor outlets
- 12 Products for Ex area
- 13 Welding products

Lighting systems

- 7.1 Hall lighting - Area lighting
- 7.2 Large area lighting, High performance spotlights
- 7.3 Protection tube lights, System lights, Rail system
- 7.4 Mobile lighting, Work lights
- 7.5 Rechargeable lights, Battery light
- 7.6 Street lighting, Square lighting, Path Street lighting

SYSTEMATIC QUALITY

Solid rubber boxes



Solid rubber boxes IP54 (IP44)

Pages 4 - 7

Series 2100



Page 4

Series 1800



Page 5

Series 1400



Page 5

Series 2500



Page 6

Series 2600



Page 6

Series 2700



Page 7

Solid rubber boxes IP65

Pages 8 - 10

Series 1010



Page 8

Series 1212



Page 8

Series 1616



Page 9

Series 1812



Page 9

Series 2010



Page 10

Series 2516



Page 10

Solid rubber boxes IP65 (IP54)

Pages 11 - 13

Series 3800



Page 12

Series 3900



Page 12

Series 7800



Page 13

Series 7900



Page 13

Design options / accessories

Pages 14 - 16

Design options



Page 14

Accessories



Pages 15 - 16

Application examples

Page 17

Application examples



Page 17

Series 3020



Page 11

Series 2612



Page 11

Solid rubber material

- Superior stability: shatterproof, impact-resistant, stable form and resistant to ageing.
- Integrated wall mounting provides protective insulation - separated from the wired area.
- Captive stainless steel top screws.
- No corrosion.
- Dust-tight and protected against water jets (IP65).
- No condensation (even where there are significant temperature fluctuations).
- High temperature resistance from -30° up to +80°C.
- Resistant to chemicals (oils, fat, many acids and caustics). Weather-, UV- and ozone-resistant.
- The special mixture of butyl rubber is self-extinguishing, and does not contain silicone or halogen. In case of fire it produces little smoke. No release of caustic or toxic materials.
- Tested quality. $\text{C} \text{E} \text{ } \overline{\text{O}}\text{V} \text{E} \text{ } \text{T}$

For universal application

- Fast on-site assembly. Adhesive drilling jig include (only for Series 1010, 1212, 1616, 1812, 2516 and 3020).
- Solid rubber box can be adapted easily with conventional tools such as spiral drilling machines, step drills, milling cutters, etc.
- Cable glands can be placed wherever they are needed for clean installation.
- Time-saving retrofitting on boxes that have already been installed.
- No fixed installation points on the base. You can choose where to place the partitions.
- Easy adjustment of built-in units with chipboard screws.
- All conventional clamps or binders can be built in.
- The front panel, made of polycarbonate or solid rubber, is easy to work with.
- Keys, switches, control switch and recording devices can also be quickly installed.

Safe, indestructible

- Suitable for all fields of application in industry and services.
- Suitable for dry and damp areas.
- Suitable for outdoor use, protected from rain, snow and sun.
- Manufactured to your specification (with attached cable glands, standard binders, switches, keys, as well as Schuko and CEE socket or other plug-in systems).
- On request: engraving or labelling for identification or operation and technical references.

Series 2100

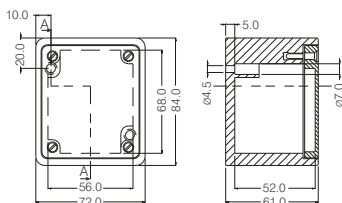


Technical data

Width x height x depth	72 x 84 x 61 mm
Type of protection	IP54
Material	Cover: polyamide Cabinet: solid rubber halogen-free
Gasket seal	Solid rubber round cord
Cover fixing	Stainless steel cross-head screw

EDP No.	Product ID No.	Color
26413	2100.PA.L	black

All parts, including those provided by you, can be installed during the manufacturing process in the box of your choice.



Series 1800

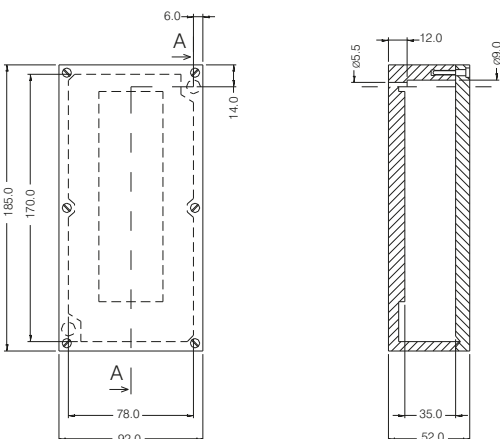


Technical data

Width x height x depth 92 x 185 x 52 mm
 Type of protection IP54
 Material Cover: solid rubber halogen-free
 Cabinet: solid rubber halogen-free
 Gasket seal Foamed polyurethane gasket seal
 Cover fixing Stainless steel cross-head screw

EDP No.	Product ID No.	Color
30994	1800.L	black

All parts, including those provided by you, can be installed during the manufacturing process in the box of your choice.



Series 1400

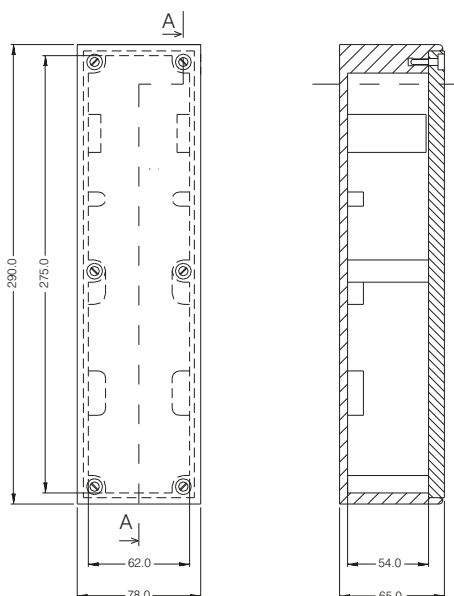


Technical data

Width x height x depth 78 x 290 x 65 mm
 Type of protection IP44
 Material Cover: polycarbonate
 Cabinet: solid rubber halogen-free
 Gasket seal Solid rubber round cording lip
 Cover fixing Stainless steel cross-head slotted screw

EDP No.	Product ID No.	Color
34251	1400.L	black

All parts, including those provided by you, can be installed during the manufacturing process in the box of your choice.



Series 2500



Technical data

Width x height x depth 110 x 110 x 79 mm
 Type of protection IP54
 Material Cover: polyamide
 Cabinet: solid rubber halogen-free
 Gasket seal Solid rubber round cord
 Cover fixing Stainless steel cross-head screw

Series 2600



Technical data

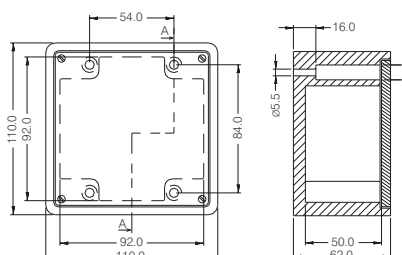
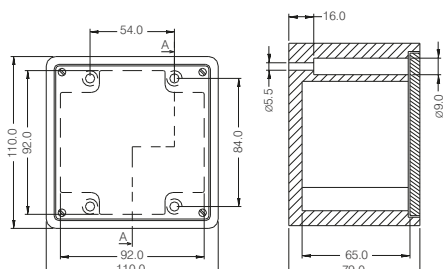
Width x height x depth 110 x 110 x 62 mm
 Type of protection IP54
 Material Cover: polyamide
 Cabinet: solid rubber halogen-free
 Gasket seal Solid rubber round cord
 Cover fixing Stainless steel cross-head screw

EDP No.	Product ID No.	Color
27537	2500.PA.L	black

EDP No.	Product ID No.	Color
26299	2600.PA.L	black

All parts, including those provided by you, can be installed during the manufacturing process in the box of your choice.

All parts, including those provided by you, can be installed during the manufacturing process in the box of your choice.



Series 2700

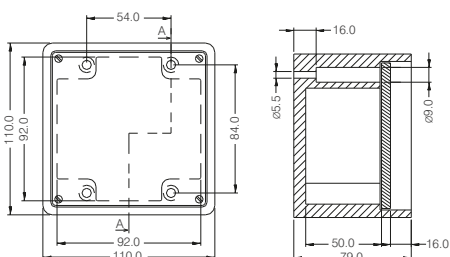


Technical data

Width x height x depth	110 x 110 x 79 mm
Type of protection	IP54
Material	Cover: polyamide Cabinet: solid rubber halogen-free
Gasket seal	Solid rubber round cord
Cover fixing	Stainless steel cross-head screw

EDP No.	Product ID No.	Color
26485	2700.PA.L	black

All parts, including those provided by you, can be installed during the manufacturing process in the box of your choice.



Series 1010



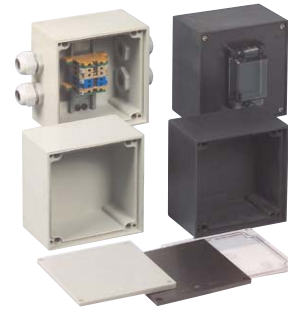
Technical data

Width x height x depth	100 x 100 x 65 mm
Type of protection	IP65
Material	Cover: polycarbonate (black, grey) Cabinet: solid rubber halogen-free (black, grey)
Gasket seal	Foamed polyurethane gasket seal
Cover fixing	Stainless steel cross-head slotted screw

EDP No.	Product ID No.	Color
68130	1010.L	black
68131	1010.GRAU.L	grey

All parts, also those provided by you, can be installed during our fabrication process in the box of your choice

Series 1212

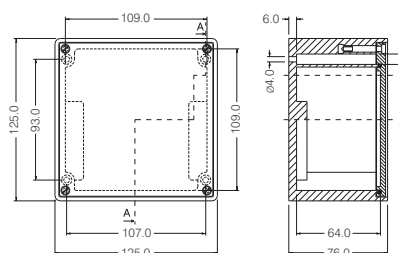
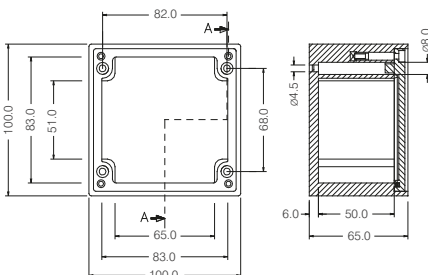


Technical data

Width x height x depth	125 x 125 x 76 mm
Type of protection	IP65
Material	Cover: polycarbonate (black, grey, transparent) Cabinet: solid rubber halogen-free (black, grey)
Gasket seal	Foamed polyurethane gasket seal
Cover fixing	Stainless steel cross-head slotted screw

EDP No.	Product ID No.	Color
41895	1212.L	black
41896	1212.GRAU.L	grey

All parts, also those provided by you, can be installed during our fabrication process in the box of your choice



Series 1616



Series 1812



Technical data

Width x height x depth 160 x 160 x 90 mm
 Type of protection IP65
 Material Cover: polycarbonate (black, grey, transparent)
 Cabinet: solid rubber halogen-free (black, grey)
 Gasket seal Foamed polyurethane gasket seal
 Cover fixing Stainless steel cross-head slotted screw

Technical data

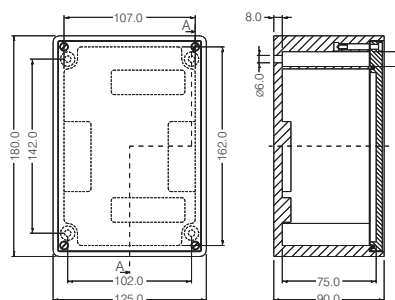
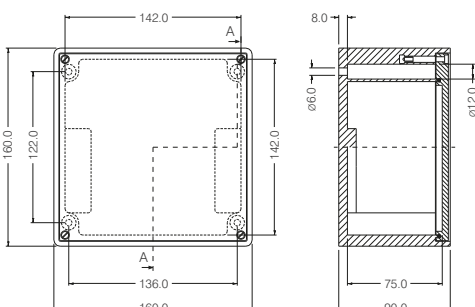
Width x height x depth 125 x 180 x 90 mm
 Type of protection IP65
 Material Cover: polycarbonate (black, grey, transparent)
 Cabinet: solid rubber halogen-free (black, grey)
 Gasket seal Foamed polyurethane gasket seal
 Cover fixing Stainless steel cross-head slotted screw

EDP No.	Product ID No.	Color
41924	1616.L	black
41925	1616.GRAU.L	grey

EDP No.	Product ID No.	Color
41928	1812.L	black
41929	1812.GRAU.L	grey

All parts, also those provided by you, can be installed during our fabrication process in the box of your choice

All parts, also those provided by you, can be installed during our fabrication process in the box of your choice



Series 2010



Technical data

Width x height x depth	200 x 100 x 65 mm
Type of protection	IP67
Material	Cover: trovidur (black) Cabinet: solid rubber halogen-free (black)
Gasket seal	Foamed polyurethane gasket seal
Cover fixing	Stainless steel cross-head slotted screw

EDP No.	Product ID No.	Color
126627	2010.RWY.L	black

Series 2516



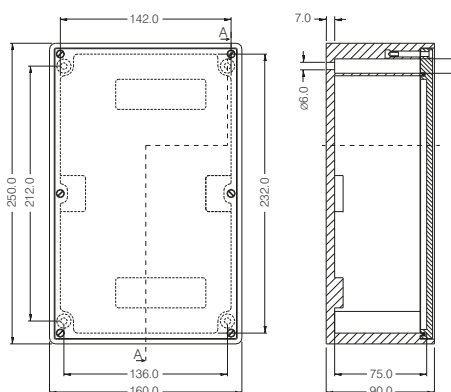
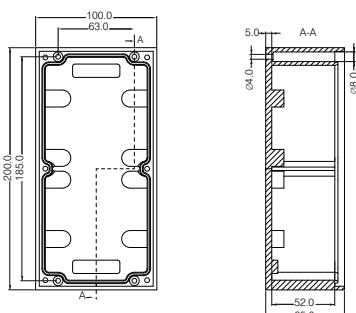
Technical data

Width x height x depth	160 x 250 x 90 mm
Type of protection	IP65
Material	Cover: polycarbonate (black, grey, transparent) Cabinet: solid rubber halogen-free (black, grey)
Gasket seal	Foamed polyurethane gasket seal
Cover fixing	Stainless steel cross-head slotted screw

EDP No.	Product ID No.	Color
41932	2516.L	black
41933	2516.GRAU.L	grey

All parts, also those provided by you, can be installed during our fabrication process in the box of your choice

All parts, including those provided by you, can be installed during the manufacturing process in the box of your choice.



Series 3020

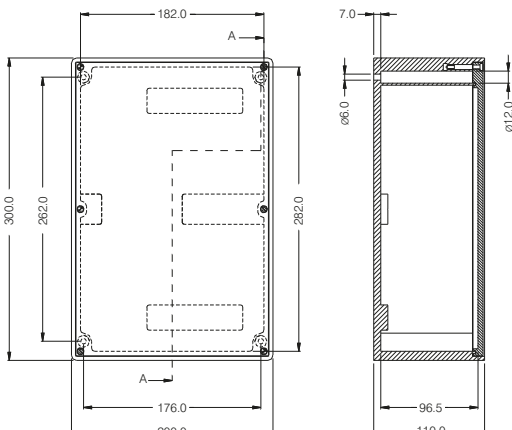


Technical data

Width x height x depth 200 x 300 x 110 mm
 Type of protection IP65
 Material Cover: polycarbonate (black, grey, transparent)
 Cabinet: solid rubber halogen-free (black, grey)
 Gasket seal Foamed polyurethane gasket seal
 Cover fixing Stainless steel cross-head slotted screw

EDP No.	Product ID No.	Color
49612	3020.L	black
49614	3020.GRAU.L	grey

All parts, including those provided by you, can be installed during the manufacturing process in the box of your choice.



Series 2612

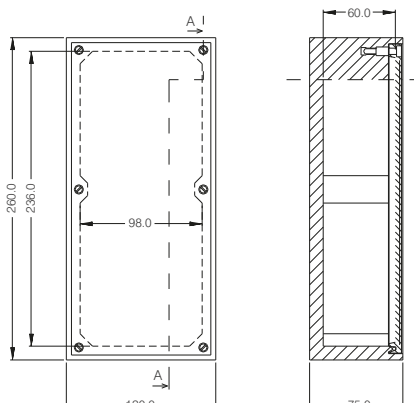


Technical data

Width x height x depth 120 x 260 x 75 mm
 Type of protection IP65
 Material Cover: polycarbonate
 Cabinet: solid rubber halogen-free
 Gasket seal Foamed polyurethane gasket seal
 Cover fixing Stainless steel cross-head slotted screw

EDP No.	Product ID No.	Color
32153	2612.L	black

All parts, including those provided by you, can be installed during the manufacturing process in the box of your choice.



Series 3800, 3900



Technical data

Width x height x depth	Series 3800: 250 x 360 x 133 mm Series 3900: 250 x 360 x 173 mm Other depths on request.
Type of protection	IP65
Material	Cover: solid rubber halogen-free Cabinet: solid rubber halogen-free
Gasket seal	Foamed polyurethane gasket seal
Cover fixing	Stainless steel cross-head slotted screw

EDP No.	Product ID No.	Color
42270	3800.GLATT.L.M	black
42271	3900.GLATT.L.M	black

Series 3800, 3900 with door



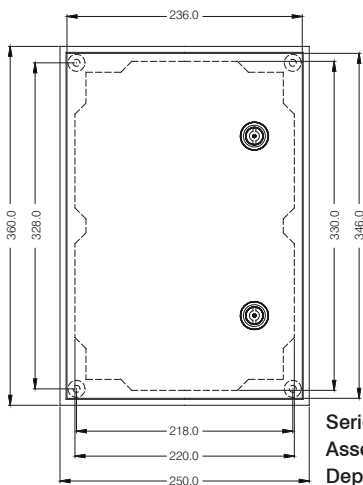
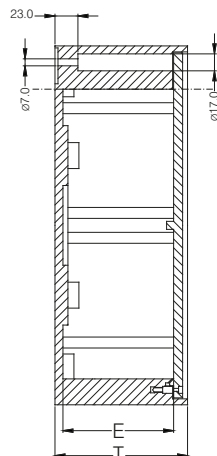
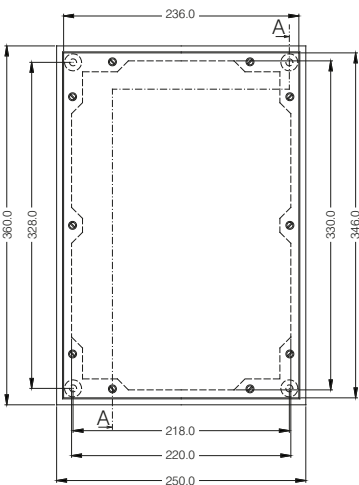
Technical data

Width x height x depth	Series 3800: 250 x 360 x 133 mm Series 3900: 250 x 360 x 173 mm Other depths on request.
Type of protection	IP54
Material	Door:gifadur (black) Cabinet: solid rubber halogen-free
Gasket seal	Foamed polyurethane gasket seal
Cover fixing	Hinge / rotating lock

EDP No.	Product ID No.	Color
83162	3800T.2DREHR.L.M	black
83161	3900T.2DREHR.L.M	black

All parts, including those provided by you, can be installed during the manufacturing process in the box of your choice.

All parts, including those provided by you, can be installed during the manufacturing process in the box of your choice.



Series	3800	3900
Assembly dimension (E)	110	150
Depth (T)	133	173

Series 7800, 7900

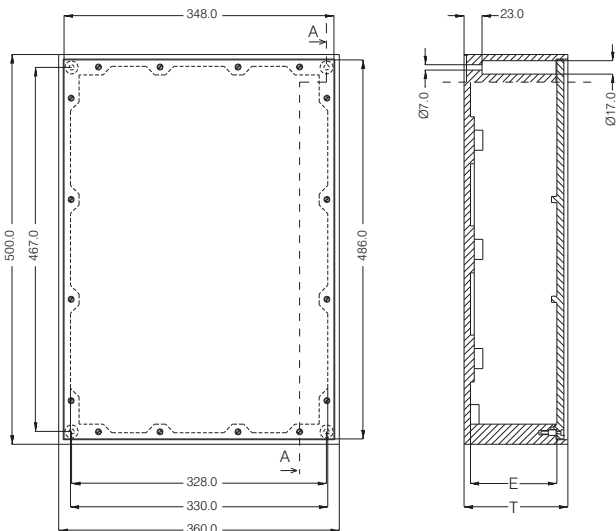


Technical data

Width x height x depth	Series 7800: 360 x 500 x 133 mm Series 7900: 360 x 500 x 173 mm Other depths on request.
Type of protection	IP65
Material	Cover: solid rubber halogen-free Cabinet: solid rubber halogen-free
Gasket seal	Foamed polyurethane gasket seal
Cover fixing	Stainless steel cross-head slotted screw

EDP No.	Product ID No.	Color
39112	7800.GLATTL.M	black
39115	7900.GLATTL.M	black

All parts, including those provided by you, can be installed during the manufacturing process in the box of your choice.



Series 7800, 7900 with door

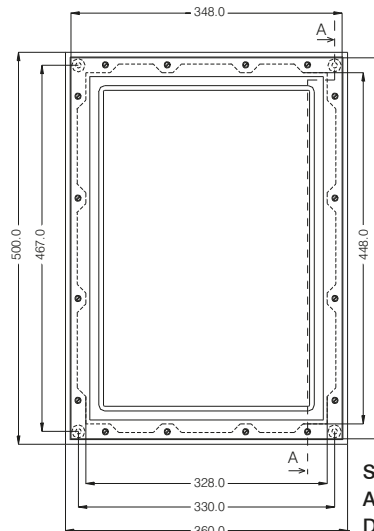


Technical data

Width x height x depth	Series 7800: 360 x 500 x 133 mm Series 7900: 360 x 500 x 173 mm Other depths on request.
Type of protection	IP54
Material	Door: polycarbonate (black, transparent) Cabinet: solid rubber halogen-free
Gasket seal	Foamed polyurethane gasket seal
Cover fixing	Hinge / rotating lock

EDP No.	Product ID No.	Color
83159	7800.TÜRE.SCHWARZ.2DREHR.L.M	box black door black
83160	7800.TÜRE.TRANSPARENT.2DREHR.L.M	box black door transp.
83157	7900.TÜRE.SCHWARZ.2DREHR.L.M	box black door black
83158	7900.TÜRE.TRANSPARENT.2DREHR.L.M	box black door transp.

All parts, including those provided by you, can be installed during the manufacturing process in the box of your choice.



Series	7800	7900
Assembly dimension (E)	110	150
Depth (T)	133	173

Design options

Series 3800/3900 and 7800/7900 with door

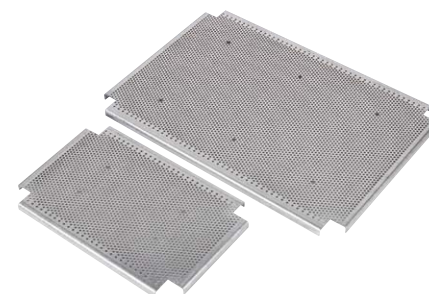
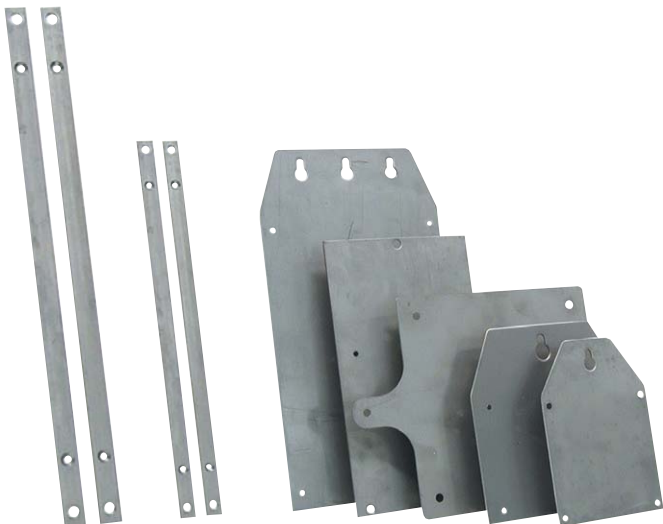


Design options:

- Doors with left or right hinges
- 1-/3-part contact protection
- Different locking systems: Plastic bolt lock, half cylinder, H 36000 Rotary cabinet bolt (also lockable)
- Mounting plates
- Standard bars and binders
- Different cable glands
- Mounting frame

Please get in touch with us.

Our engineers would be pleased to help you to assemble the box of your choice.



Accessories

Water-tight cable glands IP68

EDP No.	Description / Product ID No. (grey/black clamping area)	Color	Drilling diameter for counter nut mounting	Core drilling diameter for direct screwing
63726	KV.M12.METRISCH.2,5-6,5.MM.GRAU	grey	13 - 14 mm	11 mm
63611	KV.M12.METRISCH.2,5-6,5.MM.SCHWARZ	black		
63727	KV.M16.METRISCH.3,5-10.MM.GRAU	grey	17 - 18 mm	15 mm
63610	KV.M16.METRISCH.3,5-10.MM.SCHWARZ	black		
63728	KV.M20.METRISCH.7-14.MM.GRAU	grey	21 - 22 mm	19 mm
63607	KV.M20.METRISCH.7-14.MM.SCHWARZ	black		
63730	KV.M25.METRISCH.9-18.MM.GRAU	grey	26 - 27 mm	24 mm
63557	KV.M25.METRISCH.9-18.MM.SCHWARZ	black		
63731	KV.M32.METRISCH.14-25.MM.GRAU	grey	33 - 34 mm	31 mm
63609	KV.M32.METRISCH.14-25.MM.SCHWARZ	black		
63733	KV.M40.METRISCH.18-32.MM.GRAU	grey	41 - 42 mm	39 mm
63568	KV.M40.METRISCH.18-32.MM.SCHWARZ	black		
63734	KV.M50.METRISCH.24-38,5.MM.GRAU	grey	51 - 52 mm	49 mm
63569	KV.M50.METRISCH.24-38,5.MM.SCHWARZ	black		
63735	KV.M63.METRISCH.35-48.MM.GRAU	grey	64 - 65 mm	62 mm
63570	KV.M63.METRISCH.35-48.MM.SCHWARZ	black		

Dummy plugs

Made of fibre-glass reinforced polyamide PA 6 GF 30 for cable glands M12-M32 (only in bright grey RAL 7035).

EDP No.	Product ID No.
68175	BLINDSTOPFEN.M12.GRAU
68176	BLINDSTOPFEN.M16.GRAU
68025	BLINDSTOPFEN.M20.GRAU
68177	BLINDSTOPFEN.M25.GRAU
68178	BLINDSTOPFEN.M32.GRAU
68179	BLINDSTOPFEN.M40.GRAU
68180	BLINDSTOPFEN.M50.GRAU
68181	BLINDSTOPFEN.M63.GRAU

Dummy disks

Made of polyethylene (PE-LD) for cable glands with metric thread.

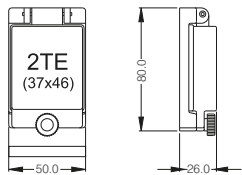
EDP No.	Product ID No.	outer diameter in mm	thickness in mm
63986	KV.BLINDSCHEIBE.M12	9.5	0.5
63982	KV.BLINDSCHEIBE.M16	15.5	0.5
63987	KV.BLINDSCHEIBE.M20	18.6	0.5
13964	KV.BLINDSCHEIBE.M25	23.0	0.5
63983	KV.BLINDSCHEIBE.M32	28.5	0.5

Supporting rail, bar

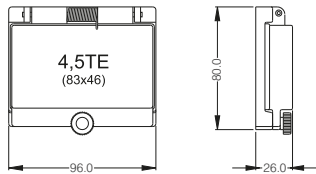
Cut to length, drilled and mounted.
 TS35 for Series 1010, 1212, 1616, 1812, 2516, 3020



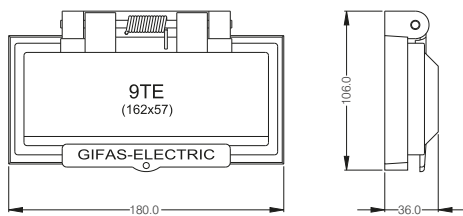
Makrolon covers



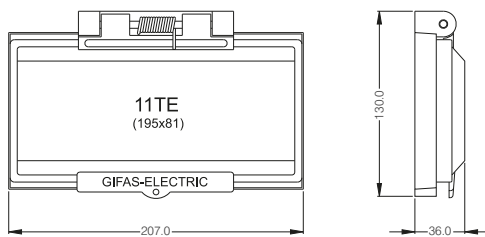
EDP No.	Product ID No.
10227	KLADECK.2.SW



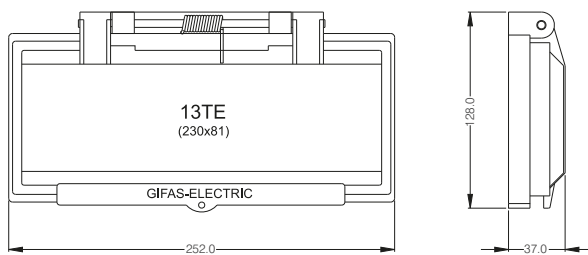
EDP No.	Product ID No.
41291	KLADECK.4,5.+DICHTUNG



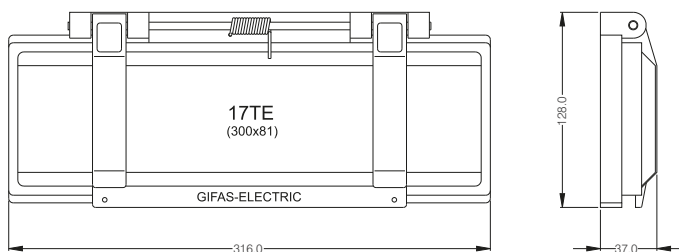
EDP No.	Product ID No.
12137	80.94.01.K
25544	RÄNDELSCHRAUBE.KU.KOPF



EDP No.	Product ID No.
12003	70.94.01.K
25544	RÄNDELSCHRAUBE.KU.KOPF

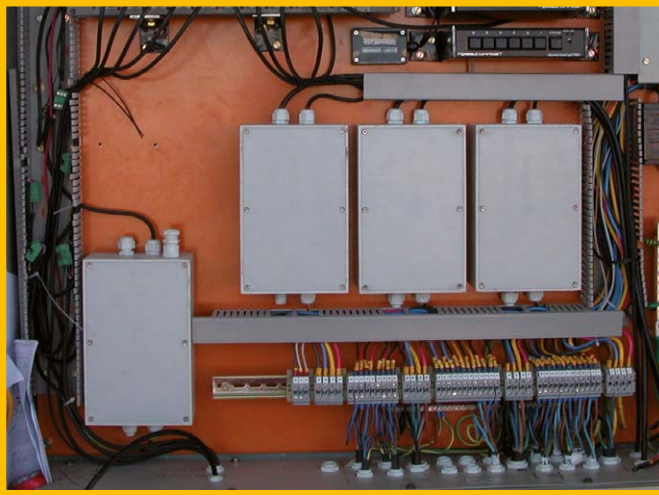


EDP No.	Product ID No.
50609	74.94.01.K
25544	RÄNDELSCHRAUBE.KU.KOPF



EDP No.	Product ID No.
36055	75.94.02.K
+ 2 pieces:	
25544	RÄNDELSCHRAUBE.KU.KOPF

Application examples / customer solutions



CONTACT US



GIFAS
ELECTRIC

GIFAS ELECTRIC
Gesellschaft m.b.H
Strass 2
5301 Eugendorf
AUSTRIA

🌐 www.gifas.at
✉ verkauf@gifas.at
☎ +43 6225/7191-0
☎ +49 8654/404-2000

SYSTEMATIC QUALITY

Solid rubber junction boxes



Solid rubber junction boxes

Pages 4 - 7

Series 2100



Page 4

Series 1800



Page 5

Series 2500 / 2600



Page 6

Series 2700



Page 7

Solid rubber junction boxes

Pages 8 - 13

Series 7200



Page 8

Series 7250



Page 9

Series 7300



Page 10

Series 7350



Page 11

Series 7400



Page 12

Series 7450



Page 13

Solid rubber junction boxes

Pages 14 - 20

Series 7700



Page 14

Series 7750



Page 15

Series 3800 / 3900



Pages 16 - 17

Series 7800 / 7900



Pages 18 - 20

Application examples

Pages 21 - 23

Application examples



Pages 21 - 23

Solid rubber material

- Superior stability: shatterproof, impact-resistant, stable shape and resistant to ageing.
- Integrated wall mounting provides protective insulation - separated from the wired area.
- Captive stainless steel top screws.
- No corrosion.
- Dust-tight and protected against water jets (IP65)
- No condensation (even where there are significant temperature fluctuations).
- High temperature resistance from -30° up to +80°C.
- Resistant to chemicals (oils and fat, many acids and caustics). Weather-, UV- and ozone-resistant.
- The special mixture of butyl rubber is self-extinguishing, and does not contain silicone or halogen. In case of fire it produces little smoke. No release of caustic or toxic materials.
- Tested quality. $\text{C} \in \text{OVE} \uparrow$

For universal application

- Fast on-site assembly.
- Solid rubber box can be adapted easily with conventional tools such as spiral drilling machines, hobs, etc.
- Cable glands can be placed wherever they are needed for clean installation.
- Time-saving retrofitting on boxes that have already been installed.
- No fixed installation points on the base. You can choose where to place the partitions.
- Easy adjustment of built-in units with chipboard screws.
- All conventional clamps or binders can be built in.
- The front panel, made of polycarbonate or solid rubber, is easy to work with.
- Keys, switches, control switch and recording devices can also be quickly installed.

Indestructable

- Suitable for all fields of application in industry and services.
- Suitable for dry and damp areas.
- Suitable for outdoor use, protected from rain, snow and sun.
- Manufactured to your specification (with attached cable glands, standard binders, switches, keys, as well as Schuko and CEE socket or other plug-in systems).
- On request, engraving or labelling for identification or operation and technical references.

Series 2100



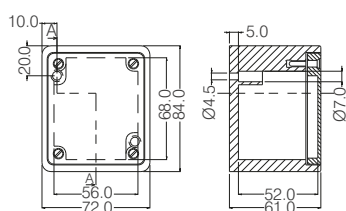
Technical data

Width x height x depth	72 x 84 x 61 mm
Type of protection	IP44 / IP54
Housing material	solid rubber (vulcanised butyl rubber)
Specifications of the housing	halogen-free, UV-resistant, resistant to oils and various acids and alkalis
Gasket seal	solid rubber round cord
Cover fixing	stainless steel cross-head screw
Protective insulation	2-way wall mounting

Equipment examples

EDP No.	EDP No. F&B	Product ID No.	Entry	Fusing	Equipment	
25077	85055	21309.PA	1/M20	unfused	1/Schuko 16A 230V	
26078		21201639	1/M20	unfused	1/CEE 3x16A 230V	
25141		21241629	1/M20	unfused	1/CEE 2x16A 24V	
25816		2100.PA.1KN.CA10.A200.1M20	1/M20	unfused	1/on-off-switch CA10 A200	

Design the optimum solution for your requirements with our engineers.



Series 1800



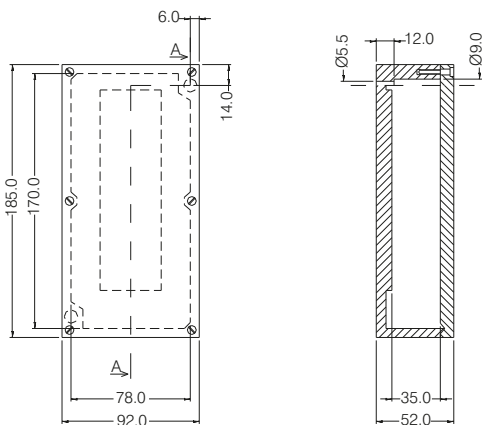
Technical data

Width x height x depth	92 x 185 x 52 mm
Type of protection	IP44
Housing material	solid rubber (vulcanised butyl rubber)
Specifications of the housing	halogen-free, UV-resistant, resistant to oils and various acids and alkalis
Gasket seal	foamed polyurethane gasket seal
Cover fixing	stainless steel cross-head screw
Protective insulation	2-way wall mounting outside the wiring space partitioned off

Equipment examples

EDP No.	EDP No. F&B	Product ID No.	Entry	Fusing	Equipment	
25473	85031	183.1M20	1/M20	unfused	3/Schuko 16A 230V	
25675	85032	182.1M20	1/M20	unfused	2/Schuko 16A 230V	
28363		1800.2CEE.1M20.QUER	1/M20	unfused	2/CEE 3x16A 230V	
61249		1800.2CEE.1M20.HOCH	1/M20	unfused	2/CEE 3x16A 230V	
47610		1800.2x241629.1M20	1/M20	unfused	2/CEE 2x16A 24V	
47606		1800.2x421629.1M20	1/M20	unfused	2/CEE 2x16A 42V	
37825	85033	182.1CEE.1M20	1/M20	unfused	2/Schuko 16A 230V 1/CEE 3x16A 230V	

Design the optimum solution for your requirements with our engineers.



Series 2500 / 2600

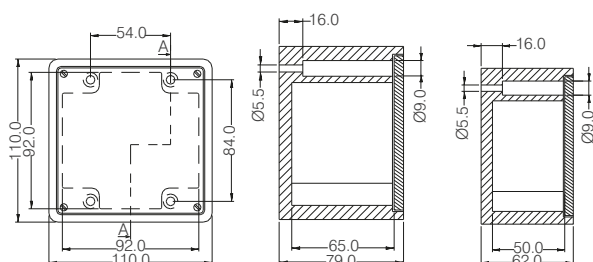


Technical data

Width x height x depth	110 x 110 x 79 / 62 mm
Type of protection	IP44
Housing material	solid rubber (vulcanised butyl rubber)
Specifications of the housing	halogen-free, UV-resistant, resistant to oils and various acids and alkalis
Gasket seal	solid rubber round cord
Cover fixing	stainless steel cross-head screw
Protective insulation	4-way wall mounting outside the wiring space partitioned off

Equipment examples						
EDP No.	EDP No. F&B	Product ID No.	Entry	Fusing	Equipment	
25231	85034	2516582.1M20	1/M20	unfused	1/CEE 5x16A 400V 2/Schuko 16A 230V	
25483	85035	254.M20.4ÖSEN junction box to hang up	1/M20	unfused	4/Schuko 16A 230V 4/eye bolts	
25321		25303259	1/M25	unfused	1/CEE 5x32A 400V	
25243		26301659	1/M20	unfused	1/CEE 5x16A 400V	

Design the optimum solution for your requirements with our engineers.



Series 2700



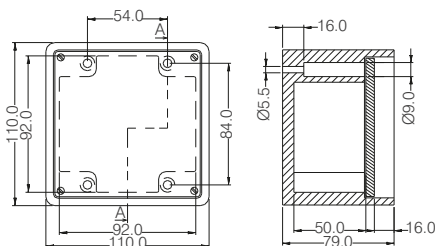
Technical data

Width x height x depth	110 x 110 x 79 mm
Type of protection	IP44
Housing material	solid rubber (vulcanised butyl rubber)
Specifications of the housing	halogen-free, UV-resistant, resistant to oils and various acids and alkalis
Gasket seal	solid rubber round cord
Cover fixing	stainless steel cross-head screw
Protective insulation	4-way wall mounting outside the wiring space partitioned off
Protective edge	protruding

Equipment examples

EDP No.	EDP No. F&B	Product ID No.	Entry	Fusing	Equipment	
25232	85036	272.1M20	1/M20	unfused	2/Schuko 16A 230V	
25477	85040	2792.1M20.	1/M20	1/MCB 1pol. 16A	2/Schuko 16A 230V	
25519	85039	2727.1M20.	1/M20	1/RCD 2pol. 25/0.03A Type A	2/Schuko 16A 230V	

Design the optimum solution for your requirements with our engineers.



Series 7200

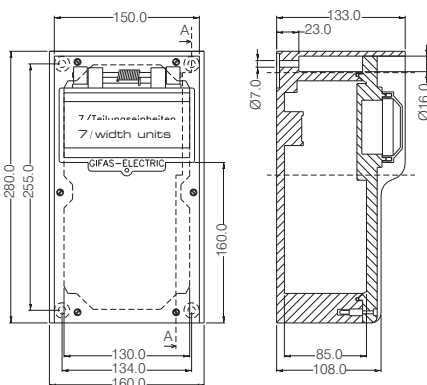


Technical data

Width x height x depth	160 x 280 x 133 mm
Type of protection	IP44 (up to IP65 possible)
Housing material	solid rubber (vulcanised butyl rubber)
Specifications of the housing	halogen-free, UV-resistant, resistant to oils and various acids and alkalis
Gasket seal	foamed polyurethane gasket seal
Cover fixing	stainless steel screw TORX T15 A4
Macrolon cover	for 7 width units
Protective insulation	4-way wall mounting outside the wiring space partitioned off

Equipment examples						
EDP No.	EDP No. F&B	Product ID No.	Entry	Fusing	Equipment	
60750	85042	72192.1M25.	1/M25	1/MCB 3pol. 16A 2/MCB 1pol. 16A	1/CEE 5x16A 400V 2/Schuko 16A 230V	
77485	85043	721.27.0.03.40.SP.1M25.	1/M25	unfused unfused 1/RCD 4pol. 40/0.03A Type A	1/CEE 5x16A 400V 2/Schuko 16A 230V	
47608	85044	723.927.0.03.40.SP.1M25.	1/M25	unfused 2/MCB 1pol. 16A 1/RCD 4pol. 40/0.03A Type A	1/CEE 5x32A 400V 2/Schuko 16A 230V	
64910	85045	7294G7.30MA.1M20.	1/M20	2/MCB 1pol. 16A 1/RCD 4pol. 40/0.03A Type A	4/Schuko 16A 230V	
77487		7292CEE7.0.03.40.1M20.	1/M20	2/MCB 1pol. 16A 1/RCD 4pol. 40/0.03A Type A	2/CEE 3x16A 230V	

Design the optimum solution for your requirements with our engineers.



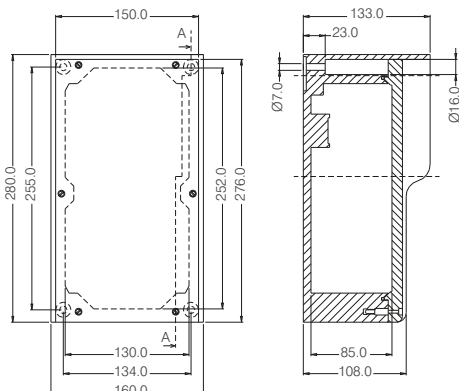
Series 7250



Technical data

Width x height x depth	160 x 280 x 133 mm
Type of protection	IP44 (up to IP65 possible)
Housing material	solid rubber (vulcanised butyl rubber)
Specifications of the housing	halogen-free, UV-resistant, resistant to oils and various acids and alkalis
Gasket seal	foamed polyurethane gasket seal
Cover fixing	stainless steel screw TORX T15 A4
Protective insulation	4-way wall mounting outside the wiring space partitioned off

Equipment examples						
EDP No.	EDP No. F&B	Product ID No.	Entry	Fusing	Equipment	
46499	85046	7250.1.2.EKL.1M20	1/M20	unfused	1/CEE 5x16A 400V 2/Schuko 16A 230V	
47615	85047	7250.3.2.EKL.1M20.1M25	1/M25 1/M20	unfused	1/CEE 5x32A 400V 2/Schuko 16A 230V	
47313		7250.11.EKL.1M25	1/M25	unfused	2/CEE 5x16A 400V	
47239		7250.31.EKL.1M20.1M25	1/M25 1/M20	unfused	1/CEE 5x32A 400V 1/CEE 5x16A 400V	
46328		7250.306359.EKL.1M32	1/M32	unfused	1/CEE 5x63A 400V	
47611	85048	7250.1.1.1KN.A200.1M20.1M25	1/M25 1/M20	unfused	1/CEE 5x16A 400V 1/Schuko 16A 230V 1/on-off-switch	
47612	85049	7250.2CEE.2.EKL.2M20	1/M20 1/M20	unfused	2/CEE 3x16A 230V 2/Schuko 16A 230V	
47613	85051	7250.309.2x241629.2M20	1/M20 1/M20	unfused	2/CEE 2x16A 24V (24V separated from 230V partition) 1/Schuko 16A 230V	



Design the optimum solution for your requirements with our engineers.

Series 7300



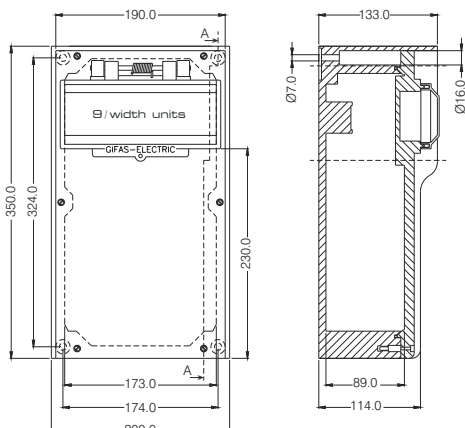
Technical data

Width x height x depth	200 x 350 x 133 mm
Type of protection	IP44 (up to IP65 possible)
Housing material	solid rubber (vulcanised butyl rubber)
Specifications of the housing	halogen-free, UV-resistant, resistant to oils and various acids and alkalis
Gasket seal	foamed polyurethane gasket seal
Cover fixing	stainless steel screw TORX T15 A4
Macrolon cover	for 9 width units
Protective insulation	4-way wall mounting outside the wiring space partitioned off

Equipment examples

EDP No.	EDP No. F&B	Product ID No.	Entry	Fusing	Equipment	
79175	85075	731927.0,03.40.SP1M25.	1/M25	1/MCB 3pol. 16A 2/MCB 1pol. 16A 1/RCD 4pol. 40/0.03A Type A	1/CEE 5x16A 400V 2/Schuko 16A 230V	
71414	85077	733927.0,03.40.SP1M32.	1/M32	1/MCB 3pol. 32A 2/MCB 1pol. 16A 1/RCD 4pol. 40/0.03A Type A	1/CEE 5x32A 400V 2/Schuko 16A 230V	
47619		7369.1M40.	1/M40	1/MCB 3pol. 63A	1/CEE 5x63A 400V	
46691	85079	731193.1M32.	1/M32	2/MCB 3pol. 16A 3/MCB 1pol. 16A	2/CEE 5x16A 400V 3/Schuko 16A 230V	
93873		73392CEE7.0,03.63A.XF.G/A.1M32.	1/M32	1/MCB 3pol. 32A 2/MCB 1pol. 16A 1/RCD 4pol. 40/0.03A Type G/A	1/CEE 5x32A 400V 2/CEE 3x16A 230V	

Design the optimum solution for your requirements with our engineers.



Series 7350



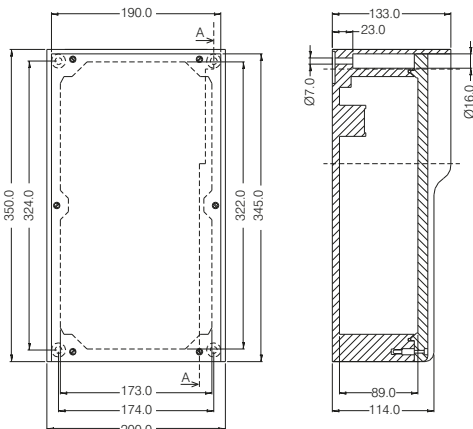
Technical data

Width x height x depth	200 x 350 x 133 mm
Type of protection	IP44 (up to IP65 possible)
Housing material	solid rubber (vulcanised butyl rubber)
Specifications of the housing	halogen-free, UV-resistant, resistant to oils and various acids and alkalis
Gasket seal	foamed polyurethane gasket seal
Cover fixing	stainless steel screw TORX T15 A4
Protective insulation	4-way wall mounting outside the wiring space partitioned off

Equipment examples

EDP No.	EDP No. F&B	Product ID No.	Entry	Fusing	Equipment	
47622	85082	7350.111.2.EKL.1M20.1M25	1/M25 1/M20	unfused	3/CEE 5x16A 400V 2/Schuko 16A 230V	
47163	85083	7350.31.2.EKL.1M20.2M25	2/M25 1/M20	unfused	1/CEE 5x32A 400V 1/CEE 5x16A 400V 2/Schuko 16A 230V	
46925	85085	7350.33.2.EKL.1M20.2M25	2/M25 1/M20	unfused	2/CEE 5x32A 400V 2/Schuko 16A 230V	
47624		7350.3.5CEE.SAK.1M20.1M32	1/M32 1/M20	unfused	1/CEE 5x32A 400V 5/CEE 3x16A 230V	
47625		7350.61.EKL.1M20.1M32	1/M32 1/M20	unfused	1/CEE 5x63A 400V 1/CEE 5x16A 400V	

Design the optimum solution for your requirements with our engineers.



Series 7400



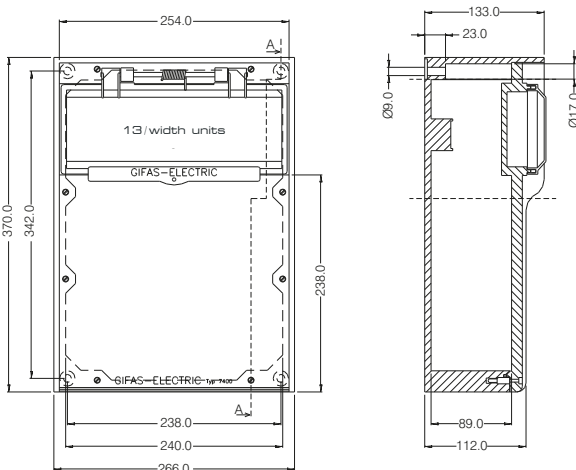
Technical data

Width x height x depth	266 x 370 x 133 mm
Type of protection	IP44 (up to IP65 possible)
Housing material	Solid rubber (vulcanised butyl rubber) available in black or grey
Specifications of the housing	Halogen-free, UV-resistant, resistant to oils and various acids and alkalis
Gasket seal	Foamed polyurethane gasket seal
Cover fixing	Stainless steel screw TORX T15 A4 for 13 width units
Macrolon cover	
Protective insulation	4-way wall mounting outside the wiring space partitioned off

Equipment examples

EDP No.	EDP No. F&B	Product ID No.	Entry	Fusing	Equipment	
89672	85086	7411937.0,03.40.SP1M32.	1/M32	2/MCB 3pol. 16A 3/MCB 1pol. 16A 1/RCD 4pol. 40/0.03A Type A	2/CEE 5x16A 400V 3/Schuko 16A 230V	
53792	85088	7431937.0,03.63.XF.G/A.1M32.UNTEN.	1/M32	1/MCB 3pol. 32A 1/MCB 3pol. 16A 3/MCB 1pol. 16A 1/RCD 4pol. 63/0.03A Type G/A	1/CEE 5x32A 400V 1/CEE 5x16A 400V 3/Schuko 16A 230V	
62764	85090	7433937.0,03.63.XF.G/A.1M32.	1/M32	2/MCB 3pol. 32A 3/MCB 1pol. 16A 1/RCD 4pol. 63/0.03A Type G/A	2/CEE 5x32A 400V 3/Schuko 16A 230V	
69791	85091	746.31927.0,03.63.XF.HKL.1M40.	1/M40	unfused 1/MCB 3pol. 32A 1/MCB 3pol. 16A 2/MCB 1pol. 16A 1/RCD 4pol. 63/0.03A Type G/A	1/CEE 5x63A 400V 1/CEE 5x32A 400V 1/CEE 5x16A 400V 2/Schuko 16A 230V	
85092		741192CEE7.0,03.40.SPM32.	1/M32	2/MCB 3pol. 16A 2/MCB 1pol. 16A 1/RCD 4pol. 63/0.03A Type A	2/CEE 5x16A 400V 2/CEE 3x16A 230V	

Design the optimum solution for your requirements with our engineers.



Series 7450



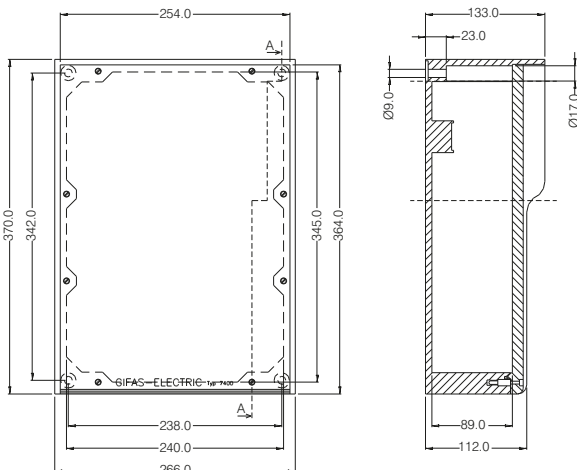
Technical data

Width x height x depth	266 x 370 x 133 mm
Type of protection	IP44 (up to IP65 possible)
Housing material	Solid rubber (vulcanised butyl rubber)
Specifications of the housing	Halogen-free, UV-resistant, resistant to oils and various acids and alkalis
Gasket seal	Foamed polyurethane gasket seal
Cover fixing	Stainless steel screw TORX T15 A4
Protective insulation	4-way wall mounting outside the wiring space partitioned off

Equipment examples

EDP No.	EDP No. F&B	Product ID No.	Entry	Fusing	Equipment	
45372	85094	7450.31.4.EKL.2M20.1M25	1/M25 1/M20 1/M20	unfused	1/CEE 5x32A 400V 1/CEE 5x16A 400V 4/Schuko 16A 230V	
47639		7450.31.4.EKL.3M25	1/M25 1/M20 1/M20	unfused	1/CEE 5x32A 400V 1/CEE 5x16A 400V 3/CEE 3x16A 230V	
47637	85095	7450.6311.3.2M20.1M25.1M32	1/M32 1/M25 1/M20 1/M20	unfused	1/CEE 5x63A 400V 1/CEE 5x32A 400V 2/CEE 5x16A 400V 3/Schuko 16A 230V	
47640	85096	7450.9.12ST4QUATTRO.2M25	2/M25	unfused	9/Schuko 16A 230V	

Design the optimum solution for your requirements with our engineers.



Series 7700



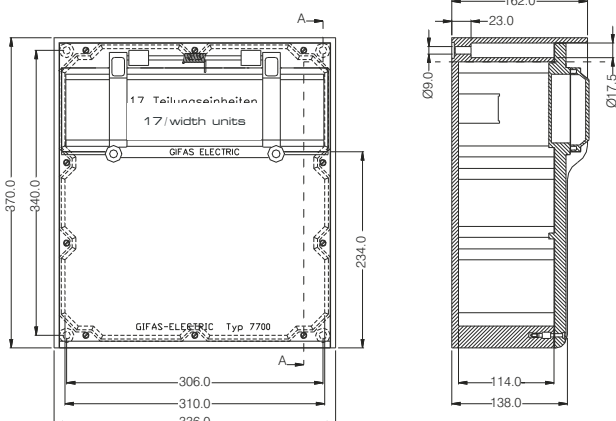
Technical data

Width x height x depth	336 x 370 x 162 mm
Type of protection	IP44 (up to IP65 possible)
Housing material	Solid rubber (vulcanised butyl rubber) available in black or grey
Specifications of the housing	Halogen-free, UV-resistant, resistant to oils and various acids and alkalis
Gasket seal	Foamed polyurethane gasket seal
Cover fixing	Stainless steel screw TORX T15 A4 for 17 width units
Macrolon cover	
Protective insulation	4-way wall mounting outside the wiring space partitioned off

Equipment examples

EDP No.	EDP No. F&B	Product ID No.	Entry	Fusing	Equipment	
60668	85099	7731937.0,03.63.XF.G/A.912022.ETA.1M32.	1/M32	1/MCB 3pol. 32A 1/MCB 3pol. 16A 3/MCB 1pol. 16A 1/RCD 4pol. 63/0,03A Type G/A 1/MCB 1pol. 2A 1/ETA 5A	1/CEE 5x32A 400V 1/CEE 5x16A 400V 3/Schuko 16A 230V (24V separated from 230V partition) 1/transformer 120VA 230/24V 2/CEE 2x16A 24V	
106067	85101	7769.31937.0,03.63.XF.G/A.5HKL16.1M32.	1/M32	1/MCB 3pol. 63A 1/MCB 3pol. 32A 1/MCB 3pol. 16A 3/MCB 1pol. 16A 1/RCD 4pol. 63/0,03A Type G/A	1/CEE 5x63A 400V 1/CEE 5x32A 400V 1/CEE 5x16A 400V 3/Schuko 16A 230V	
87893	85103	7763394G7.0,03.63.XF.G/A.1M32.	1/M32	1/MCB 3pol. 63A 2/MCB 3pol. 32A 2/MCB 1pol. 16A 1/RCD 4pol. 63/0,03A Type G/A	1/CEE 5x63A 400V 2/CEE 5x32A 400V 4/Schuko 16A 230V	
89828	85105	77631937.0,03.63.XF.G/A.5HKL16.2M40.	2/M40	1/MCB 3pol. 63A 1/MCB 3pol. 32A 1/MCB 3pol. 16A 3/MCB 1pol. 16A 1/RCD 4pol. 63/0,03A Type G/A	1/CEE 5x63A 400V 1/CEE 5x32A 400V 1/CEE 5x16A 400V 3/Schuko 16A 230V	
85630	110507	77311947.0,03.63.XF.G/A.1M32.	1/M32	1/MCB 3pol. 32A 2/MCB 3pol. 16A 4/MCB 1pol. 16A 1/RCD 4pol. 63/0,03A Type G/A	1/CEE 5x32A 400V 2/CEE 5x16A 400V 4/Schuko 16A 230V	
75613	85107	77111192G7.0,03.63.XF.G/A.1M40.	1/M40	4/MCB 3pol. 16A 1/MCB 1pol. 16A 1/RCD 4pol. 63/0,03A Type G/A	4/CEE 5x16A 400V 2/Schuko 16A 230V	

Design the optimum solution for your requirements with our engineers.



Series 7750



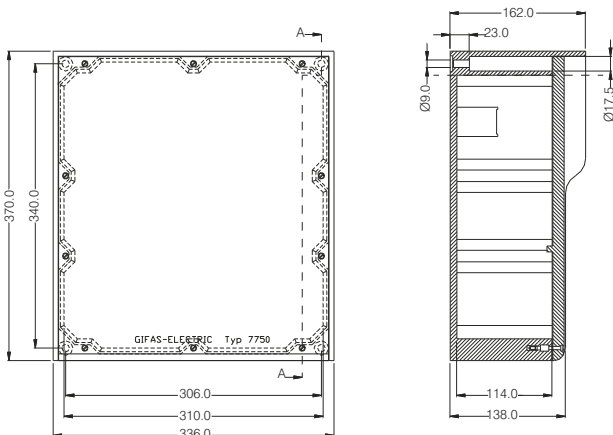
Technical data

Width x height x dept	336 x 370 x 162 mm
Type of protection	IP44 (up to IP65 possible)
Housing material	Solid rubber (vulcanised butyl rubber)
Specifications of the housing	Halogen-free, UV-resistant, resistant to oils and various acids and alkalis
Gasket seal	Foamed polyurethane gasket seal
Cover fixing	Stainless steel screw TORX T15 A4
Protective insulation	4-way wall mounting outside the wiring space partitioned off

Equipment examples

EDP No.	EDP No. F&B	Product ID No.	Entry	Fusing	Equipment	
60665	85109	7750.633111.4.2M20.2M25.1M32	1/M32 2/M25 1/M20 1/M20	unfused	1/CEE 5x63A 400V 2/CEE 5x32A 400V 3/CEE 5x16A 400V 4/Schuko 16A 230	
60666	85110	7750.111111.5.SAK4.2M25	1/M25 1/M25	unfused	5/CEE 5x16A 400V 5/Schuko 16A 230V	
60667	85112	7750.311.4.4KN. A200.7M20.1M25	1/M25 2/M20 1/M20 4/M20	unfused	1/CEE 5x32A 400V 2/CEE 5x16A 400V 4/Schuko 16A 230V 4/on-off-switch	
60688		7750.92CEE77.30MA.10A.TEL. TV		2/MCB 1pol. 10A 2/RCD 2pol. 25/ 0.03A Type A	2/CEE 3x16A 230V 1/Telephone socket 2/Socket for antenna	

Design the optimum solution for your requirements with our engineers.



Series 3800 / 3900 with Macrolon cover



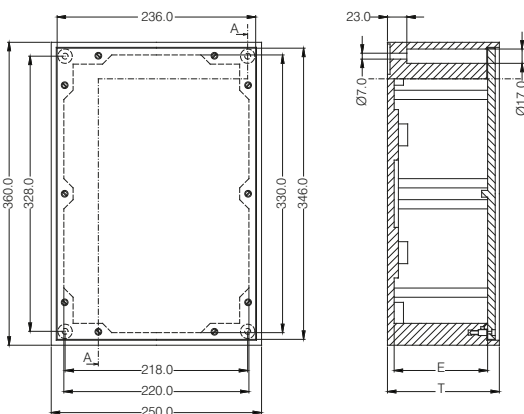
Technical data

Width x height x depth	Series 3800: 250 x 360 x 133 mm Series 3900: 250 x 360 x 173 mm
Type of protection	IP44 (up to IP65 possible)
Housing material	Solid rubber (vulcanised butyl rubber)
Specifications of the housing	Halogen-free, UV-resistant, resistant to oils and various acids and alkalis
Gasket seal	Foamed polyurethane gasket seal
Cover fixing	Stainless steel screw TORX T15 A4
Macrolon cover	for 9 / 11 / 13 / 17 width units (see solid rubber boxes chapter page 16)
Protective insulation	4-way wall mounting outside the wiring space partitioned off

Equipment examples

EDP No.	EDP No. F&B	Product ID No.	Entry	Fusing	Equipment	
111509	110509	3892.4CEE7.0.03.40.SP.10SAK6.2M25. (Macrolon cover 1x 11 TE)	2/M25	6/MCB 1pol. 16A 1/RCD 4pol. 40/0.03A Type A	4/CEE 3x16A 230V 2/Schuko 16A 230V	
102690	110510	3931937.0.03.63.XF.G/A.1M40. (Macrolon cover 2x 9 TE)	1/M40	1/MCB 3pol. 32A 1/MCB 3pol. 16A 3/MCB 1pol. 16A 1/RCD 4pol. 63/0.03A Type G/A	1/CEE 5x32A 400V 1/CEE 5x16A 400V 3/Schuko 16A 230V	
111511	110511	3911G98G7.0.03.40.SP.MP:1M32. (Macrolon cover 1x 11 TE)	1/M32	1/MCB 3pol. 16A 2/MCB 1pol. +MP 16A 1/RCD 4pol. 40/0.03A Type A	2/CEE 5x16A 400V 8/Schuko 16A 230V	
73316	110512	39603937.0.03.63.XF.G/A.GMZE.01 (Macrolon cover 2x 9 TE)	2/M40	1/MCB 3pol. 32A 3/MCB 1pol. 16A 1/Fusing 3pol. 63A 1/RCD 4pol. 63/0.03A Type G/A	1/CEE 5x63A 400V 1/CEE 5x32A 400V 3/Schuko 16A 230V	

Design the optimum solution for your requirements with our engineers.



Series	3800	3900
Assembly dimension (E)	110	150
Depth (T)	133	173

Series 3800 / 3900



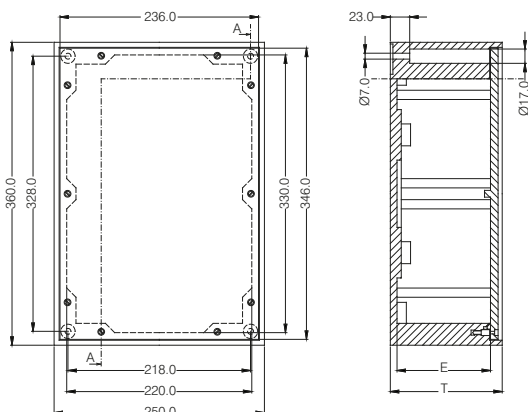
Technical data

Width x height x depth	Series 3800: 250 x 360 x 133 mm Series 3900: 250 x 360 x 173 mm
Type of protection	IP44 (up to IP65 possible)
Housing material	Solid rubber (vulcanised butyl rubber)
Specifications of the housing	Halogen-free, UV-resistant, resistant to oils and various acids and alkalis
Gasket seal	Foamed polyurethane gasket seal
Cover fixing	Stainless steel screw TORX T15 A4
Protective insulation	4-way wall mounting outside the wiring space partitioned off

Equipment examples

EDP No.	EDP No. F&B	Product ID No.	Entry	Fusing	Equipment	
92099	110513	3800.3.11.4.EKL.2M20.1M25.1M32	1/M32 1/M25 2/M20	unfused	1/CEE 5x32A 400V 2/CEE 5x16A 400V 4/Schuko 16A 230V	
104576	110514	3800.3.1.2.241629.EKL.2M20.4M25.3BST	4/M25 +2/BST 2/M20 + 1/BST	unfused	1/CEE 5x32A 400V 1/CEE 5x16A 400V 2/Schuko 16A 230V 1/CEE 2x16A 24V	
86640	110515	381111.1.LUFT.HÄNGE.GAB.2008.01	2/M25 1/Air conn. 1/2"	unfused	4/CEE 5x16A 400V 1/Schuko 16A 230V 4/air connections 1/2"	
93641		3900.6.5HKL35.1M16.2M50.PE.2M	2/M50 1/M16	unfused	1/CEE 5x63A 400V	

Design the optimum solution for your requirements with our engineers.



Series	3800	3900
Assembly dimension (E)	110	150
Depth (T)	133	173

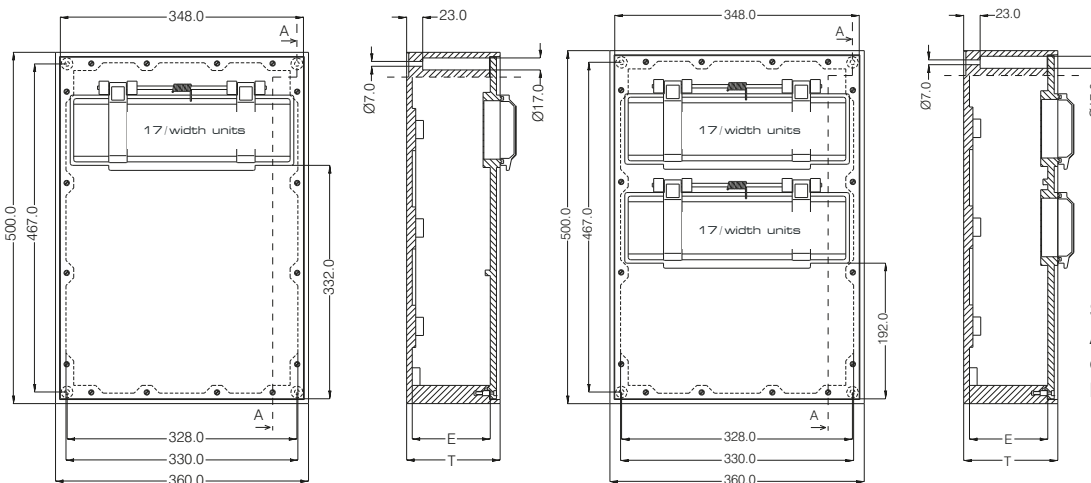
Series 7800 / 7900 with Macrolon cover



Technical data

Width x height x depth	Series 7800: 360 x 500 x 133 mm Series 7900: 360 x 500 x 173 mm
Type of protection	IP44 (up to IP65 possible)
Housing material	Solid rubber (vulcanised butyl rubber)
Specifications of the housing	Halogen-free, UV-resistant, resistant to oils and various acids and alkalis
Gasket seal	Foamed polyurethane gasket seal
Cover fixing	Stainless steel screw TORX T15 A4
Macrolon cover	for 2 x 17 width units
Protection insulation	4-way wall mounting outside the wiring space partitioned off

Equipment examples						
EDP No.	EDP No. F&B	Product ID No.	Entry	Fusing	Equipment	
101439	110516	7831196G7.0,03.63.XF.G/A.1M40.	1/M40	1/MCB 3pol. 32A 2/MCB 3pol. 16A 3/MCB 1pol. 16A 1/RCD 4pol. 63/0.03A Type G/A	1/CEE 5x32A 400V 2/CEE 5x16A 400V 6/Schuko 16A 230V	
101057	110517	78311937.0,03.63.XF.G/A.912022.ETA.1M40.	1/M40	1/MCB 3pol. 32A 2/MCB 3pol. 16A 3/MCB 1pol. 16A 1/MCB 1pol. 2A 1/RCD 4pol. 63/0.03A Type G/A	1/CEE 5x32A 400V 2/CEE 5x16A 400V 3/Schuko 16A 230V 2/CEE 2x16A 24V 1/transformer 120VA 230/24V	
67917	110518	783311947.0,03.63.XF.G/A.1M40.	1/M40	2/MCB 3pol. 32A 2/MCB 3pol. 16A 4/MCB 1pol. 16A 1/RCD 4pol. 63/0.03A Type G/A	2/CEE 5x32A 400V 2/CEE 5x16A 400V 4/Schuko 16A 230V	
101269	110519	79631937.0,03.63.XF.G/A.EXT.2KN.4M20.1M40.BST.	1/M40 4/M20 +2BST	1/MCB 3pol. 63A 1/MCB 3pol. 32A 1/MCB 3pol. 16A 6/MCB 1pol. 16A (1/reserve) 1/RCD 4pol. 63/0.03A Type G/A	1/CEE 5x63A 400V 1/CEE 5x32A 400V 1/CEE 5x16A 400V 3/Schuko 16A 230V 2/ on-off-switch 0-1	
87379	110520	796339.11927.0,03.63.XF.G/A.5HKL16.1M40.	1/M40	1/MCB 3pol. 63A 2/MCB 3pol. 32A 2/MCB 3pol. 16A 2/MCB 1pol. 16A 1/RCD 4pol. 63/0.03A Type G/A	1/CEE 5x63A 400V 2/CEE 5x32A 400V 2/CEE 5x16A 400V 2/Schuko 16A 230V	



Design the optimum solution for your requirements with our engineers.

Series	7800	7900
Assembly dimension (E)	110	150
Depth (T)	133	173

Series 7800 / 7900



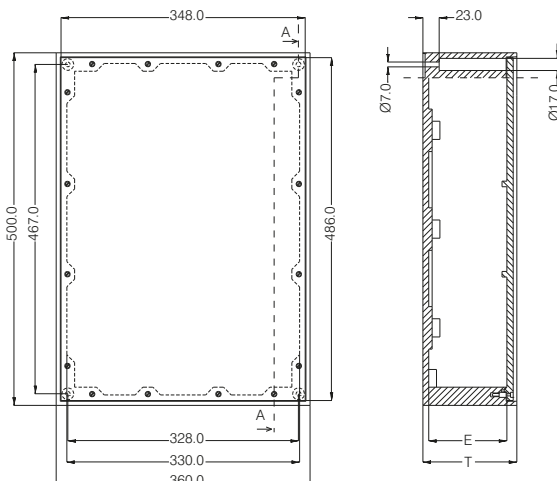
Technical data

Width x height x depth	Series 7800: 360 x 500 x 133 mm Series 7900: 360 x 500 x 173 mm
Type of protection	IP44 (up to IP65 possible)
Housing material	Solid rubber (vulcanised butyl rubber)
Specifications of the housing	Halogen-free, UV-resistant, resistant to oils and various acids and alkalis
Gasket seal	Foamed polyurethane gasket seal
Cover fixing	Stainless steel screw TORX T15 A4
Protective insulation	4-way wall mounting outside the wiring space, partitioned off

Equipment examples

EDP No.	EDP No. F&B	Product ID No.	Entry	Fusing	Equipment	
45816	110521	7931.3.025022.ETA.EKL.4M	1/M32 1/M25 2/M20	unfused	1/CEE 5x32A 400V 1/CEE 5x16A 400V 3/Schuko 16A 230V 2/CEE 2x16A 24V 1/transformer 250VA 230/24V 1/Glass tube fuse 3A	
42315	110522	799311.2.NA.TEL.SAK.8M	1/M63 1/M32 2/M25 3/M20 1/M16	unfused	1/CEE 5x125A 400V 1/CEE 5x32A 400V 2/CEE 5x16A 400V 2/Schuko 16A 230V 1/emergency pushbutton 1/telephone socket RJ45	

Design the optimum solution for your requirements with our engineers.



Series	7800	7900
Assembly dimension (E)	110	150
Depth (T)	133	173

Series 7800 / 7900 with door



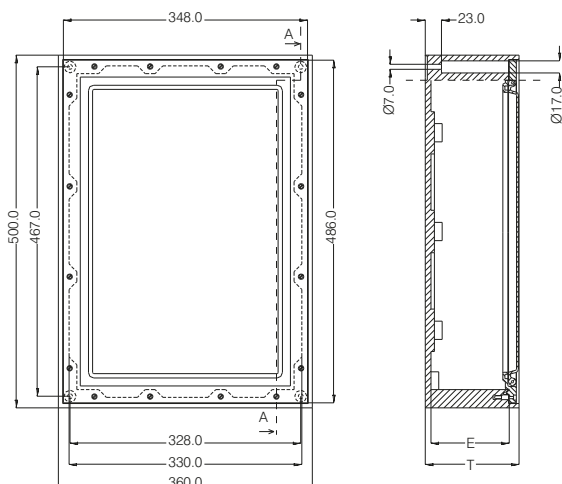
Technical data

Width x height x depth	Series 7800: 360 x 500 x 133 mm Series 7900: 360 x 500 x 173 mm
Type of protection	IP44
Housing material	Solid rubber (vulcanised butyl rubber)
Specifications of the housing	Halogen-free, UV-resistant, resistant to oils, various acids and alkalis
Gasket seal	Foamed polyurethane gasket seal
Cover fixing	Hinge / rotating lock
Appliances cut out 45mm	maximum 36 width units
Protective insulation	4-way wall mounting outside the wiring space partitioned off

Equipment examples

EDP No.	EDP No. F&B	Product ID No.	Entry	Fuse	Equipment
77493	110523	79TI1917.0.03.XF.G/A.EXT. LS32A.2M32.	2/M32	1/MCB 3pol. 32A 1/MCB 3pol. 16A 1/MCB 1pol. 16A 1/RCD 4pol. 63/0.03A Type G/A	1/CEE 5x16A 400V 1/Schuko 16A 230V
77490	110524	79TIS.1192.1M32.	1/M32	2/MCB 3pol. 16A 2/MCB 1pol. 16A	2/CEE 5x16A 400V 2/Schuko 16A 230V
88729	110525	79TI31927.0.03.63.XF.G/A. RIEGEL.2DREHR.1M40.ALU.	1/M40	1/MCB 3pol. 32A 1/MCB 3pol. 16A 2/MCB 1pol. 16A 1/RCD 4pol. 63/0.03A Type G/A	1/CEE 5x32A 400V 1/CEE 5x16A 400V 2/Schuko 16A 230V
77491	110526	79TIS.1947.0.03.XF.G/A.2LS.2KN.EXT.	1/M32 2/M20	1/MCB 3pol. 16A 6/MCB 1pol. 16A 1/RCD 4pol. 63/0.03A Type G/A	1/CEE 5x16A 400V 4/Schuko 16A 230V 1/on-off-switch 0-1 1/Switch Hand-0-Auto

Design the optimum solution for your requirements with our engineers.



Series	7800	7900
Assembly dimension (E)	110	150
Depth (T)	133	173

Application examples / customer solutions



EDP No. 69472



EDP No.56161



EDP No. 85806



EDP No.88184



EDP No. 89670



EDP No. 87193 / 87194



EDP No. 79898



EDP No. 85348 / 87235 / 91387

Application examples / customer solutions



EDP No. 88344



Series 5036A



EDP No. 90905 / 90906



EDP No. 53828 / 62078

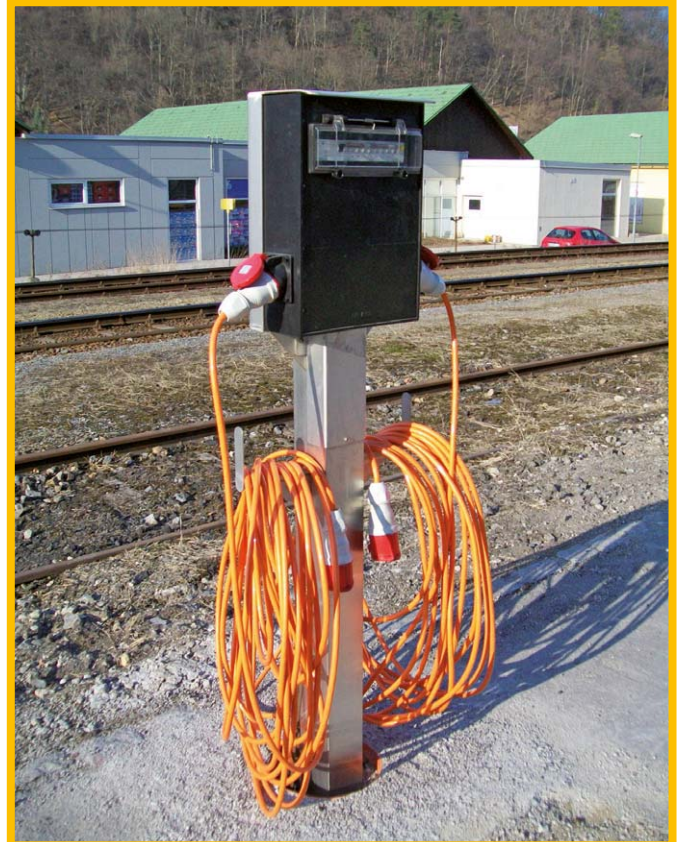


EDP No. 90184

Application examples / customer solutions



EDP No. 85887



EDP No. 93927



EDP No. 82242



EDP No. 83339

CONTACT US



GIFAS
ELECTRIC

GIFAS ELECTRIC
Gesellschaft m.b.H
Strass 2
5301 Eugendorf
AUSTRIA

🌐 www.gifas.at
✉ verkauf@gifas.at
☎ +43 6225/7191-0
☎ +49 8654/404-2000

SYSTEMATIC QUALITY

Boxes with safety and isolator switches



Boxes with safety and isolator switches

Pages 4 - 6

Emergency stop button



Page 4

Main switch / mains switch



Page 4

Main switch / repair switch



Page 5

Safety switches



Page 5

Control panel



Page 6

Main switch / mains switch



Page 6

Boxes with safety and isolator switches

Pages 7 - 8

Main switch box with built-in work sockets



Page 7

Safety switches



Page 7

Control panel



Page 8

Application examples

Page 9

Application examples



Page 9

Optimum safety – for people and machinery

The safety of your employees is guaranteed by complying with safety regulations and instructions.

Five safety rules:

1. switch off
2. lock against reclosure
3. check that lines and equipment is dead
4. ground and short circuit phases
5. cover, partition or screen of adjacent line sections

Isolator switch

Definition

Isolator switches must disconnect all poles, and do not have offbreaking capacity. It is designed in such a way that they are impossible to switch on again by mistake. The switchgear should be black.

Main switch / Repair switch

(main switches for power supply of machines and lifting devices)

Definition

These main switches cannot be used as emergency isolator switches. The switchgear should be black. It must be possible to connect and disconnect all poles and to lock the switch in the OFF position, e.g. by using a padlock.

Safety switch with emergency function

Definition

This main switch can be used as an emergency switch. The color of the switchgear must be red, with a yellow base. It must be possible to lock the switch in the OFF position, e.g. by using a padlock.

GIFAS enables you to comply with the authorities regulations without limiting comfort.

Even in exposed locations, the combination of switches, operational equipment, and signalling devices installed in solid rubber boxes is the ideal installation solution.

Emergency stop button



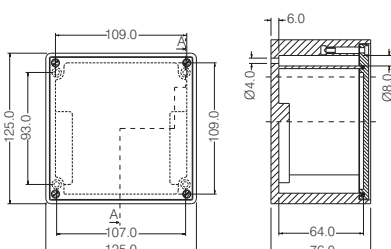
Technical data

Width x height x depth	125 x 125 x 76 mm (Dimensions without installations)
Cabinet	Solid rubber Series 1212
Entry	1/cable gland M20
Model	1/self locking emergency button (emergency button with key available) contacts: 1 opener
Type of protection	IP65

EDP No.	Product ID No.
66806	1212.NOT-AUS.1Ö.1M20.IP65

Mounting equipment supplied by you can be incorporated into the selected box during production.

Including individual engraving (max. 20 characters).



Main switch / mains switch



Technical data

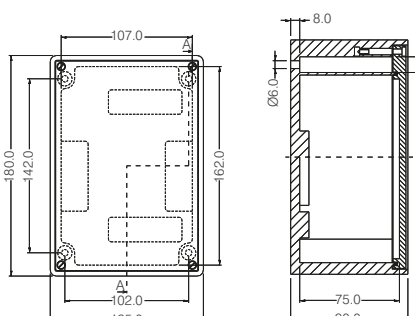
Width x height x depth	125 x 180 x 90 mm (Dimensions without installations)
Cabinet	Solid rubber Series 1812
Entry	2/cable glands M20
Model	1/switch 3 pole switch, black handle (with maximum use of 3 padlocks) AC-21A 20A, AC-23B 5.5kW 690V
Type of protection	IP65

EDP No.	Product ID No.
48619	1812.KG10B.T103.2M20

Other operating capacities on request.

Mounting equipment supplied by you can be incorporated into the selected box during production.

Including individual engraving (max. 20 characters).



Main switch / repair switch

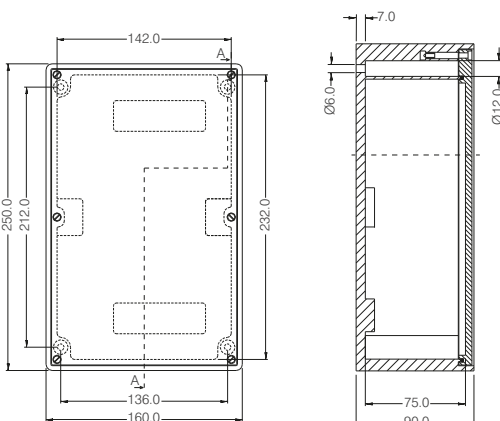


Technical data

Width x height x depth	160 x 250 x 90 mm (Dimensions without installations)
Cabinet	Solid rubber Series 2516
Entry	2/cable glands M25
Model	1/switch 3 pole switch, black handle (with maximum use of 3 padlocks) AC-21A 25A, AC-23B 7.5kW 690V
Type of protection	IP65

EDP No.	Product ID No.
48620	2516.1KG20B.T103.2M25

Other rated operating capacities on request.
Mounting equipment supplied by you can be incorporated into the selected box during production.
Including individual engraving (max. 20 characters).



Safety switches

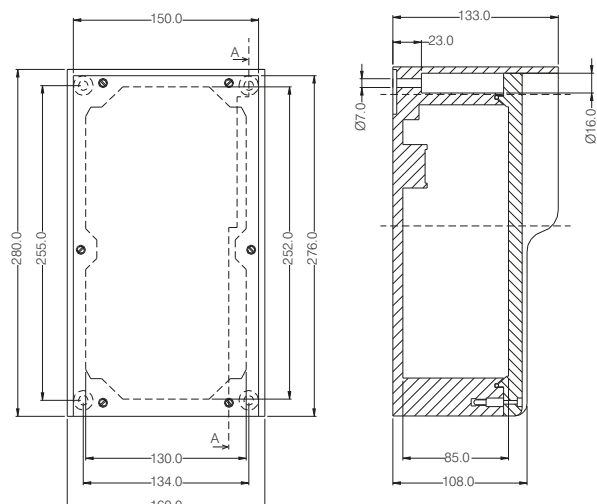


Technical data

Width x height x depth	160 x 280 x 133 mm (Dimensions without installations)
Cabinet	Solid rubber Series 7250
Entry	2/cable glands M20 (1x with blind plug) 2/cable glands M32 2/screen clamps for Ø 10-20 mm
Model	1/switch 3 pole switch red / yellow handle (with maximum use of 3 padlocks) AC-21A 80A, AC-23A 37kW, 400V, AC-23A 18.5kW 690V inclusive 2 auxiliary contact 1 S + 1 Ö
Type of protection	IP65

EDP No.	Product ID No.
78659	7250.ZPA.18,5KW.M32.FU

Other operating capacities on request.
Mounting equipment supplied by you can be incorporated into the selected box during production.
Including individual engraving (max. 20 characters).



Control panel with built-in main emergency switch



Technical data

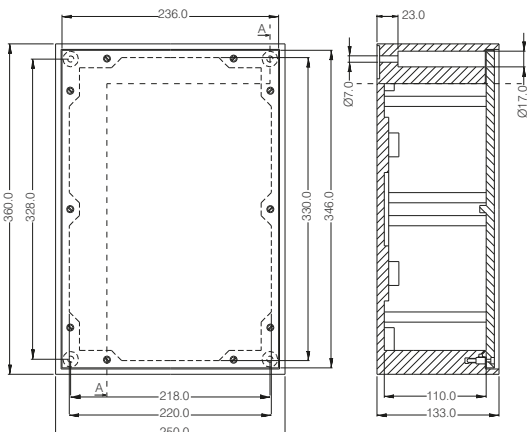
Width x height x depth	250 x 360 x 133 mm (Dimensions without installations)
Cabinet	Solid rubber Series 3800
Entry	2/cable glands M20 2/cable glands M32
Model	1/switch, 3/pole switch yellow / red handle (with maximum use of 3 padlocks) AC-21A 32A, AC-23B 11kW 690V including 2 / auxiliary contacts 1/control button START-RIGHT 1/control button START-LEFT 1/control button STOP Clamp wired connection
Type of protection	IP65

EDP No.	Product ID No.
47840	3800.ANTRIEB.093

Other operating capacities on request.

Mounting equipment supplied by you can be incorporated into the selected box during production.

Including individual engraving (max. 20 characters).



Main switch / mains switch



Technical data

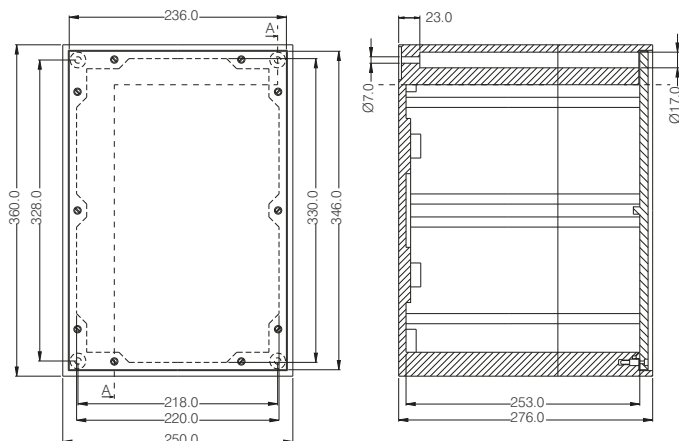
Width x height x depth	250 x 360 x 276 mm (Dimensions without installations)
Cabinet	Solid rubber Series 3900
Entry	1/cable gland M25 2/cable glands M40
Model	1/switch 3 pole switch black handle (with maximum use of 3 padlocks) AC-21A 150A, AC-23A 75kW 400V Outlet in neutral position (0)
Type of protection	IP65

EDP No.	Product ID No.
48706	3900.RECHENREINIGUNG

Other operating capacities on request.

Mounting equipment supplied by you can be incorporated into the selected box during production.

Including individual engraving (max. 20 characters).



Main switch box with built-in work sockets



Technical data

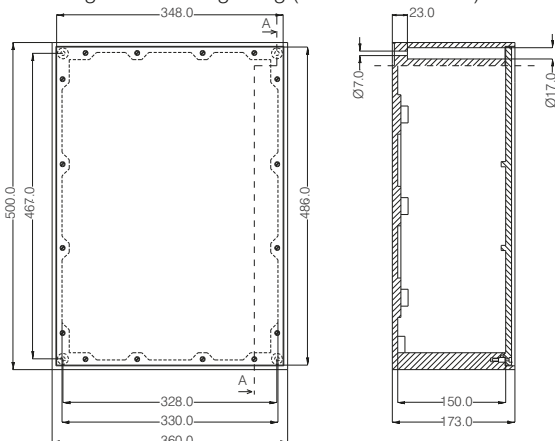
Width x height x depth	360 x 500 x 173 mm (Dimensions without installations)
Cabinet	Solid rubber Series 7900 (1 Viewing window with 17 TE)
Entry	1/cable gland M16 3/cable glands M20 2/cable glands M32
Model	1 main power switch 3 pole, black handle (with maximum use of 3 padlocks) AC-21A 25A, AC-23A 15kW 400V 1/auxiliary power switch 2 pole black handle (with maximum use of 3 padlocks) AC-21A 20A, AC-23A 3.7kW 230V Power supply earthing in neutral position (0)
Work sockets	1/Schuko socket 16A 230V 1/CEE-Socket 5x32A 400V with LS and FI fused sockets
Type of protection	IP44 (IP65 possible)

EDP No.	EDP No. F&B	Product ID No.
48708	85050	7900.LASTENAUFZUG

Other operating capacities on request.

Mounting equipment supplied by you can be incorporated into the selected box during production.

Including individual engraving (max. 20 characters).



Safety switch



Technical data

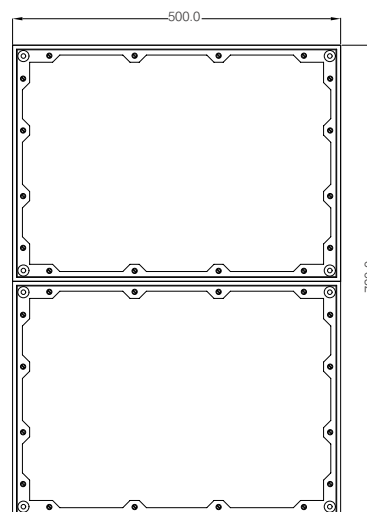
Width x height x depth	500 x 720 x 173 mm (Dimensions without installations)
Cabinet	Solid rubber Series 2x7900 with transparent Cover
Entry	2/ cable glands M20 (1x with blind plug) 2/ cable glands M50
Model	1 main power switch 3 pole, yellow / red handle (with maximum use of 3 padlocks) AC-21A 200A, AC-23 110kW 400V, AC-23 200kW 690V inclusive 2 auxiliary contact 1 S + 1 Ö 2/screen clamps for Ø20-37 mm
Type of protection	IP65

EDP No.	Product ID No.
85608	2.7900.ZPA.190KW.2M50.FU

Other operating capacities on request.

Mounting equipment supplied by you can be incorporated into the selected box during production.

Including individual engraving (max. 20 characters).



Control unit with built-in emergency main switch



Technical data

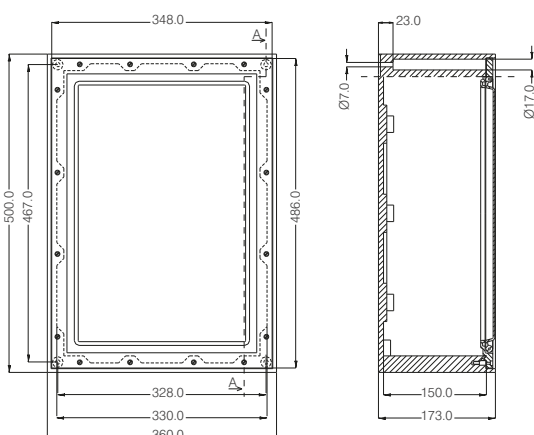
Width x height x depth	360 x 500 x 173 mm (Dimensions without installations)
Cabinet	Solid rubber Series 7900 with door
Entry	2/ cable glands M40 2/ cable glands M20
Model	1 main power switch 3 pole, yellow / red handle (with maximum use of 3 padlocks) AC-21A 100A, AC-23B 37kW 400V incl. 2 auxiliary pre-mating closing contacts 1/control button: START 1/control button: STOP Fully wired clamps ready to be connected The rotating locks and the switch with door clutches allow easy and quick access to the internal part of the box for alterations and tests.
Type of protection	IP54

EDP No.	Product ID No.
48707	7900.T.MOTOR.30KW

Other operating capacities on request.

Mounting equipment supplied by you can be incorporated into the selected box during production.

Including individual engraving (max. 20 characters).



Application examples / customer solutions



EDP No. 50433, 79323, 54522, 50436 (11 - 37kW 690V)



EDP No.101321 (630kW 690V)



EDP No. 86378 (200kW 690V)



EDP No. 63894, 64099 (75kW 690V)



EDP No. 74065 (390kW 690V)



EDP No. 76041

CONTACT US



GIFAS
ELECTRIC

GIFAS ELECTRIC
Gesellschaft m.b.H
Strass 2
5301 Eugendorf
AUSTRIA

🌐 www.gifas.at
✉ verkauf@gifas.at
☎ +43 6225/7191-0
☎ +49 8654/404-2000

SYSTEMATIC QUALITY

Portable solid rubber junction boxes



Portable solid rubber small distributor

Pages 4 - 5

Series 1800



Page 4

Series 1400



Page 5

Portable solid rubber distributor

Pages 6 - 12

Series 6200



Page 6

Series 6700



Page 7

Series 3500



Page 8

Series 4000



Page 9

Series 7400 / 7700



Page 10

Series 7900



Page 11

Operating hour counter Portable electricity meter

Pages 13 - 15

Series 2100



Page 13

Series 1812 with counter



Page 13

Series 6200 with counter



Page 14

Series 6700 with counter



Page 14

Series 7400 with counter



Page 15

Series 7900 with counter



Page 15

Application examples

Pages 16 - 17

Application examples



Pages 16 - 17

Series
2 / 4x7900



Page 12

Solid rubber material

- Superior stability: shatterproof, impact resistant, stable form and resistant to ageing.
- Integrated wall mounting provides protective insulation - separated from the wired area.
- Captive stainless steel top screws.
- No corrosion.
- Dust-tight and protected against water jets (IP65).
- No condensation (even where there are significant temperature fluctuations).
- High temperature resistance from -30° up to +80°C..
- Resistant to chemicals (oils, fat, many acids and caustics). Weather-, UV- and ozone-resistant.
- The special mixture of butyl rubber is self-extinguishing, and does not contain silicone or halogen. In case of fire it produces little smoke. No release of caustic or toxic materials.
- Tested quality. $\text{C} \in \text{CE} \text{ (VDE) T}$

For universal application

- Fast on-site assembly. Adhesive drilling jig, dowel plugs and screws included (only for Series 1010, 1212, 1616, 1812, 2516 and 3020).
- Solid rubber box can be adapted easily with conventional tools such as spiral drilling machines, step drills, milling cutters etc.
- Cable glands can be placed wherever they are needed for clean installation.
- Time-saving retrofitting on boxes that have already been installed.
- No fixed installation points on the base. You can choose where to place the partitions.
- Easy adjustment of built-in units with chipboard screws.
- All conventional clamps or binders can be built in.
- The front panel, made of polycarbonate or solid rubber, is easy to work with.
- Keys, switches, control switch and recording devices can also be quickly installed.

Safe, indestructible

- Suitable for all fields of application in industry and services.
- Suitable for dry and damp areas.
- Suitable for outdoor use, protected from rain, snow and sun.
- Manufactured to your specification (with attached cable glands, standard binders, switches, keys, as well as Schuko and CEE socket or other plug-in systems).
- On request: engraving or labelling for identification or operation and technical references.

Series 1800



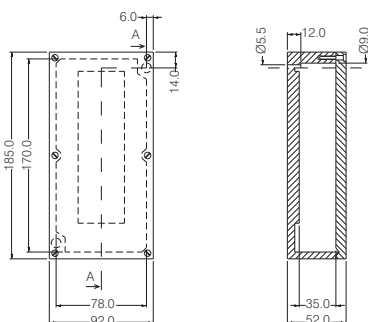
Technical data

Width x height x depth	92 x 185 x 52 mm
Type of protection	IP44
Housing material	Solid rubber (vulcanised butyl rubber)
Specifications of the housing	Halogen-free, UV-resistant, resistant to oils and various acids and alkalis
Gasket	Foamed polyurethane gasket
Cover fixing	Stainless steel cross-head screw

Portable wired solid rubber distributor - ready for operation.

Equipment examples Series 1800					
EDP No.	EDP No. F&B	Product ID No.	Entry	Fusing	Equipment
82241	85116	183.S5.GG	5 m connection cable 3x1.5 mm ² and Schuko plug	unfused	3/Schuko 16A 230V
79138	85117	183.S10.GG	10 m connection cable 3x1.5 mm ² and Schuko plug	unfused	3/Schuko 16A 230V

Design the optimum solution for your requirements with our engineers.
Engraving is possible.



Series 1400








Technical data

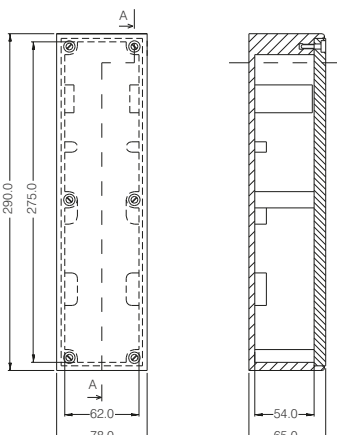
Width x height x depth	78 x 290 x 64 mm
Type of protection	IP44
Housing material	Solid rubber (vulcanised butyl rubber)
Cover	Polycarbonat
Specifications of the housing	Halogen-free, UV-resistant, resistant to oils, various acids and alkalis
Gasket	Solid rubber round cord
Cover fixing	Stainless steel cross-head screw
Macrolon cover	with or without Makrolon cover for 2 modules depending on type

Portable wired solid rubber distributor - ready for operation.

Equipment examples Series 1400

EDP No.	EDP No. F&B	Product ID No.	Entry	Fusing	Equipment
67084	85119	1400.4.S5.GG.HASPEL	5 m connection cable 3x1.5 mm ² with mounted Schuko plug and cable hasp	unfused	4/Schuko 16A 230V 
70249	85122	1400.4.S5.GG	5 m connection cable 3x1.5 mm ² with Schuko plug without cable hasp	unfused	4/Schuko 16A 230V 
74329	85123	1400.4.S10.GG	10 m connection cable 3x1.5 mm ² with Schuko plug without cable hasp	unfused	4/Schuko 16A 230V 
62067	85124	1400.27.0.03.S5.GG.HASPEL.	5 m connection cable 3x1.5 mm ² with mounted Schuko plug and cable hasp	1/RCD 2pol. 25/0.03A type A	2/Schuko 16A 230V 
82239	85125	1400.27.0.03.FILS.S5.GG.HASPEL.	5 m connection cable 3x1.5 mm ² with Schuko-plug and cable hasp	1/combi-switch RCBO 2pol. 16A/ 0.03A type A	2/Schuko 16A 230V 

Design the optimum solution for your requirements with our engineers.
Engraving is possible.



Series 6200 (stackable)



Technical data

Width x height x depth	280 x 276 x 230 mm
Type of protection	IP44 (up to IP65 possible)
Housing material	Solid rubber (vulcanised butyl rubber)
Specifications of the housing	Halogen-free, UV-resistant, resistant to oils and various acids and alkalis
Gasket	Foamed polyurethane gasket
Cover fixing	Knurled screws
Contour of the appliance	45 mm maximum 7 width units

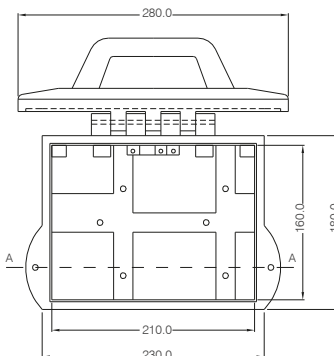
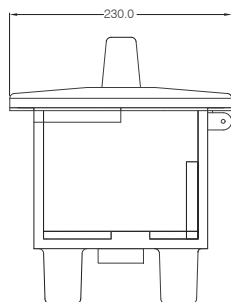
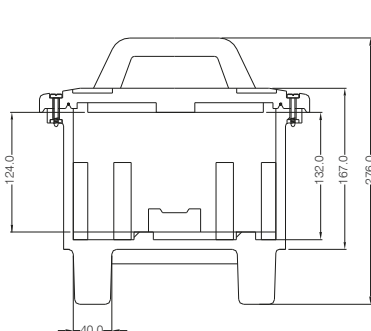
Portable wired solid rubber distributor - ready for operation.

Equipment examples Series 6200

EDP No.	EDP No. F&B	Product ID No.	Entry	Fusing	Equipment
111516	85142	6216137.0,03.GG.	3 m connection cable 5x2.5 mm ² with solid rubber CEE-plug 5x16A 400V	unfused unfused 1/RCD 4pol. 40/0.03A type A	1/CEE 5x16A 400V 3/Schuko 16A 230V
103204	85144	62161147.0,03.40.SP.GG.	3 m connection cable 5x2.5 mm ² with solid rubber CEE-plug 5x16A 400V	unfused unfused 1/RCD 4pol. 40/0.03A type A	2/CEE 5x16A 400V 4/Schuko 16A 230V
92954	85145	6232957.0,03.SP.GG.	3 m connection cable 5x4.0 mm ² with solid rubber CEE-plug 5x32A 400V	5/MCB 1pol. 16A 1/RCD 4pol. 40/0.03A type A	5/Schuko 16A 230V
47757		6216111.GG	3 m connection cable 5x2.5 mm ² with solid rubber CEE-plug 5x16A 400V	unfused	3/CEE 5x16A 400V
47758		62323.119.GG.	3 m connection cable 5x4.0 mm ² with solid rubber CEE-plug 5x32A 400V	unfused 2/MCB 3pol. 16A	1/CEE 5x32A 400V 2/CEE 5x16A 400V

Design the optimum solution for your requirements with our engineers.

Including individual engraving (max. 20 characters).



Series 6700 (stackable)



Technical data

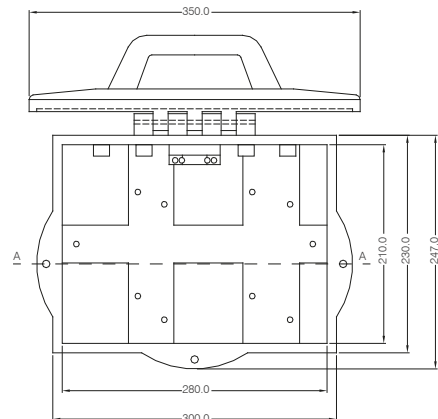
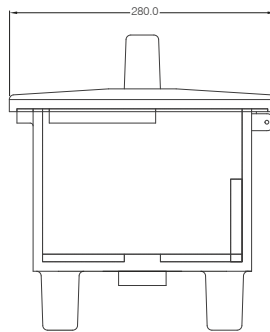
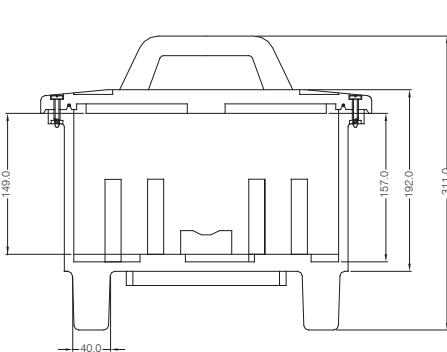
Width x height x depth	350 x 311 x 280 mm
Type of protection	IP44 (up to IP65 possible)
Housing material	Solid rubber (vulcanised butyl rubber)
Specifications of the housing	Halogen-free, UV-resistant, resistant to oils and various acids and alkalis
Gasket	Foamed polyurethane gasket
Cover fixing	Knurled screws
Contour of the appliance	45 mm maximum 20 width units

Portable wired solid rubber distributor - ready for operation.

Equipment examples Series 6700

EDP No.	EDP No. F&B	Product ID No.	Entry	Fusing	Equipment
111518	85129	6732997.0,03.SPGG.	3 m connection cable 5x4.0 mm ² with solid rubber CEE-plug 5x32A 400V	9/MCB 1pol. 1/RCD 4pol. 40/0.03A type A	9/Schuko 16A 230V
111520	85131	67323.11G937.0,03.SPGG.	3 m connection cable 5x4.0 mm ² with solid rubber CEE-plug 5x32A 400V	unfused 1/MCB 3pol. 16A 3/MCB 1pol. 16A 1/RCD 4pol. 40/0.03A type A	1/CEE 5x32A 400V 2/CEE 5x16A 400V 3/Schuko 16A 230V
111523	85134	6732333.94G7.0,03.SPGG.	3 m connection cable 5x4.0 mm ² with solid rubber CEE-plug 5x32A 400V	unfused 2/MCB 1pol. 16A 1/RCD 4pol. 40/0.03A type A	3/CEE 5x32A 400V 4/Schuko 16A 230V
70388	85137	6763333937.0,03.63.XF.G/A.	3 m connection cable 5x16 mm ² with solid rubber CEE-plug 5x63A 400V	3/MCB 3pol. 32A 3/MCB 1pol. 16A 1/RCD 4pol. 63/0.03A type G/A	3/CEE 5x32A 400V 3/Schuko 16A 230V
91881	85139	67633311947.0,03.63.XF.SPGG.	3 m connection cable 5x16 mm ² with solid rubber CEE-plug 5x63A 400V	2/MCB 3pol. 32A 2/MCB 3pol. 16A 4/MCB 1pol. 16A 1/RCD 4pol. 63/0.03A type A	2/CEE 5x32A 400V 2/CEE 5x16A 400V 4/Schuko 16A 230V

Design the optimum solution for your requirements with our engineers.
Including individual engraving (max. 20 characters).



Series 3500



Technical data

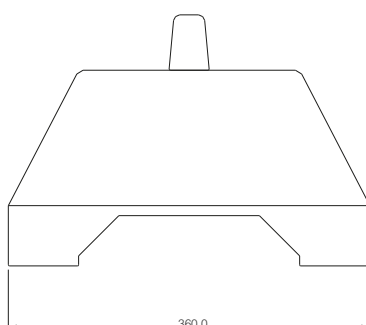
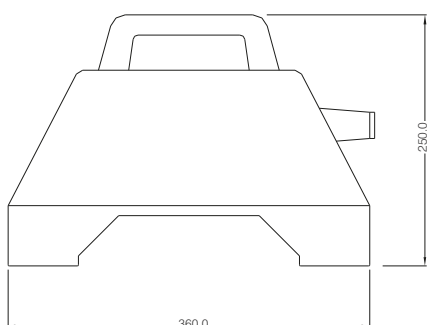
Width x height x depth	360 x 250 x 360 mm
Type of protection	IP44
Housing material	Solid rubber (vulcanised butyl rubber)
Specifications of the housing	Halogen-free, UV-resistant, resistant to oils and various acids and alkalis
Gasket	Solid rubber round cord
Cover fixing	Stainless steel cross-head screw
Macrolon cover	maximum 2x11 width units

Portable wired solid rubber distributor - ready for operation.

Equipment examples Series 3500						
EDP No.	EDP No. F&B	Product ID No.	Entry	Fusing	Equipment	
111525	129030	35321111947.0,03.40.XF.SP.GG.	3 m connection cable 5x4.0 mm ² with solid rubber CEE-plug 5x32A 400V	4/MCB 3pol. 16A 4/MCB 1pol. 16A 1/RCD 4pol. 40/0.03A type A	4/CEE 5x16A 400V 4/Schuko 16A 230V	
111526	129032	353233.11947.0,03.40.XF.SP.GG.	3 m connection cable 5x4.0 mm ² with solid rubber CEE-plug 5x32A 400V	unfused 2/MCB 3pol. 16A 4/MCB 1pol. 16A 1/RCD 4pol. 40/0.03A type A	2/CEE 5x32A 400V 2/CEE 5x16A 400V 4/Schuko 16A 230V	
47977	129033	35633333947.0,03.63.XF.SP.GG.	3 m connection cable 5x16 mm ² with solid rubber CEE-plug 5x63A 400V	4/MCB 3pol. 32A 4/MCB 1pol. 16A 1/RCD 4pol. 63/0.03A type A	4/CEE 5x32A 400V 4/Schuko 16A 230V	
46198	129034	35636.31967.0,03.63.XF.SP.GG.	3 m connection cable 5x16 mm ² with solid rubber CEE-plug 5x63A 400V	unfused 1/MCB 3pol. 32A 1/MCB 3pol. 16A 6/MCB 3pol. 16A 1/RCD 4pol. 63/0.03A type A	1/CEE 5x63A 400V 1/CEE 5x32A 400V 1/CEE 5x16A 400V 6/Schuko 16A 230V	
81314		35125.2X3012559.PC	3 m connection cable 5x35 mm ² with CEE-plug 5x125A 400V	unfused	2/CEE 5x125A 400V	

Design the optimum solution for your requirements with our engineers.

Including individual engraving (max. 20 characters).



Series 4000



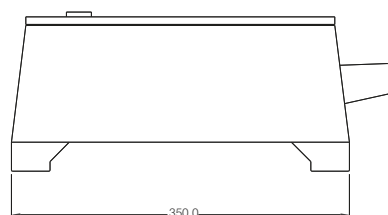
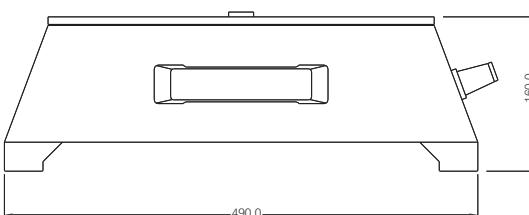
Technical data

Width x height x depth	490 x 160 x 350 mm
Type of protection	IP44
Housing material	Solid rubber (vulcanised butyl rubber)
Specifications of the housing	Halogen-free, UV-resistant, resistant to oils and various acids and alkalis
Gasket	Foamed polyurethane gasket
Cover fixing	Hinge / rotating lock
Contour of the appliance 45 mm	maximum 28 width units

Portable wired solid rubber distributor - ready for operation.

Equipment examples Series 4000					
EDP No.	EDP No. F&B	Product ID No.	Entry	Fusing	Equipment
67485	85159	40633311997.0,03.63.XF.G/A.	3 m connection cable 5x16 mm ² with solid rubber CEE-plug 5x63A 400V	2/MCB 3pol. 32A 2/MCB 3pol. 16A 9/MCB 1pol. 16A 1/RCD 4pol. 63/0.03A type G/A	2/CEE 5x32A 400V 2/CEE 5x16A 400V 9/Schuko 16A 230V
83918	85160	40636.333111967.0,03.63.XF.G/A.GG	3 m connection cable 5x16 mm ² with solid rubber CEE-plug 5x63A 400V	unfused 3/MCB 3pol. 32A 3/MCB 3pol. 16A 6/MCB 1pol. 16A 1/RCD 4pol. 63/0.03A type G/A	1/CEE 5x63A 400V 3/CEE 5x32A 400V 3/CEE 5x16A 400V 6/Schuko 16A 230V
48002	85162	40631111967.0,03.63.XF.G/A.GG.	3 m connection cable 5x16 mm ² with solid rubber CEE-plug 5x63A 400V	4/MCB 3pol. 16A 6/MCB 1pol. 16A 1/RCD 4pol. 63/0.03A type G/A	4/CEE 5x16A 400V 6/Schuko 16A 230V
79371	85163	4063331199G77.0,03.63.XF.G/A.GG.	3 m connection cable 5x16 mm ² with solid rubber CEE-plug 5x63A 400V	2/MCB 3pol. 32A 2/MCB 3pol. 16A 6/MCB 1pol. 16A 2/RCD 4pol. 63/0.03A type G/A	2/CEE 5x32A 400V 2/CEE 5x16A 400V 9/Schuko 16A 230V
48004		4012566G33977.0.03.63.XF.	3 m connection cable 5x35 mm ² with CEE-plug 5x125A 400V	1/MCB 3pol. 63A 2/MCB 3pol. 32A 1/RCD 4pol. 63/0.03A type S/A 1/RCD 4pol. 63/0.03A type G/A	2/CEE 5x63A 400V 2/CEE 5x32A 400V

Design the optimum solution for your requirements with our engineers.
Including individual engraving (max. 20 characters).



Series 7400 / 7700 - Stand



Technical data

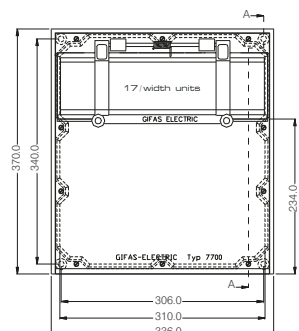
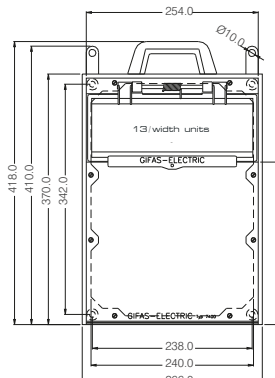
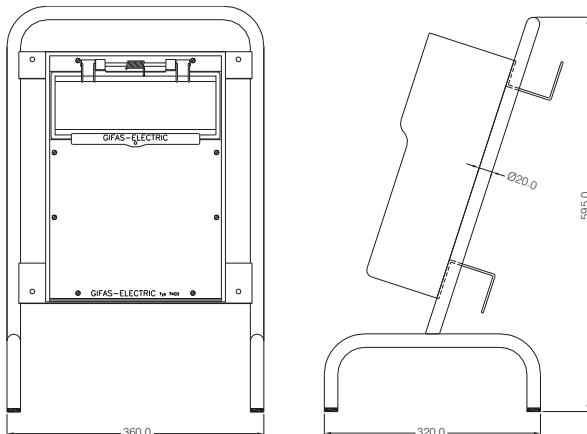
Width x height x depth	maximum 360 x 595 x 320 mm (with stand)
Type of protection	IP44 (up to IP65 possible)
Housing material	Solid rubber (vulcanised butyl rubber)
Specifications of the housing	Halogen-free, UV-resistant, resistant to oils and various acids and alkalis
Gasket	Foamed polyurethane gasket
Cover fixing	Stainless steel screw TORX T15 A4
Macrolon cover	maximum 13/17 width units

Portable wired solid rubber distributor - ready for operation.

Equipment examples Series 7400 / 7700

EDP No.	EDP No. F&B	Product ID No.	Entry	Fusing	Equipment
111527	85166	743211937.0,03.SP.GG. GESTELL.	3 m connection cable 5x4.0 mm ² with solid rubber CEE-plug 5x32A 400V	2/MCB 3pol. 16A 3/MCB 1pol. 16A 1/RCD 4pol. 40/0,03A type A	2/CEE 5x16A 400V 3/Schuko 16A 230V
111528	85168	74323.1937.0,03.SP.GG. GESTELL.	3 m connection cable 5x4.0 mm ² with solid rubber CEE-plug 5x32A 400V	unfused 1/MCB 3pol. 16A 3/MCB 1pol. 16A 1/RCD 4pol. 40/0,03A type A	1/CEE 5x32A 400V 1/CEE 5x16A 400V 3/Schuko 16A 230V
111529	85170	77323.11G94G7.0,03.SP.GG. GESTELL.	3 m connection cable 5x4.0 mm ² with solid rubber CEE-plug 5x32A 400V	unfused 1/MCB 3pol. 16A 2/MCB 1pol. 16A 1/RCD 4pol. 40/0,03A type A	1/CEE 5x32A 400V 2/CEE 5x16A 400V 4/Schuko 16A 230V
105870	85172	77636.31937.0,03.63.XF.G/A.GG. GESTELL.	3 m connection cable 5x16 mm ² with solid rubber CEE-plug 5x63A 400V	unfused 1/MCB 3pol. 32A 1/MCB 3pol. 16A 3/MCB 1pol. 16A 1/RCD 4pol. 63/0,03A type G/A	1/CEE 5x63A 400V 1/CEE 5x32A 400V 1/CEE 5x16A 400V 3/Schuko 16A 230V
41743		7400.7700.GESTELL.M			Pedestal
10177		GU.GRIFF			Handgrip
10634		1000.HÄLA			Hanging lug

Design the optimum solution for your requirements with our engineers. Including individual engraving (max. 20 characters).



Series 7900 - Stand



Technical data

Width x height x depth	maximum 425 x 760 x 400 mm (with stand)
Type of protection	IP44 (up to IP65 possible)
Housing material	Solid rubber (vulcanised butyl rubber)
Specifications of the housing	Halogen-free, UV-resistant, resistant to oils and various acids and alkalis
Gasket	Foamed polyurethane gasket
Cover fixing	Stainless steel screw TORX T15 A4
Macrolon cover	maximum 2x17 width units

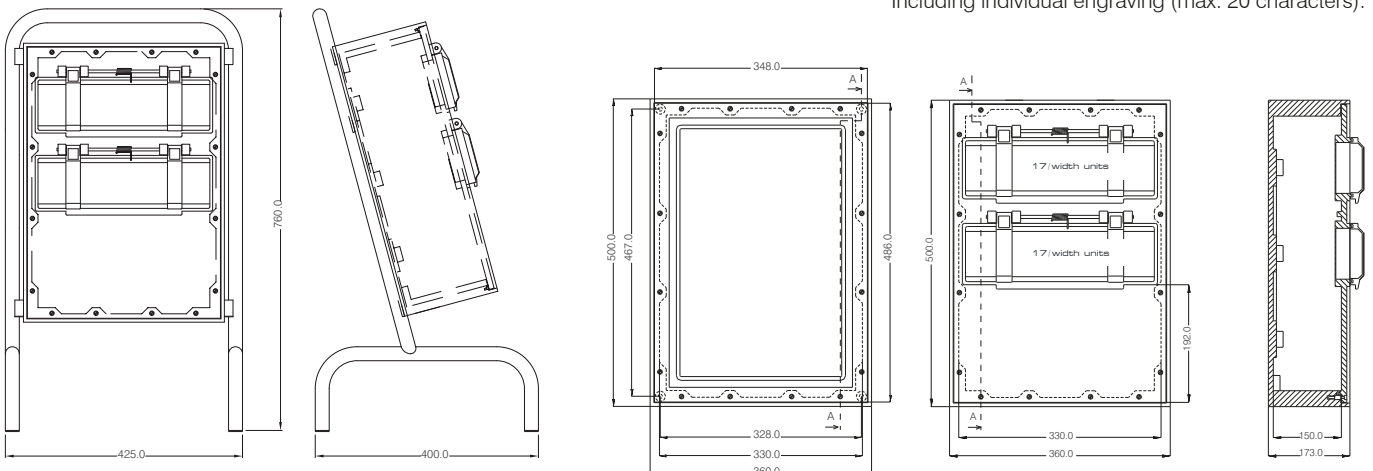
Portable wired solid rubber distributor - ready for operation.

Equipment examples Series 7900

EDP No.	EDP No. F&B	Product ID No.	Entry	Fusing	Equipment
89716	85173	79633111967.0,03.63. XF.G/A.GG.GEST.	3 m connection cable 5x16 mm ² with solid rubber CEE-plug 5x63A 400V	1/MCB 3pol. 32A 4/MCB 3pol. 16A 6/MCB 1pol. 16A 1/RCD 4pol. 63/0,03A type G/A	1/CEE 5x32A 400V 4/CEE 5x16A 400V 6/Schuko 16A 230V
48487	85178	79T633111967.0,03.63. XF.G/A.ST. (Model with door)	3 m connection cable 5x16 mm ² with solid rubber CEE-plug 5x63A 400V	1/MCB 3pol. 32A 3/MCB 3pol. 16A 6/MCB 1pol. 16A 1/RCD 4pol. 63/0,03A type G/A	1/CEE 5x32A 400V 3/CEE 5x16A 400V 6/Schuko 16A 230V
107431	85180	796333111937.0,03.63. XF.G/A.ST.	3 m connection cable 5x16 mm ² with solid rubber CEE-plug 5x63A 400V	2/MCB 3pol. 32A 4/MCB 3pol. 16A 3/MCB 1pol. 16A 1/RCD 4pol. 63/0,03A type G/A	2/CEE 5x32A 400V 4/CEE 5x16A 400V 3/Schuko 16A 230V
48486	85181	79T6333111937.0,03.63. XF.G/A.ST. (Model with door)	3 m connection cable 5x16 mm ² with solid rubber CEE-plug 5x63A 400V	2/MCB 3pol. 32A 3/MCB 3pol. 16A 3/MCB 1pol. 16A 1/RCD 4pol. 63/0,03A type G/A	2/CEE 5x32A 400V 3/CEE 5x16A 400V 3/Schuko 16A 230V

Design the optimum solution for your requirements with our engineers.

Including individual engraving (max. 20 characters).



Series 7900



Technical data

Type of protection	IP44 (up to IP65 possible)
Housing material	Solid rubber (vulcanised butyl rubber)
Specifications of the housing	Halogen-free, UV-resistant, resistant to oils and various acids and alkalis
Gasket	Foamed polyurethane gasket
Cover fixing	Stainless steel screw TORX T15 A4
Macrolon cover	maximum 8x17 width units

Portable wired solid rubber distributor - ready for operation.

Equipment examples Series 4x7900 - Dimensions without handles (WxHxD): 720 x 560 x 449 mm

EDP No.	EDP No. F&B	Product ID No.	Entry	Fusing	Equipment
94307	110532	4.799663333111111967777. XF.PS.GS.500A	5/Powersafe appliance plug 400V / 500A	1/switch disconnecter 3pol. 125A 6/switch disconnecter 3po. 63A 4/MCB 3pol. 32A 6/MCB 3pol. 16A 6/MCB 1pol. 16A 4/RCD 4pol. 63/0,03A type G/A	1/CEE 5x125A 400V 2/CEE 5x63A 400V 4/CEE 5x32A 400V 6/CEE 5x16A 400V 6/Schuko 16A 230V

Equipment examples Series 7800 + 7900 - Dimensions without carrying handles (WxHxD): 360 x 620 x 409 mm

EDP No.	EDP No. F&B	Product ID No.	Entry	Fusing	Equipment
94301		7800.79666666660. PS.GS.500A	5/Powersafe-appliance plug 400V / 500A	8/switch disconnecter 3pol. 63A	8/CEE 5x63A 400V

Equipment examples Series 2x7900 - Dimensions without carrying handles (WxHxD): 360 x 620 x 346 mm

EDP No.	EDP No. F&B	Product ID No.	Entry	Fusing	Equipment
94296		2.7999990.PS.GS.500A. GRIFF.RD	5/Powersafe-appliance plug 400V / 500A	4/switch disconnecter 3pol. 125A	4/CEE 5x125A

Design the optimum solution for your requirements with our engineers.
Including individual engraving (max. 20 characters).

Series 2100 - Operating hour counter



Technical data

Width x height x depth	72 x 84 x 61 mm
Type of protection	IP44
Housing material	Solid rubber (vulcanised butyl rubber)
Cover	Polyamid
Specifications of the housing	Halogen-free, UV-resistant, resistant to oils, various acids and alkalis
Gasket	Solid rubber round cord
Cover fixing	Stainless steel cross-head screw (Gasketed with lacquer to prevent unauthorised opening)

- Review the operating hours of portable hand-held power tools.
- Decide when the device next needs testing.
- Invoice for actual operating hours of loan equipment.

Equipment examples Series 2100

EDP No.	EDP No. F&B	Product ID No.	Entry	Fusing	Outlet
25187	110533	21.3215.BHZ.5315	3 m connection cable 2x1.5 mm ² with contour plug 16A 230V	1/Operating hour counter	5 m cable 3x1.5 mm ² (without green / yellow wire), stripped incl. wire end sleeves

Design the optimum solution for your requirements with our engineers. Including individual engraving (max. 20 characters).


Series 1812



Technical data

Width x height x depth:	125 x 180 x 90 mm
Type of protection:	IP44 (to IP65 possible)
Housing Material:	Solid rubber (vulcanised butyl rubber)
Cover:	Polycarbonat
Specifications of the housing:	Halogen-free, UV-resistant, resistant to oils and various acids and alkalis
Gasket:	Foamed polyurethane gasket
Cover fixing:	Stainless steel screw TORX T15 A4
Macrolon cover:	maximum 8x17 width units

Equipment examples Series 1812

EDP No.	EDP No. F&B	Product ID No.	Entry	Fusing	Outlet
111531	85182	1812.S3.27.30MA. ZÄHLER.GG.	3 m connection cable 3x1.5 mm ² with Schuko plug	unfused 1/RCD 2pol. 25/0.03A type A 1/electronic kWhcounter 230V 50Hz	2/Schuko 16A 230V 

Design the optimum solution for your requirements with our engineers. Including individual engraving (max. 20 characters).

Series 6200 (stackable)



Technical data

Width x height x depth	280 x 276 x 180 mm
Type of protection	IP44 (up to IP 65 possible)
Housing material	Solid rubber (vulcanised butyl rubber)
Specifications of the housing	Halogen-free, UV-resistant, resistant to oils and various acids and alkalis
Gasket	Foamed polyurethane gasket
Cover fixing	Knurled screws
Contour of the appliance 45 mm	maximum 9 width units

Equipment examples Series 6200

EDP No.	EDP No. F&B	Product ID No.	Entry	Fusing	Equipment
111532	85183	62161.37.0.03. SPZÄHLER.GG.	3 m connection cable 5x2.5 mm ² with solid rubber CEE-plug 5x16A 400V	unfused unfused 1/RCD 4pol. 40/0.03A type A 1/electronic three-phase meter 3x400V	1/CEE 5x16A 400V 3/Schuko 16A 230V
111533	85184	621611.37.0.03. SPZÄHLER.GG.	3 m connection cable 5x2.5 mm ² with solid rubber CEE-plug 5x16A 400V	unfused unfused 1/RCD 4pol. 40/0.03A type A 1/electronic three-phase meter 3x400V	2/CEE 5x16A 400V 3/Schuko 16A 230V

Design the optimum solution for your requirements with our engineers.
Including individual engraving (max. 20 characters).

Series 6700 (stackable)



Technical data

Width x height x depth	350 x 311 x 247 mm
Type of protection	IP44 (to IP 65 possible)
Housing material	Solid rubber (vulcanised butyl rubber)
Specifications of the housing	Halogen-free, UV-resistant, resistant to oils and various acids and alkalis
Gasket	Foamed polyurethane gasket
Cover fixing	Knurled screws
Contour of the appliance 45 mm	maximum 20 width units

Equipment examples Series 6700

EDP No.	EDP No. F&B	Product ID No.	Entry	Fusing	Equipment
111535	85185	67323.1937.0.03. SPZÄHLER.GG.	3 m connection cable 5x4.0 mm ² with solid rubber CEE-plug 5x32A 400V	unfused 1/MCB 3pol. 16A 3/MCB 1pol. 16A 1/RCD 4pol. 40/0.03A type A 1/electronic three-phase meter 3x400V	1/CEE 5x32A 400V 1/CEE 5x16A 400V 3/Schuko 16A 230V

Design the optimum solution for your requirements with our engineers.
Including individual engraving (max. 20 characters).

Series 7400



Technical data

Width x height x depth	maximum 360 x 595 x 320 mm (with stand)
Type of protection	IP44 (up to IP65 possible)
Housing material	Solid rubber (vulcanised butyl rubber)
Specifications of the housing	Halogen-free, UV-resistant, resistant to oils, various acids and alkalis
Gasket	Foamed polyurethane gasket
Cover fixing	Stainless steel screw TORX T15 A4
Macrolon cover	maximum 13 width units

Equipment examples Series 7400

EDP No.	EDP No. F&B	Product ID No.	Entry	Fusing	Equipment
111536	85186	74161.37.0.03. SPZÄHLER.GG.GRIFF	3 m connection cable 5x2.5 mm ² with solid rubber CEE-plug 5x16A 400V	unfused unfused 1/RCD 4pol. 40/0.03A type A 1/electronic polyphase meter 3x400V mounted on stand	1/CEE 5x16A 400V 3/Schuko 16A 230V
111537	85187	74161.37.0.03. SPZÄHLER.GEST.GG	3 m connection cable 5x2.5 mm ² with solid rubber CEE-plug 5x16A 400V	unfused unfused 1/RCD 4pol. 40/0.03A type A 1/electronic polyphase meter 3x400V mounted on stand	1/CEE 5x16A 400V 3/Schuko 16A 230V

Design the optimum solution for your requirements with our engineers.
Including individual engraving (max. 20 characters).

Series 7900



Technical data

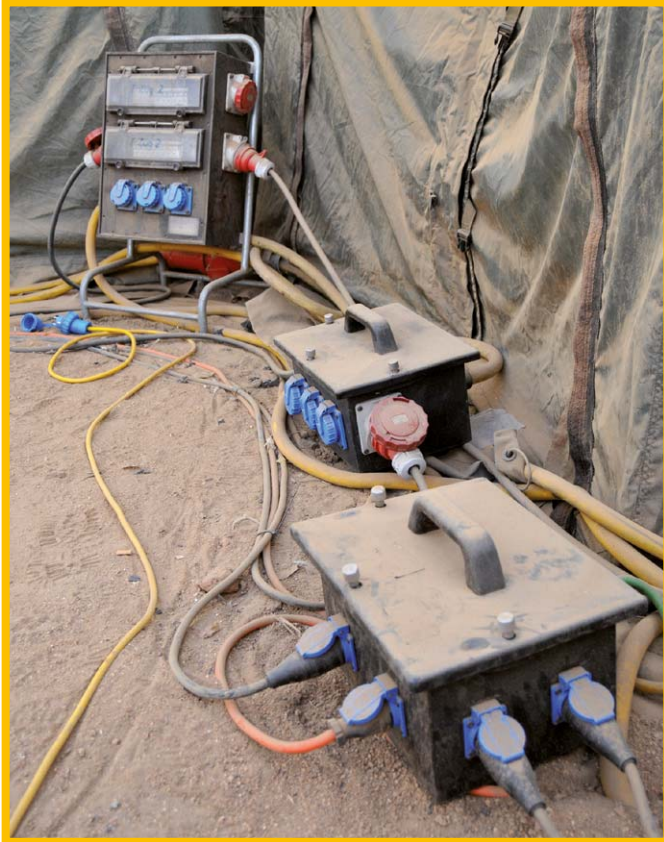
Width x height x depth	360 x 500 x 173 mm (without handle)
Type of protection	IP44
Housing material	Solid rubber (vulcanised butyl rubber)
Door:	Polycarbonat (black, transparent)
Specifications of the housing	Halogen-free, UV-resistant, resistant to oils and various acids and alkalis
Gasket	Foamed polyurethane gasket
Cover fixing	Hinge / rotating lock
Contour of the appliance 45 mm	maximum 12 width units

Equipment examples Series 7900

EDP No.	EDP No. F&B	Product ID No.	Entry	Fusing	Equipment
111538	85188	79T161.937.0.03. SPZÄHLER.GRIFF.GG.	3 m connection cable 5x2.5 mm ² with solid rubber CEE-plug 5x16A 400V	unfused 3/MCB 1pol. 16A 1/RCD 4pol. 40/0.03A type A 1/Control counter	1/CEE 5x16A 400V 3/Schuko 16A 230V
111539	85189	79T1611G937.0.03. SPZÄHLER.GRIFF.GG.	3 m connection cable 5x2.5 mm ² with solid rubber CEE-plug 5x16A 400V	1/MCB 3pol. 16A 3/MCB 1pol. 16A 1/RCD 4pol. 40/0.03A type A 1/Control counter	2/CEE 5x16A 400V 3/Schuko 16A 230V
111540	85190	79T323.1937.0.03. SPZÄHL.GRIFF.GG.	3 m connection cable 5x4.0 mm ² with solid rubber CEE-plug 5x32A 400V	unfused 1/MCB 3pol. 16A 3/MCB 1pol. 16A 1/RCD 4pol. 40/0.03A type A 1/Control counter	1/CEE 5x32A 400V 1/CEE 5x16A 400V 3/Schuko 16A 230V
111541	85191	79T3233.927.0.03. SPZÄHL.GRIFF.GG.	3 m connection cable 5x4.0 mm ² with solid rubber CEE-plug 5x32A 400V	unfused 2/MCB 1pol. 16A 1/RCD 4pol. 40/0.03A type A 1/Control counter	2/CEE 5x32A 400V 2/Schuko 16A 230V

Design the optimum solution for your requirements with our engineers.
Including individual engraving (max. 20 characters).

Application examples / customer solutions



EDP No. 55015, 55508, 84719 (from back to front)



EDP No. 100408, 75722



EDP No. 101806, 101812 (from left to right)



EDP No. 71838



EDP No. 91747

Application examples / customer solutions



EDP No. 79337



EDP No. 81941



EDP No. 101135



EDP No. 88207



EDP No. 89874



EDP No. 82269

CONTACT US

GIFAS
ELECTRIC



GIFAS ELECTRIC
Gesellschaft m.b.H
Strass 2
5301 Eugendorf
AUSTRIA

🌐 www.gifas.at
✉ verkauf@gifas.at
☎ +43 6225/7191-0
☎ +49 8654/404-2000

SYSTEMATIC QUALITY

Safety and isolating transformers



Safety transformers 24V

Page 4



Page 4

Safety transformers 42V

Page 5



Page 5

Isolating transformers 230/230V + 400/400V

Page 6



Page 6

Application examples

Pages 8 - 9

Application
examples



Pages 8 - 9

We specialise in transformers in cabinets, protection class II, from 100VA to 100kVA.

From 12V low-voltage transformers to 100kVA isolating transformers, we produce and supply to you any desired quantity.

We supply

- Single-phase transformers
- Three-phase transformers
- Special transformers
- Autotransformers
- Voltage from 12 to 690V AC
- Frequency from 50 to 300Hz
- Power from 100VA to 100kVA

Transformers are built in to solid rubber boxes of protection class II.

Models for wall mounting or portable; mobile versions mounted on a handcart or distribution carriage.

In accordance with your specific requirements, we produce transformers built into a cabinet, with primary/secondary protection, inrush current limitation, smoothing coil, cable entry, cable outlet, sockets, insulation monitoring, etc.

Solid rubber material

- Excellent mechanical strength: shatterproof, impact-resistant, stable form and resistant to ageing.
- Protective insulation due to integrated wall mounting - separated from the wired area.
- Captive stainless steel top screws.
- No corrosion.
- Protected against dust and water jets (up to IP65).
- No formation of condensation (not even with large variations in temperature).
- High temperature resistance from -30° to $+80^{\circ}\text{C}$.
- Resistant to chemicals (oils, greases, many acids and caustics).
- Weather-, UV- and ozone-resistant.
- The special mixture of butyl rubber is self-extinguishing, and is free of silicone and halogen. It produces little smoke in case of fire. There is no release of caustic or toxic materials.
- Tested quality. $\text{C} \in \text{CE} \text{ T}$

Safe and indestructable

- Suitable for all fields of application in industry and commerce.
- Suitable for dry and damp areas.
- Suitable for outdoor use, protected from rain, snow and sun.
- Manufactured to your specification (with attached cable glands, standard binders, switches, keys, as well as Schuko and CEE socket or other plug-in systems).
- On request: engraving or labelling for identification or operation and technical references.

Safety transformers 24V



Technical data

Width x height x depth	Series 1616: 160 x 160 x 90 mm ⁽¹⁾ Series 6200: 280 x 276 x 180 mm ⁽²⁾ Series 6700: 350 x 311 x 247 mm ⁽³⁾ Series 3500: 360 x 250 x 360 mm ⁽⁴⁾ Series 4300: 490 x 160 x 350 mm ⁽⁵⁾ Series 3900: 250 x 360 x 173 mm ⁽⁶⁾
Type of protection	IP44 (IP65 on request)
Material	Cover: solid rubber halogen-free Cover Series 1616: polycarbonate Cover Series 4300: plastic
Gasket seal	Cabinet: solid rubber halogen-free Foamed polyurethane gasket seal

Equipment examples portable safety transformers 24V

EDP No.	Product ID No.	Voltage max. amp.	Weight in kg	Entry	Equipment	
48541	161601202.K3.GG.GRIFF ⁽¹⁾	120 VA 4 A	3	3 m connection cable 2x1.5 mm ² with contour plug 16A 30V	1/CEE 2x16A 24V	
46036	62032022.ETA ⁽²⁾	320 VA 12 A	9	3 m connection cable 2x1.5 mm ² with contour plug 16A 230V	2/CEE 2x16A 24V	
44853	62050022.ETA ⁽²⁾	500 VA 15 A	11.5	3 m connection cable 2x1.5 mm ² with contour plug 16A 230V	2/CEE 2x16A 24V	
47595	620500222.ETA ⁽²⁾	500 VA 15 A	11.7	3 m connection cable 2x1.5 mm ² with contour plug 16A 230V	3/CEE 2x16A 24V	
46074	67010002222.ETA ⁽³⁾	1000 VA 2 x 15 A	18	3 m connection cable 2x1.5 mm ² with contour plug 16A 230V	4/CEE 2x16A 24V	
27913	35015002222.ETA ⁽⁴⁾	1500 VA 4 x 15 A	19	3 m connection cable 2x1.5 mm ² with contour plug 16A 230V	4/CEE 2x16A 24V	
47936	4302500222222.ETA ⁽⁵⁾	2500 VA 6 x 15 A	33	3 m connection cable 2x1.5 mm ² with contour plug 16A 230V	6/CEE 2x16A 24V	

Equipment examples portable safety transformers 24V for wall mounting

EDP No.	Product ID No.	Voltage max. amp.	Weight in kg	Entry	Equipment	
47645	39032022.ETA.1M20 ⁽⁶⁾	320 VA 12 A	12.5	1/M20	2/CEE 2x16A 24V	
47935	39050022.ETA.1M20 ⁽⁶⁾	500 VA 15 A	15	1/M20	2/CEE 2x16A 24V	

Design the optimum solution for your requirements with our engineers.
Engraving possible.

Safety transformers 42V

Technical data

Width x height x depth	Series 6200: 280 x 276 x 180 mm ⁽²⁾ Series 6700: 350 x 311 x 247 mm ⁽³⁾ Series 3500: 360 x 250 x 360 mm ⁽⁴⁾ Series 4300: 490 x 160 x 350 mm ⁽⁵⁾ Series 3900: 250 x 360 x 173 mm ⁽⁶⁾
Type of protection	IP44 (IP65 on request)
Material	Cover: solid rubber halogen-free Cover Series 4300: Plastic
Gasket seal	Cabinet: solid rubber halogen-free Foamed polyurethane gasket seal

Equipment examples portable safety transformers 42V

EDP No.	Product ID No.	Voltage max. amp.	Weight in kg	Entry	Equipment	
47594	62032044.ETA ⁽²⁾	320 VA 6 A	9	3 m connection cable 2x1.5 mm ² with contour plug 16A 230V	2/CEE 2x16A 42V	
47080	62050044.ETA ⁽²⁾	500 VA 10 A	11.5	3 m connection cable 2x1.5 mm ² with contour plug 16A 230V	2/CEE 2x16A 42V	
47596	620500444.ETA ⁽²⁾	500 VA 10 A	11.7	3 m connection cable 2x1.5 mm ² with contour plug 16A 230V	3/CEE 2x16A 42V	
47231	67010004444.ETA ⁽³⁾	1000 VA 2 x 10 A	18	3 m connection cable 2x1.5 mm ² with contour plug 16A 230V	4/CEE 2x16A 42V	
47939	35015004444.ETA ⁽⁴⁾	1500 VA 2 x 15 A	19	3 m connection cable 2x1.5 mm ² with contour plug 16A 230V	4/CEE 2x16A 42V	
46446	43020004444.ETA ⁽⁵⁾	2000 VA 4 x 10 A	30	3 m connection cable 2x1.5 mm ² with contour plug 16A 230V	4/CEE 2x16A 42V	
47937	4302500444.ETA ⁽⁵⁾	2500 VA 3 x 15 A	32.5	3 m connection cable 2x1.5 mm ² with contour plug 16A 230V	3/CEE 2x16A 42V	

Equipment examples safety transformers 42V for wall mounting

EDP No.	Product ID No.	Voltage max. amp.	Weight in kg	Entry	Equipment	
48121	39032044.ETA.1M20 ⁽⁶⁾	320 VA 6 A	12.5	1/M20	2/CEE 2x16A 42V	
47938	39050044.ETA.1M20 ⁽⁶⁾	500 VA 10 A	15	1/M20	2/CEE 2x16A 42V	

Design the optimum solution for your requirements with our engineers.
Engraving possible.

Isolating transformers 230/230V and 400/400/230V



Technical data

Width x height x depth	Series 6200: 280 x 276 x 180 mm ⁽²⁾ Series 6700: 350 x 311 x 247 mm ⁽³⁾ Series 3500: 360 x 250 x 360 mm ⁽⁴⁾ Series 4300: 490 x 160 x 350 mm ⁽⁵⁾ Series 3900: 250 x 360 x 173 mm ⁽⁶⁾ Series 7900: 360 x 500 x 173 mm ⁽⁷⁾
International protection	IP44 / 54 (IP65 on request)
Material	Cover: solid rubber halogen-free Cover Series 4300: plastic
Gasket seal	Cabinet: solid rubber halogen-free Foamed polyurethane gasket seal

Equipment examples portable isolating transformers 230/230V

EDP No.	EDP No. F&B	Product ID No.	Voltage max. amp.	Weight in kg	Entry	Equipment	
46705	85152	6205001.230V.ETA.GG ⁽²⁾	500 VA 2 A	11.5	3 m connection cable 2x1.5 mm ² with contour plug 16A 230V	1/Schuko 16A 230V	
85019	85156	67010001.230V.ETA.GG ⁽³⁾	1000 VA 3.5 A	18	3 m connection cable 2x1.5 mm ² with contour plug 16A 230V	1/Schuko 16A 230V	
57209	85158	67012001.230V.ETA.ESB.GG ⁽³⁾	1200 VA 4 A	20	3 m connection cable 2x1.5 mm ² with contour plug 16A 230V	1/Schuko 16A 230V	
80941	110540	35015001.230V.ETA.ESB.GG ⁽⁴⁾	1500 VA 6 A	19	3 m connection cable 2x1.5 mm ² with contour plug 16A 230V	1/Schuko 16A 230V	
61716	110542	43020001.230V.ESB.ETA.GG ⁽⁵⁾	2000 VA 8 A	30	3 m connection cable 2x1.5 mm ² with contour plug 16A 230V	1/Schuko 16A 230V	
42991	110544	43030001.230V.ETA.ESB.GG ⁽⁵⁾	3000 VA 12 A	36	3 m connection cable 2x1.5 mm ² with contour plug 16A 230V	1/Schuko 16A 230V	

Equipment examples portable isolating transformers 3x400/3x400V

EDP No.	EDP No. F&B	Product ID No.	Voltage max. amp.	Weight in kg	Entry	Equipment	
100241		79.MS.DR3000.1.5M.GG.301656 ⁽⁷⁾	3000 VA 4 A	43	5 m connection cable 5x2.5 mm ² with CEE-plug 5x16A 400V	1/CEE 5x16A 400V	

Equipment examples portable isolating transformers 230/230V for wall mounting

EDP No.	EDP No. F&B	Product ID No.	Voltage max. amp.	Weight in kg	Entry	Equipment	
47948	85174	3905001.230V.ETA.1M20 ⁽⁶⁾	500 VA 2 A	15	1/M20	1/Schuko 16A 230V	
47949	85176	39010001.230V.ETA.1M20 ⁽⁶⁾	1000 VA 3.5 A	19	1/M20	1/Schuko 16A 230V	
84829	110546	79030001.230V.ETA.ESB.1KN.A200.1M20 ⁽⁷⁾	3000 VA 12 A	41	1/M20	1/Schuko 16A 230V	

Equipment examples portable isolating transformers 3x400/3x400V for wall mounting

EDP No.	EDP No. F&B	Product ID No.	Voltage max. amp.	Weight in kg	Entry	Equipment	
109035		2.7900.D10000.1.MS.SAK6.1M25 ⁽⁷⁾ (2x Series 7900)	10000 VA 12A	140	1/M25	1/CEE 5x16A 400V	

Design the optimum solution for your requirements with our engineers.
Engraving possible.

Application examples / customer solutions



EDP No. 83325, 3 kVA



EDP No. 86454, 30kVA 500/400V



EDP No. 82077, 24 kVA



EDP No. 79337, 24 kVA



EDP No. 89553, 3 kVA



EDP No. 75616, 230V 6,3 kVA, 24V 1 kVA

Application examples / customer solutions



EDP No. 80274, 30 kVA 400V, 2 kVA 24V



EDP No. 76999, 30 kVA



EDP No. 79181, 50 kVA



EDP No. 74067, 100 kVA 690/400V

CONTACT US



GIFAS
ELECTRIC

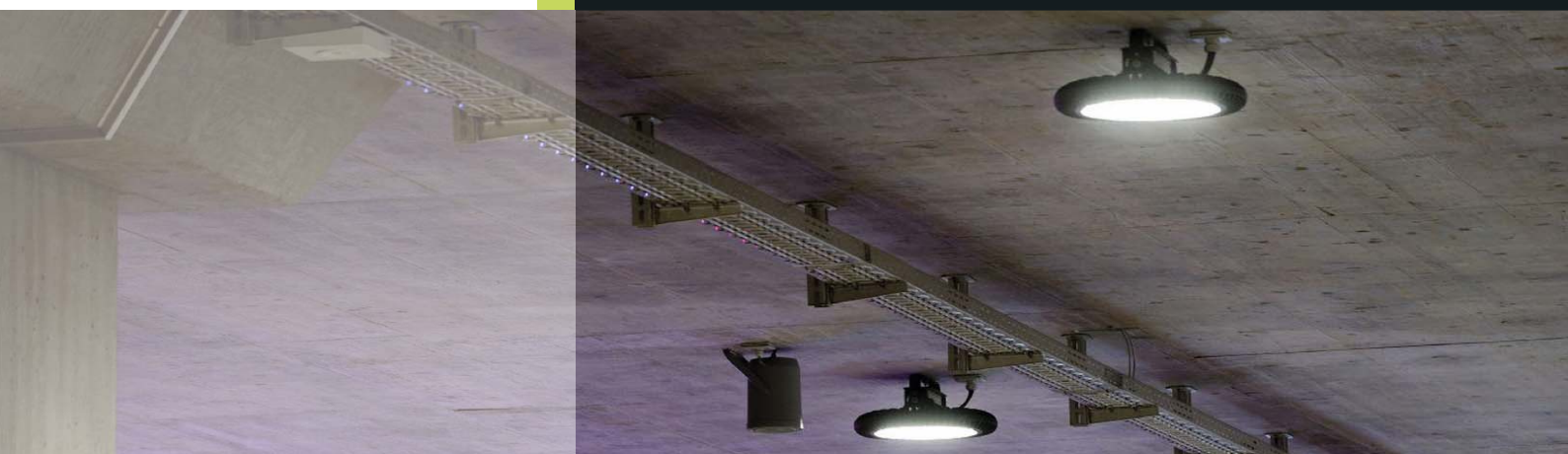
GIFAS ELECTRIC
Gesellschaft m.b.H
Strass 2
5301 Eugendorf
AUSTRIA

🌐 www.gifas.at
✉ verkauf@gifas.at
☎ +43 6225/7191-0
☎ +49 8654/404-2000

SYSTEMATIC QUALITY

Hall lighting Area lighting

LED spotlights for indoor and outdoor



LED Pendant light / LED Hall lighting

Page 6 - 10

DeltaLUXX DeltaLUXX 2HT



Page 6 - 9



Page 10

LED Floodlight AlphaLuxx

Page 16 - 20

AlphaLUXX
25-60



Page 18

AlphaLUXX
80-120



Page 19

AlphaLUXX
80-120
Ball-proof



Page 20

LED Floodlight PLAZA FlatLED

Page 24 - 30

PLAZA FlatLED
FLOOD 16W



Page 25

PLAZA FlatLED
FLOOD 24W



Page 26

PLAZA FlatLED
FLOOD 48W



Page 27

PLAZA FlatLED
FLOOD 72W



Page 28

PLAZA FlatLED
FLOOD 150W



Page 29

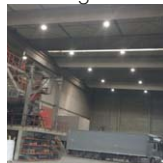
Wall bracket for
PLAZA FlatLED



Page 30

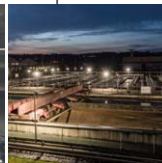
Application exam- ples

LED Pendant
light



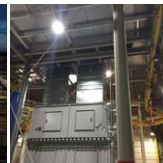
Page 11 - 13

LED Floodlight
AlphaLUXX



Page 21

LED Floodlight
PLAZA FlatLED



Page 31





LED Pendant light
LED Hall lighting

DeltaLUXX - General



- ✓ Made in Germany
- ✓ For applications with high light points
- ✓ Sleek, modern industrial design
- ✓ Optional with optics for a wide range of applications
- ✓ Approved for fire endangered premises (D-Label)

The new hall deflector from GIFAS impresses with design and flexibility. The efficient thermal management of this hall light, which ensures a permanently adequate cooling even in dust and dirt-contaminated areas, supports the current and efficient LED technology with a service life of at least 80.000 hours. The DeltaLUXX can be integrated into intelligent lighting systems by means of optional DALI and 1-10V dimming interfaces.

On the basis of high-performance LEDs, the DeltaLUXX demonstrates its enormous luminaire efficiency, particularly in areas with high luminous intensity that are difficult to illuminate. With an external diameter of 450 millimeters, 180 high-end LEDs and high-quality individual optics with various different radiation characteristics, it is possible to be used in halls up to 25 meters high.

With its aluminum die-cast housing, a special PTFE non-stick coating for minimized dust and dirt adhesion, a pressure compensation diaphragm and the use of robust polycarbonate discs with increased splinter protection or toughened safety glass, the DeltaLUXX ensures reliable operation in ambient temperatures of up to 60 ° Celsius.

The design is convincing with modern industrial design and slim shapes.

DeltaLUXX - Construction / Features



- 1 Die-cast aluminium frame
- 2 U-profile silicon seal
- 3 Front panel (PC or toughened glass)
- 4 Optic
- 5 LED board
- 6 Heat conducting film
- 7 Die-cast aluminium housing
- 8 Cable gland with pressure compensation function
- 9 Power supply
- 10 Power supply bracket
- 11 Mounting bracket



GIFAS Approach

The basis of this development is based on the necessity of producing a high bay light that earns the **MADE IN GERMANY** quality seal in terms of performance and quality. The DeltaLUXX has succeeded in developing a competitive LED

high bay light that meets the highest demands and is also used safely in demanding industries.



Future-proof

The DeltaLUXX impresses with its **enormous system efficiency and high quality of light**. With optional DALI and 1-10V dimming interfaces, the DeltaLUXX can be integrated into intelligent lighting systems. Use in sensor-controlled

systems (light or presence detector) and opens up further energy-saving potential.



light distribution.

Modern

For the DeltaLUXX, only **high-end SMD LEDs** from well-known manufacturers are used, which are optimally matched to the parameters of light quality, service life, light color and efficiency. High-quality individual optics are installed for efficient



Highest quality

The components are selected to the highest quality standards: high-alloyed, corrosion-resistant aluminum housing, LEDs, mounting material made of stainless steel (V4A) and electronics from well-known manufacturers.

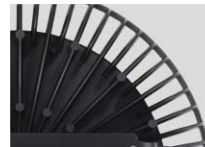
Individual test of each luminaire according to DIN EN 60598-1, certified according to ENEC.



Robust

Industrial lights often show the problem of surface contamination and the associated cooling performance reduction. The **PTFE surface coating (ugs Teflon®)** of the DeltaLUXX has a very low coefficient of friction. Dust and dirt

literally „pearl“ away from the luminaire. Even aggressive acids cannot attack the PTFE coating. The required thermal conductivity is due to the four times thinner PTFE coating, compared to the powder coating, given permanently.



Long life

Efficient cooling is essential to the life of the LEDs and ultimately affects the whole lighting system. In order to sustainably achieve this for the DeltaLUXX, high-quality technical components with a sophisticated design have been combined.

The outer open ring ensures even with a high degree of contamination for the dissipation of heat generated. The design in conjunction with a very thin coating, heat-conducting foil for optimum connection of the contact surfaces, results in a **operating temperature range of up to 60 ° Celsius and a service life of at least 80,000 hours.**

DeltaLUXX



Product features

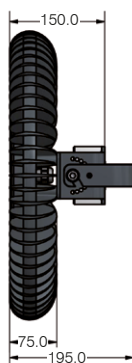
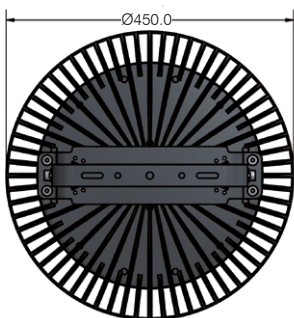
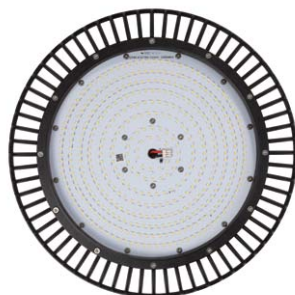
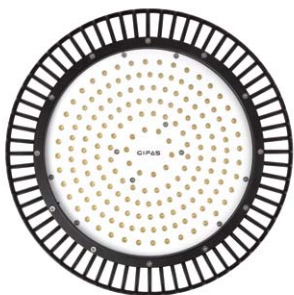
- Robust housing made of corrosion-resistant die-cast aluminium
- Dirt-resistant PTFE surface coating, approved for the food industry
- 3mm impact resistant plastic cover (PC) or 3mm toughened safety glass (ESG)
- Custom-made U-profile seal surrounding all sides
- Custom-made, durable, heat-conducting film for lasting, reliable dissipation of heat from the LED board
- Low heat generation thanks to the latest LED technology
- Pressure compensation element for extreme temperature fluctuations
- Full luminous flux is available instantly after switching on
- Low energy consumption with high light output
- Maintenance-free
- Wide operating temperature range (up to 60°C)
- No UV/IR-radiation
- Vibration-resistant
- Accessories available from stock
- Various directional characteristics available

Technical data

Operating Voltage	100-277VAC (50/60Hz)
Illuminant	SMD-LEDs
System performance:	
DeltaLUXX 2	95W / 140W / 183W / 225W / 270W
DeltaLUXX	164W / 215W / 264W
Luminous flux:	
DeltaLUXX 2	16.400lm / 22.400lm / 28.100lm / 32.400lm / 38.900lm
DeltaLUXX	18.817lm / 23.313lm / 26.676lm
System Efficiency:	
DeltaLUXX 2	173lm/W / 160lm/W / 154lm/W / 147lm/W / 144lm/W
DeltaLUXX	137lm/W / 131lm/W / 123lm/W
Light color	5.000K
CRI-Index	Ra >80
Beam Beam Angle	open distribution 120° optics 75° / 50°
L70/B10	> 80.000h
Type of protection light	IP65
Protection class	I
Shock resistance	IK08 (*for the version with PC cover)
Temperature range for operation	90W/100W -30°C to +65°C 130W -30°C to +60°C 170W -30°C to +55°C 200W -30°C to +50°C 250W -30°C to +45°C
Max. surface temperature	+90°C (suitable for use in industrial premises with fire hazards)
	D-rating label
Housing material	Die-cast aluminium
Housing surface	PTFE-coated
Housing color	black
Cover	3 mm ESG (vision), 3 mm polycarbonate
Connection cables	1 m
Weight	approx. 9,5 kg
Dimensions Ø x H	450 x 195 mm
Certification	ENEC, CB, CE, D-rating label

DeltaLUXX with optics

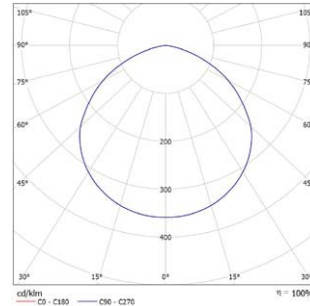
DeltaLUXX open distribution



DeltaLUXX - Assortment / Light distributor

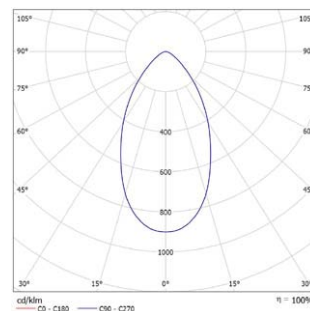
DeltaLUXX 2		
EDP No.	Product-ID-No.	Description
800287	DELTALUXX.2.90W.230V.120°.PC.KLAR	LED-spotlights 100-240VAC, 90W, IP65, 5.000K, 15.700lm, cover PC 3 mm, clear
800288	DELTALUXX.2.90W.230V.120°.ESG.KLAR	LED-spotlights 100-240VAC, 90W, IP65, 5.000K, 16.400lm, cover ESG 3 mm, clear
800289	DELTALUXX.2.130W.230V.120°.PC.KLAR	LED-spotlights 100-240VAC, 130W, IP65, 5.000K, 21.400lm, cover PC 3 mm, clear
800290	DELTALUXX.2.130W.230V.120°.ESG.KLAR	LED-spotlights 100-240VAC, 130W, IP65, 5.000K, 22.400lm, cover ESG 3 mm, clear
800291	DELTALUXX.2.170W.230V.120°.PC.KLAR	LED-spotlights 100-240VAC, 170W, IP65, 5.000K, 26.800lm, cover PC 3 mm, clear
800292	DELTALUXX.2.170W.230V.120°.ESG.KLAR	LED-spotlights 100-240VAC, 170W, IP65, 5.000K, 28.100lm, cover ESG 3 mm, clear
800293	DELTALUXX.2.200W.230V.120°.PC.KLAR	LED-spotlights 100-240VAC, 200W, IP65, 5.000K, 31.000lm, cover PC 3 mm, clear
800294	DELTALUXX.2.200W.230V.120°.ESG.KLAR	LED-spotlights 100-240VAC, 200W, IP65, 5.000K, 32.400lm, cover ESG 3 mm, clear
800295	DELTALUXX.2.250W.230V.120°.PC.KLAR	LED-spotlights 100-240VAC, 250W, IP65, 5.000K, 37.530lm, cover PC 3 mm, clear
800296	DELTALUXX.2.250W.230V.120°.ESG.KLAR	LED-spotlights 100-240VAC, 250W, IP65, 5.000K, 38.900lm, cover ESG 3 mm, clear

Light intensity distribution at 120°



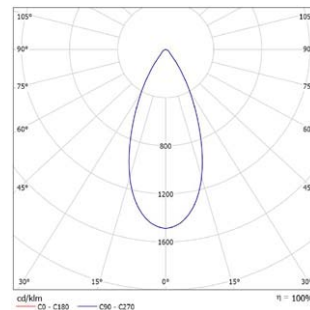
DeltaLUXX		
EDP No.	Product-ID-No.	Description
800121	DELTALUXX.150W.230V.75°.PC.KLAR	LED spotlights 100-240VAC, 150W, IP65, 5.000K, 18.118lm, cover PC 3 mm, clear
800122	DELTALUXX.200W.230V.75°.PC.KLAR	LED spotlights 100-240VAC, 200W, IP65, 5.000K, 22.543lm, cover PC 3 mm, clear
800123	DELTALUXX.240W.230V.75°.PC.KLAR	LED spotlights 100-240VAC, 240W, IP65, 5.000K, 25.933lm, cover PC 3 mm, clear

Light intensity distribution at 75°



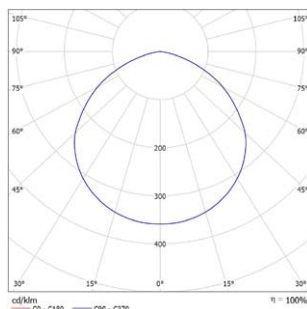
DeltaLUXX		
EDP No.	Product-ID-No.	Description
800118	DELTALUXX.150W.230V.50°.PC.KLAR	LED spotlights 100-240VAC, 150W, IP65, 5.000K, 18.817lm, cover PC 3 mm, clear
800119	DELTALUXX.200W.230V.50°.PC.KLAR	LED spotlights 100-240VAC, 200W, IP65, 5.000K, 23.313lm, cover PC 3 mm, clear
800120	DELTALUXX.240W.230V.50°.PC.KLAR	LED spotlights 100-240VAC, 240W, IP65, 5.000K, 26.676lm, cover PC 3 mm, clear

Light intensity distribution at 50°



Accessories		
EDP No.	Product-ID-No.	Description
123867	ALPHALUXX-TEETUBE. KABELVERBINDER. 3P:16A.400V.IP68	Cable connector THB.391. A3A, PA66GF, screw terminals 0.5-2.5 mm², for cables 7-12 mm Connection connection 3-pin 2/3/4

DeltaLUXX 2 HT high temperature spotlight

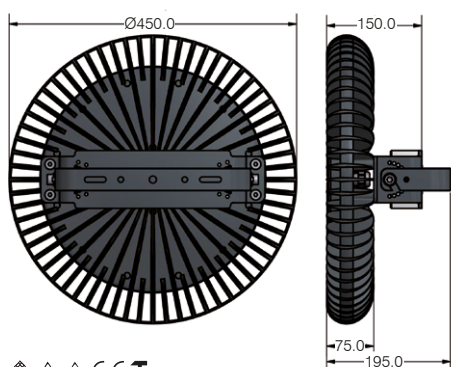
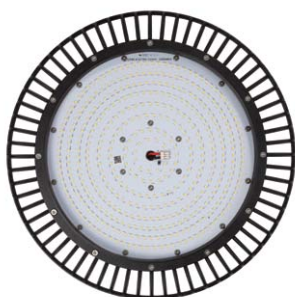


Product features

- Robust housing made of corrosion-resistant die-cast aluminium
- Dirt-resistant PTFE surface coating, approved for the food industry
- 3mm impact resistant plastic cover (PC)
- Custom-made U-profile seal surrounding all sides
- Custom-made, durable, heat-conducting film for lasting, reliable dissipation of heat from the LED board
- Low heat generation thanks to the latest LED technology
- Pressure compensation element for extreme temperature fluctuations
- Full luminous flux is available instantly after switching on
- Low energy consumption with high light output
- Maintenance-free
- Wide operating temperature range (up to 70°C)
- No UV/IR-radiation
- Vibration-resistant
- Accessories available from stock

Technical data

Operating Voltage	100-277VAC (50/60Hz)
Illuminant	SMD-LEDs
System performance	140W / 183W
Luminous flux	21.400lm / 26.800lm
System Efficiency	153lm/W / 147lm/W
Light color	5.000K
CRI-Index	Ra > 80
Beam Beam Angle	open distribution 120°
L70/B10	> 50.000h
Type of protection light	IP65
Protection class	I
Shock resistance	IK08
Temperature range for operation	-30°C bis +70°C
Housing material	Die-cast aluminium
Housing surface	PTFE-coated
Housing color	black
Cover	3 mm polycarbonate
Connection cable	1 m
Weight	approx. 9,5 kg
Dimensions Ø x H	450 x 195 mm
Certification	CE



DeltaLUXX 2 HT		
EDP No.	Product-ID-No.	Description
800389	DELTALUXX.2.130W.230V.120°.PC.KLAR.HT	LED spotlights high temperature 100-240VAC, 130W, IP65, 5.000K, 21.400lm, cover PC 3 mm, clear
800390	DELTALUXX.2.170W.230V.120°.PC.KLAR.HT	LED spotlights high temperature 100-240VAC, 170W, IP65, 5.000K, 26.800lm, cover PC 3 mm, clear

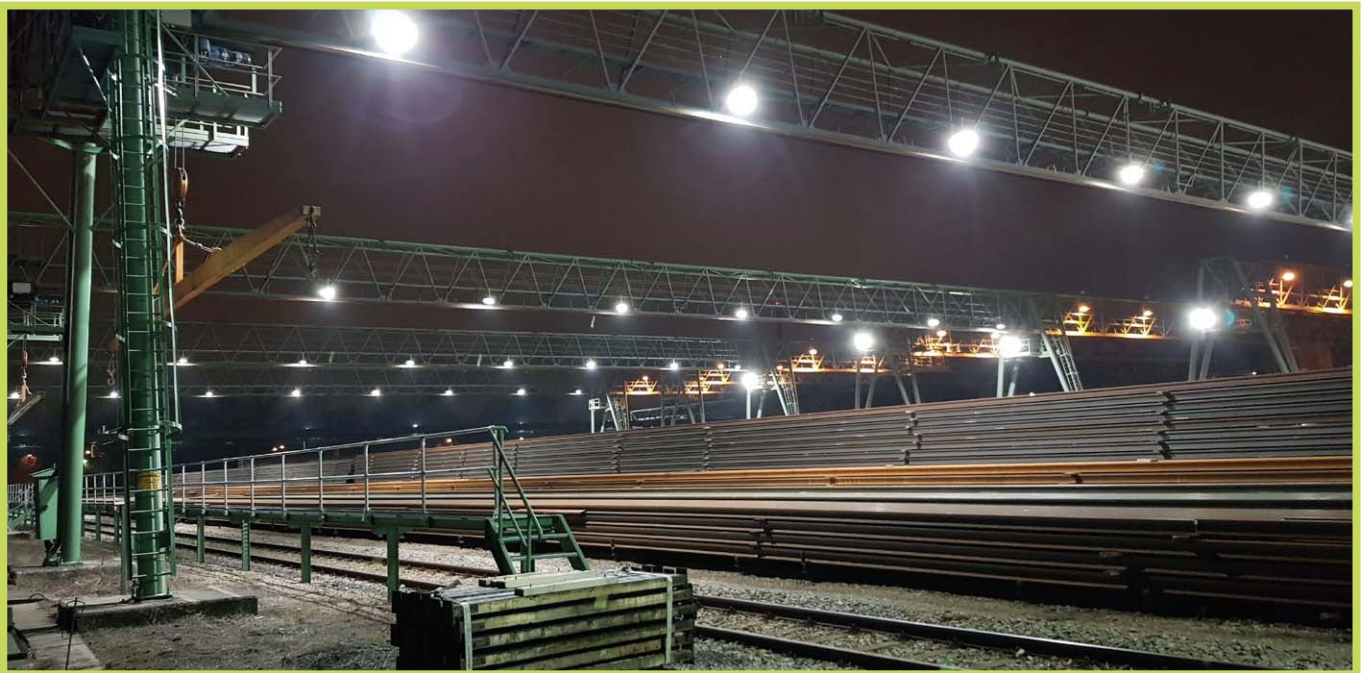
LED Pendant light / Hall lighting - DeltaLUXX 2 HT high temperature spotlight



DeltaLUXX 2 HT - Lighting steel industry



DeltaLUXX 2 HT - Lighting salt works



DeltaLUXX 2 HT - Track loading lighting

LED Pendant light / Hall lighting - DeltaLUXX



DeltaLUXX - Train station lighting



DeltaLUXX - Warehouse lighting



DeltaLUXX Blue - Outdoor sewage treatment plant lighting



DeltaLUXX - Driving safety center lighting



DeltaLUXX Blue - Facade lighting

LED Pendant light / Hall lighting - DeltaLUXX



DeltaLUXX - Storage space lighting



DeltaLUXX - Cable car lighting



DeltaLUXX - Hall lighting in a foundry



DeltaLUXX - Snow grooming workshop lighting





LED Floodlight AlphaLUXX



AlphaLUXX General



- ✓ Made in Germany
- ✓ Revolutionary PTFE surface coating
- ✓ Optional in vibration-damped design
- ✓ Approved for fire endangered premises (D-Label)

The AlphaLUXX floodlight is 100% **Made in Germany**. During the development, great emphasis was placed on the quality of the components, coupled with excellent efficiency and state-of-the-art technology.

Short response times at the **Neuss production plant** are guaranteed, meaning we are able to meet customer requirements promptly in terms of different outputs and front panels, various cable lengths and special color designs.

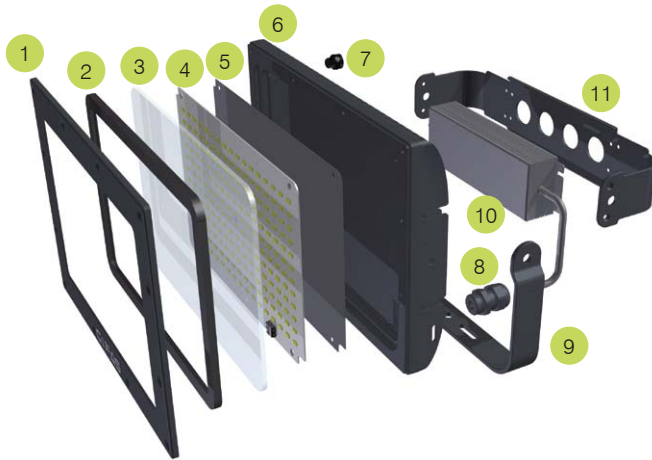
AlphaLUXX 80-120

The Lamp impresses with the enormous efficiency and is also available in a dimmable version.

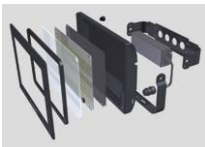
AlphaLUXX 25-60

The AlphaLUXX 25-60 is the practical version for mobile use and convinces with its quality, performance and handling.

AlphaLUXX - Construction / Features



- 1 Die-cast aluminium frame
- 2 U-profile silicon seal
- 3 Front panel (toughened glass or PC)
- 4 LED board
- 5 Heat conducting film
- 6 Die-cast aluminium housing
- 7 Pressure compensation element
- 8 Cable gland
- 9 Mounting bracket
- 10 Power supply
- 11 Power supply bracket



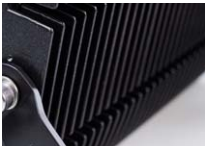
GIFAS Approach

This development is based on the need to manufacture a floodlight which merits the **MADE IN GERMANY** mark of excellence, in terms of performance and quality. With the AlphaLUXX, GIFAS has succeeded in developing a competitive LED floodlight that satisfies the highest demands and can also be used in challenging industrial sectors.



Surface coating

Industrial lights often have problems with dirt gathering on the surface and the associated reduction in cooling capability. The **PTFE surface coating (coll. Teflon®)** on the AlphaLUXX has a very low friction coefficient. Dust and dirt literally „bead“ off the light. Even harsh acids cannot attack a PTFE coating. Improved thermal conductivity results from the four-times thinner PTFE coating, in comparison with powder coating.



Thermal management

Efficient cooling is crucial to the longevity of the LEDs and ultimately affects the whole lighting system. In order to achieve this on a long-term basis for the AlphaLUXX, several technical components have been used for optimum thermal management. These include a heat sink (housing with cooling fins) made of highly thermo-conductive die-cast aluminium, a PTFE surface with a very thin coating and heat conducting film for optimum connection of the contact areas. We can therefore ensure an **operating temperature range of up to 60° C.**



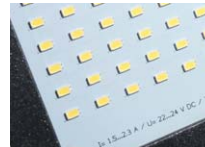
Quality

The components are selected according to the highest quality standards. High-alloy, corrosion-resistant aluminium housing (230D), stainless steel installation material (V4A), LEDs and electronics from reputable manufacturers (Seoul Semiconductor and Meanwell). Individual testing of every light in accordance with DIN EN 60598-1, certified according to ENEC. The specific coordination of the technical components attains a **service life of 80,000 hours.**



Technology

At up to **149 lumens per watt, the tremendous efficiency** of the AlphaLUXX is currently unique in the market. Also available as a dimmable version.



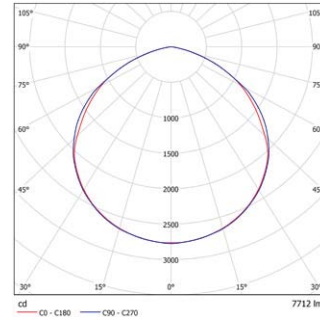
LED

The AlphaLUXX uses exclusively **high-end SMD LEDs** from reputable manufacturers, which are ideal in terms of light quality, lifespan, light color and efficiency. The neutral, white 5000K light and the good color rendering index of over Ra 80, match the maximum human vision in daylight and as a result the best resolution of detail.

AlphaLUXX 25-60



Light intensity distribution at 120°



Product features

- Enormous efficiency of up to 149 lumens per watt
- Robust housing made of corrosion-resistant die-cast aluminium (alloy: 230D)
- Dirt-resistant PTFE surface coating, approved for the food industry
- PC-panel 3 mm
- Custom-made U-profile seal surrounding all sides
- Custom-made, durable, heat-conducting film for lasting, reliable dissipation of heat from the LED board
- Low heat generation thanks to the latest LED technology
- Pressure compensation element for extreme temperature fluctuations
- Full luminous flux is available instantly after switching on
- Low energy consumption with high light output
- Maintenance-free
- Wide operating temperature range (up to 60°C)
- No UV/IR radiation
- Vibration-resistant

Technical data

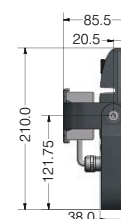
Operating Voltage	100-240 VAC (50/60Hz)
Illuminant	SMD-LEDs
Model	25W / 40W / 60W
System performance	25W / 40W / 60W
Luminous flux	3.544lm / 5.430lm / 7.700lm
System Efficiency	142lm/W / 138lm/W / 130lm/W
Light color	5.000K (4.000K on request)
Beam Angle	120°
CRI (Color reproduction index)	Ra >80
L70/B10	> 80.000h
Type of protection	IP65
Protection class	I
Shock resistance	IK10 (*Version: PC cover)
Dimming	optional 1~10V (DALI with additional module)
Temperature range for operation	25W -30°C to +60°C 40W -30°C to +55°C 60W -30°C to +50°C
Max. surface temperature	+90°C (suitable for use in industrial premises with fire hazards), D rating label
Housing material	Die-cast aluminium, alloy 230D
Housing surface	PTFE-coated
Housing color	black (other colors also available with powder coating)
Cover	3 mm PC clear, optional 3 mm PC satined
Weight	approx. 2,7 kg
Dimensions (LxWxH)	289 x 176 x 85,5 mm
Certification	ENEC, CE, IK10

Front glass with polycarbonate

EDP No.	Product-ID-No.	Description
800083	ALPHALUXX.25W.230VAC.PC.KLAR	Floodlight 100-240VAC, 25W, IP65, 5.000K, 3.544lm, Cover PC 3 mm, clear
800075	ALPHALUXX.40W.230VAC.PC.KLAR	Floodlight 100-240VAC, 40W, IP65, 5.000K, 5.430lm, Cover PC 3 mm, clear
800084	ALPHALUXX.60W.230VAC.PC.KLAR	Floodlight 100-240VAC, 60W, IP65, 5.000K, 7.700lm, Cover PC 3 mm, clear

Accessories

123867	ALPHALUXX-TEE-TUBE. KABELVERBINDER. 3P:16A.400V.IP68	Cable connector THB.391.A3A, PA66GF, screw terminals 0.5-2.5 mm ² , for cables 7-12 mm Connection assignment 3-pin 2/3/4
--------	--	--



AlphaLUXX 80-120

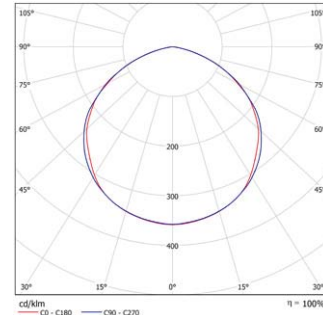


Product features

- Enormous efficiency of up to 149 lumens per watt
- Also available in a dimmable version
- Robust housing made of corrosion-resistant die-cast aluminium (alloy: 230D)
- Dirt-resistant PTFE surface coating, approved for the food industry
- 5 mm toughened glass (ESG), PC panel also available
- Custom-made U-profile seal surrounding all sides
- Custom-made, durable, heat-conducting film for lasting, reliable dissipation of heat from the LED board
- Low heat generation thanks to the latest LED technology
- Pressure compensation element for extreme temperature fluctuations
- Full luminous flux is available instantly after switching on
- Low energy consumption with high light output
- Maintenance-free
- Wide operating temperature range (up to 60°C)
- No UV/IR radiation
- Vibration-resistant

Front glass made of ESG		
EDP No.	Product-ID-No.	Description
800049	ALPHALUXX.80W.230VAC.ESG.KLAR	Floodlight 100-277 VAC, 80W, IP65, 5.000K, 12.801lm, BA 120°, 5 mm ESG clear
800048	ALPHALUXX.100W.230VAC.ESG.KLAR	Floodlight 100-277 VAC, 100W, IP65, 5.000K, 16.432lm, BA 120°, 5 mm ESG clear
800043	ALPHALUXX.120W.230VAC.ESG.KLAR	Floodlight 100-277 VAC, 120W IP65, 5.000K, 18.636lm, BA 120°, 5 mm ESG clear
800052	ALPHALUXX.120W.230VAC.ESG.KLAR	Floodlight 100-277 VAC, 120W, IP65, 5.000K, 18.636lm, BA 120°, 1-10V dimmable
Front glass with polycarbonate		
800074	ALPHALUXX.80W.230VAC.PC.KLAR	Floodlight 100-277 VAC, 80W, IP65, 5.000K, 12.801lm, BA 120°, Cover PC 5 mm, clear, IK10
800098	ALPHALUXX.100W.230VAC.PC.KLAR	Floodlight 100-277 VAC, 100W, IP65, 5.000K, 16.432lm, BA 120°, Cover PC 5 mm, clear, IK10
800054	ALPHALUXX.120W.230VAC.PC.KLAR	Floodlight 100-277 VAC, 120W, IP65, 5.000K, 18.636lm, BA 120°, Cover PC 5 mm, clear, IK10
Accessories		
123867	ALPHALUXX-TEE-TUBE. KABELVERBINDER. 3P.16A.400V.IP68	Cable connector THB.391.A3A, PA66GF, screw terminals 0.5-2.5 mm ² , for cables 7-12 mm Connection assignment 3-pin 2/3/4

Light intensity distribution at 120°



Technical data

Operating Voltage	100-277 VAC (50/60Hz)
Illuminant	SMD-LEDs
Model	80W / 100W / 120W
System performance	86W / 111W / 128W
Luminous flux	12.801lm / 16.432lm / 18.636lm
System Efficiency	149lm/W / 149lm/W / 146lm/W
Light color	5.000K (4.000K on request)
Beam Angle	120°
CRI (Color reproduction index)	Ra >80
L70/B10	> 80.000h
Type of protection	IP65
Protection class	I
Shock resistance	IK10 (*Version: PC cover)
Dimming	optional 1~10V (DALI with additional module)
Temperature range for operation	80W -30°C to +60°C 100W -30°C to +55°C 120W -30°C to +50°C
Max. surface temperature	+90°C (suitable for use in industrial premises with fire hazards), D rating label
Housing material	Die-cast aluminium, alloy 230D
Housing surface	PTFE-coated
Housing color	black (other colors also available with powder coating)
Cover	5 mm ESG clear or 5 mm PC clear, optional 5 mm ESG satined
Weight	approx. 7,0 kg
Dimensions (LxWxH)	389 x 252 x 106,5 mm
Certification	ENEC, CE, IK10



AlphaLUXX 80-120 Ball-proof



Ball-proof according to
DIN VDE 0710-13

AlphaLUXX 80-120 Ball-proof

With the AlphaLUXX ball impact resistant GIFAS offers a robust, safe solution for the lighting of sports facilities.

The AlphaLUXX 80-120 reliably withstands the specific conditions that can affect luminaires in sports hall under ball bombardment, such as handball, indoor football or volleyball, and ensures permanently safe lighting. The stable fixation of the retaining bracket ensures that the spotlight remains reliably in the attached position.

Product features

- Ball-proof design for sports halls according to DIN VDE 0710-13
- Robust housing made of corrosion-resistant die-cast aluminium
- Dirt-repellent PTFE surface coating
- Impact resistant plastic screen (PC)
- Custom-made circumferential U-profile seal
- Low heat generation thanks to state-of-the-art LED technology
- Pressure compensation element for extreme temperature fluctuations
- Full luminous flux immediately after switching on
- Low energy consumption with high luminous efficiency
- Maintenance-free
- Large temperature range (up to 60 °C)
- No UV/IR radiation
- Vibration-resistant

Technical data

Operating Voltage	100-277 VAC (50/60Hz)
Illuminant	SMD-LEDs
Model	80W / 100W / 120W
System performance	86W / 111W / 128W
Luminous flux	12.800lm / 16.500lm / 18.636lm
System Efficiency	149lm/W / 149lm/W / 146lm/W
Light color	5.000K, optional 4.000K
Beam Beam Angle	120°
CRI (Color reproduction index)	Ra >80
L70/B10	> 80.000h
Type of protection	IP66
Protection class	I
Shock resistance	IK10 (*Version: PC cover)
Dimming	optional 1-10V dimming optional DALI interface
Temperature range for operation	80W -30°C to +60°C 100W -30°C to +55°C 120W -30°C to +50°C
Max. surface temperature	+90°C (suitable for use in industrial premises with fire hazards), D rating label
Housing material	Die-cast aluminium, alloy 230D
Housing surface	PTFE-coated
Housing color	black (optional other colors also available)
Cover	5 mm PC clear, optional satined
Weight	approx. 7,0 kg
Dimensions (LxBxH)	389 x 252 x 106,5 mm
Certification	DIN VDE 0710-13, ENEC, CE, IK10

EDP No.	Product-ID-No.	Description
800203	ALPHALUXX.80W.230VAC. PC.KLAR.BALLWURFSICHER	AlphaLUXX Ball-proof, 80W, 5.000K, 12.800lm, PC clear, 230V
800202	ALPHALUXX.100W.230VAC. PC.KLAR.BALLWURFSICHER	AlphaLUXX Ball-proof, 100W, 5.000K, 16.500lm, PC clear, 230V
800201	ALPHALUXX.120W.230VAC. PC.KLAR.BALLWURFSICHER	AlphaLUXX Ball-proof, 120W, 5.000K, 18.636lm, PC clear, 230V



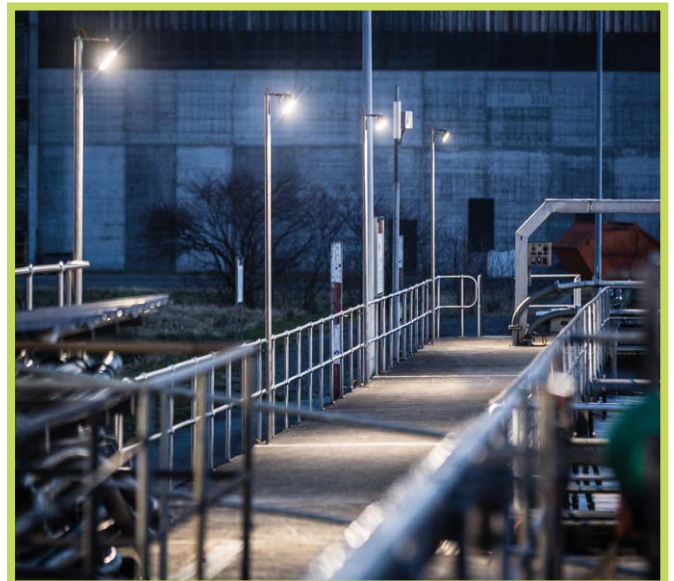
LED Floodlight - AlphaLUXX



AlphaLUXX - lighting of warehouses / storage areas



AlphaLUXX - Facade lighting



AlphaLUXX - Lighting of a wastewater treatment plant



AlphaLUXX - Lighting in the power plant



AlphaLUXX - Tunnel lighting





**LED Floodlight
PLAZA FlatLED**

PLAZA FlatLED - General / Features



Compact Floodlight – PLAZA FlatLED

Slim design, single - LED technology and the latest, highly efficient driver technology were joined for a new LED light - the PLAZA FlatLED of GIFAS-ELECTRIC. In addition to ease of maintenance, high energy efficiency and high reliability, the PLAZA FlatLED is characterized by its simple design. Available in different capacities and various optics, uniform and planar hall lighting, a wide range of outdoor areas or to use for lighting a highbay warehouse - all lighting requirements can be solved.



Compact design

By using the latest advanced technology an extremely thin design and a modern and simple appearance can be achieved.



Light Distribution

The light distribution of the PLAZA FlatLED has been designed to achieve uniformity and a homogeneous illumination situation even over large areas. Through the prism glass used not only the light is optimally protected, the glare is reduced.



Single-LED technology

In order to increase the light output and reliability of the lamp, it has many individual LEDs.



Type of protection

To withstand all odds, it was designed for a protection of IP65 / IP66. So you can always be sure that the light meets all your needs.



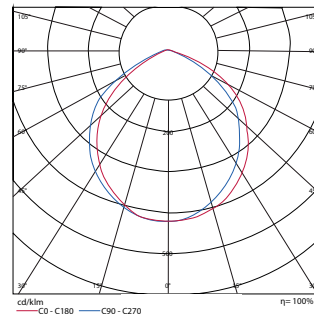
Fixture

Through the flexible fixture, the lamp can be adjusted to achieve the best illumination.

PLAZA FlatLED FLOOD 16W



Light intensity distribution at 120°



Product features

Flat surface floodlight with symmetrical light characteristic. PLAZA FlatLED FLOOD 16W has a slim design, is powder-coated color black, with 5 m supply line H05RN-F and IP44 safety plug.

- Full luminous flux is available immediately
- Lower power consumption with good luminous efficiency
- Minimal temperature development
- Extremely resistant to switching (> 1 million)
- Maintenance-free
- Operates within a broad temperature range -20°C to +50°C
- No UV/IR-radiation
- Not sensitive to impact and vibrations

Use: Indoor and Outdoor

Billboards, driveways, facades and object lighting, civil protection, schools, public building ...

Appropriate for all locations where a broad area of illumination is required.

Included in the box

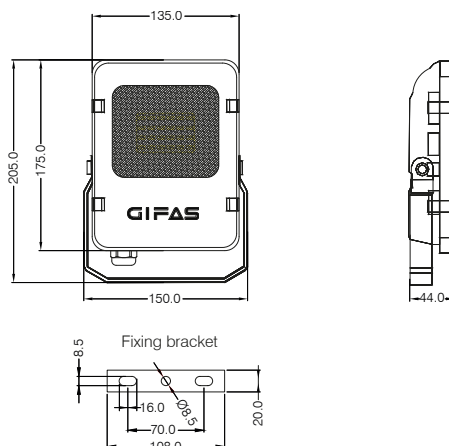
- Fixing bracket for ceiling- wall- or floor-mounting

Optional accessories available (see page 30).

Technical data

Operating Voltage	230VAC / 220VDC
LED Power	16W
Illuminant	SMD-LEDs
System Efficiency	138lm/W
Luminous flux	2.200lm
CRI Index	Ra > 80
L80/B50	> 85.000 Std.
Loss of luminous flux	< 10%
LED resistance to switching	> 1 mio
Color temperature	5.700K
MacAdam	3-step
Temperature range for operation	-20°C to +50°C
Max. surface temperature	+90°C (suitable for use in industrial premises with fire hazards), D rating label
Housing material + reflector	die-cast aluminium
Housing color	black
Cover	5 mm safety-glass
Type of protection / protection class	IP66 / I
Type of protection plug	IP44
Degree of protection against mechanical damage	IK08
Weight	1,3 kg
Dimensions H x W x D	205 x 150 x 44 mm

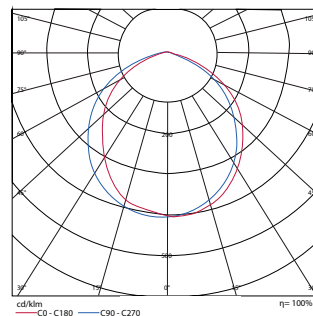
Light color cool white 5.700K		
EDP No.	Product-ID-No.	Watt
840649	PLAZA.FLATLED.FLOOD.16W.CW.230VAC.IP66	16W



PLAZA FlatLED FLOOD 24W



Light intensity distribution at 120°



Product features

Flat surface floodlight with symmetrical light characteristic. Plaza FlatLED FLOOD 24W has a slim design, is powder-coated color black, with 5 m supply line H07RN-F and IP44 safety plug.

- Full luminous flux is available immediately
- Lower power consumption with good luminous efficiency
- Minimal temperature development
- Extremely resistant to switching (>1 million)
- Maintenance-free
- Operates within a broad temperature range -20°C to +50°C
- No UV/IR-radiation
- Not sensitive to impact and vibrations

Use: Indoor and Outdoor

Billboards, driveways, facades and object lighting, civil protection, schools, public building ...

Appropriate for all locations where a broad area of illumination is required.

Included in the box

- Fixing bracket for ceiling- wall- or floor-mounting

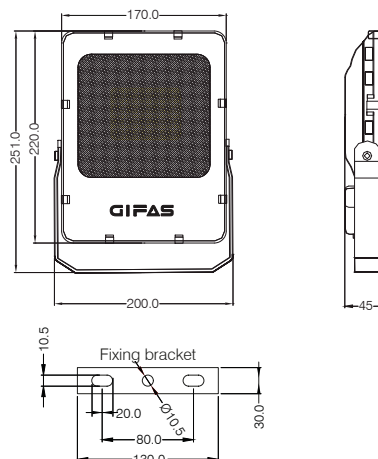
Optional accessories available (see page 30).

Technical data

Operating Voltage	230VAC / 220VDC
LED Power	24W
Illuminant	SMD-LEDs
System Efficiency	142lm/W
Luminous flux	3.400lm
CRI Index	Ra>80
L80/B50	>85.000 Std.
Loss of luminous flux	<10%
LED resistance to switching	>1 mio
Color temperature	5.700K
MacAdam	3-step
Temperature range for operation	-20°C to +50°C
Max. surface temperature	+90°C (suitable for use in industrial premises with fire hazards), D rating label
Housing material + reflector	die-cast aluminium
Housing color	black
Cover	5 mm safety-glass
Type of protection / protection class	IP66 / I
Type of protection plug	IP44
Degree of protection against mechanical damage	IK08
Weight	2,3 kg
Dimensions H x W x D	251 x 200 x 45 mm

Light color cool white 5.700K

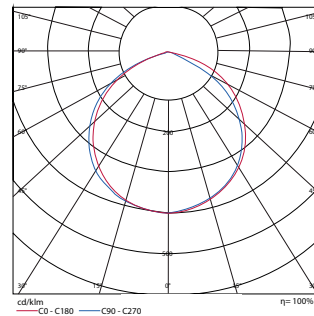
EDP No.	Product-ID-No.	Watt
800039	PLAZA.FLATLED.FLOOD.24W.CW.230VAC.IP66	24W



PLAZA FlatLED FLOOD 48W



Light intensity distribution at 120°



Product features

Flat surface floodlight with symmetrical light characteristic. Plaza FlatLED FLOOD 48W has a slim design, is powder-coated color black, with 5 m supply line H07RN-F and IP44 safety plug.

- Full luminous flux is available immediately
- Lower power consumption with good luminous efficiency
- Minimal temperature development
- Extremely resistant to switching (> 1 million)
- Maintenance-free
- Operates within a broad temperature range -20°C to +50°C
- No UV/IR-radiation
- Not sensitive to impact and vibrations

Use: Indoor and Outdoor

Billboards, driveways, facades and object lighting, civil protection, schools, public building ...

Appropriate for all locations where a broad area of illumination is required.

Included in the box

- Fixing bracket for ceiling- wall- or floor-mounting

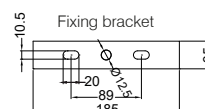
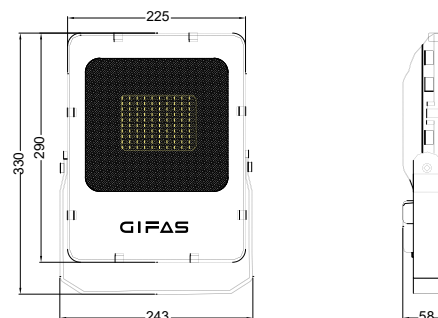
Optional accessories available (see page 30).

Technical data

Operating Voltage	230VAC / 220VDC
LED Power	48W
Illuminant	SMD-LEDs
System Efficiency	150lm/W
Luminous flux	7.500lm
CRI Index	Ra > 80
L80/B50	> 85.000 Std.
Loss of luminous flux	< 10%
LED resistance to switching	> 1 mio
Color temperature	5.700K
MacAdam	3-step
Temperature range for operation	-20°C to +50°C
Max. surface temperature	+90°C (suitable for use in industrial premises with fire hazards), D rating label
Housing material + reflector	die-cast aluminium
Housing color	black
Cover	5 mm safety-glass
Type of protection / protection class	IP66 / I
Type of protection plug	IP44
Degree of protection against mechanical damage	IK08
Weight	4,1 kg
Dimensions H x W x D	330 x 243 x 58 mm

Light color cool white 5.700K

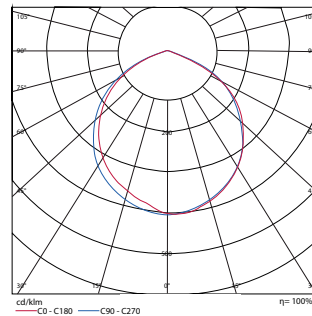
EDP No.	Product-ID-No.	Watt
800040	PLAZA.FLATLED.FLOOD.48W.CW.230VAC.IP66	48W



PLAZA FlatLED FLOOD 72W



Light intensity distribution at 120°



Product features

Flat surface floodlight with symmetrical light characteristic. Plaza FlatLED FLOOD 72W has a slim design, is powder-coated color black, with 5 m supply line H07RN-F and IP44 safety plug.

- Full luminous flux is available immediately
- Lower power consumption with good luminous efficiency
- Minimal temperature development
- Extremely resistant to switching (>1 million)
- Maintenance-free
- Operates within a broad temperature range -20°C to +50°C
- No UV/IR-radiation
- Not sensitive to impact and vibrations

Use: Indoor and Outdoor

Billboards, driveways, facades and object lighting, civil protection, schools, public building ...

Appropriate for all locations where a broad area of illumination is required.

Included in the box

- Fixing bracket for ceiling- wall- or floor-mounting

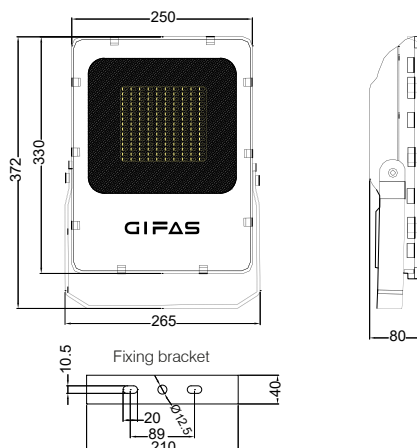
Optional accessories available (see page 30).

Technical data

Operating Voltage	230VAC / 220VDC
LED Power	72W
Illuminant	SMD-LEDs
System Efficiency	150lm/W
Luminous flux	10.180lm
CRI Index	Ra>80
L80/B50	>85.000 Std.
Loss of luminous flux	<10%
LED resistance to switching	>1 mio
Color temperature	5.700K
MacAdam	3-step
Temperature range for operation	-20°C to +50°C
Max. surface temperature	+90°C (suitable for use in industrial premises with fire hazards), D rating label
Housing material + reflector	die-cast aluminium
Housing color	black
Cover	5 mm safety-glass
Type of protection / protection class	IP66 / I
Type of protection plug	IP44
Degree of protection against mechanical damage	IK08
Weight	5,5 kg
Dimensions H x W x D	372 x 265 x 80 mm

Light color cool white 5.700K

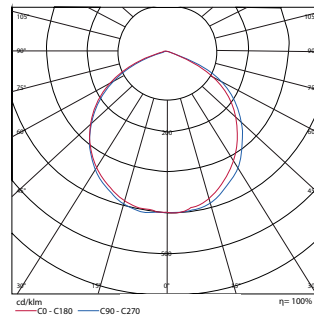
EDP No.	Product-ID-No.	Watt
800041	PLAZA.FLATLED.FLOOD.72W.CW.230VAC.IP66	72W



PLAZA FlatLED FLOOD 150W



Light intensity distribution at 120°



Product features

Flat surface floodlight with symmetrical light characteristic. Plaza FlatLED FLOOD 150W has a slim design, is powder-coated color black, with 5 m supply line H07RN-F and IP44 safety plug.

- Full luminous flux is available immediately
- Lower power consumption with good luminous efficiency
- Minimal temperature development
- Extremely resistant to switching (>1 million)
- Maintenance-free
- Operates within a broad temperature range -20°C to +50°C
- No UV/IR-radiation
- Not sensitive to impact and vibrations

Use: Indoor and Outdoor

Billboards, driveways, facades and object lighting, civil protection, schools, public building ...

Appropriate for all locations where a broad area of illumination is required.

Included in the box

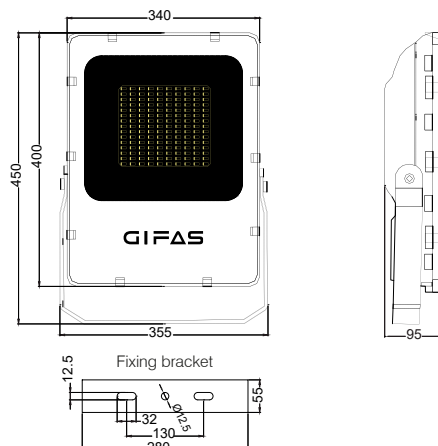
- Fixing bracket for ceiling- wall- or floor-mounting

Optional accessories available (see page 30).

Technical data

Operating Voltage	230VAC / 220VDC
LED Power	150W
Illuminant	SMD-LEDs
System Efficiency	150lm/W
Luminous flux	21.220lm
CRI Index	Ra > 80
L80/B50	> 85.000 Std.
Loss of luminous flux	< 10%
LED resistance to switching	> 1 mio
Color temperature	5.700K
MacAdam	3-step
Temperature range for operation	-20°C to +50°C
Max. surface temperature	+90°C (suitable for use in industrial premises with fire hazards), D rating label
Housing material + reflector	die-cast aluminium
Housing color	black
Cover	5 mm safety-glass
Type of protection / protection class	IP66 / I
Type of protection plug	IP44
Degree of protection against mechanical damage	IK08
Weight	9,0 kg
Dimensions H x W x D	450 x 355 x 95 mm

Light color cool white 5.700K		
EDP No.	Product-ID-No.	Watt
840359	PLAZA.FLATLED.FLOOD.150W.CW.230VAC.IP66	150W



Wall bracket for PLAZA FlatLED (16W - 150W)

LED Floodlight - PLAZA FlatLED

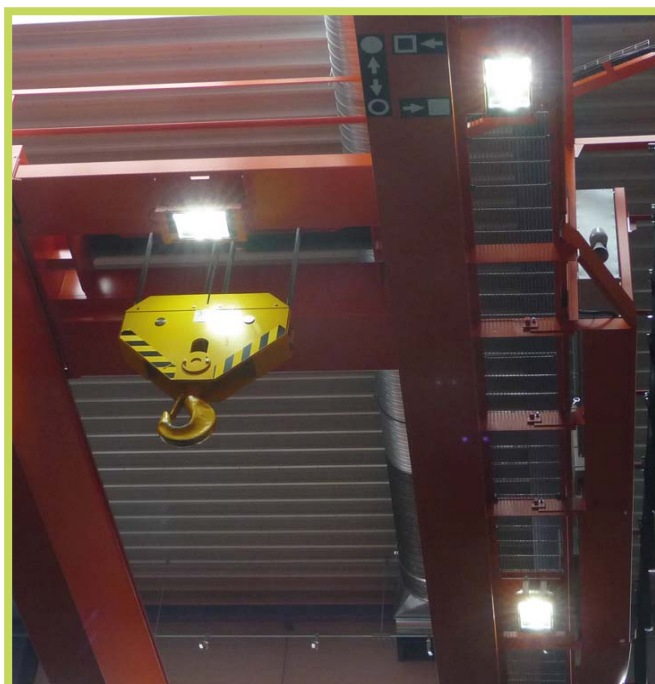
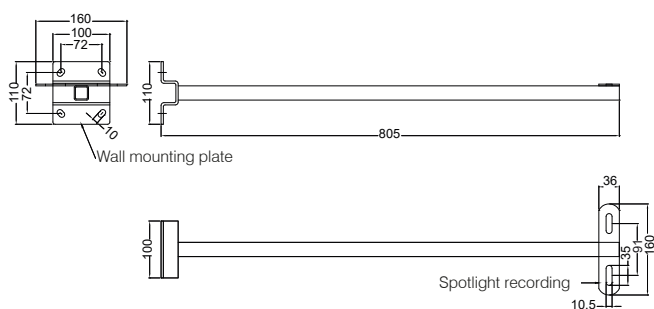


Allows the lamp to be installed at a distance of 80cm from walls and floors. In accordance to the light the wall bracket is also kept in black.

EDP No.	Product-ID-No.
119598	PLAZA.FLATLED.12-150W.WANDAUSLEGER.80CM



PLAZA FlatLED - Bridge lighting



PLAZA - Crane lighting

LED Floodlight - PLAZA FlatLED



PLAZA FlatLED - Parking lot lighting



PLAZA - Area lighting in halls



PLAZA - Lighting in waste incineration plant



PLAZA FlatLED - Lighting in a transformer station



PLAZA - Lighting in foundry

CONTACT US



GIFAS
ELECTRIC

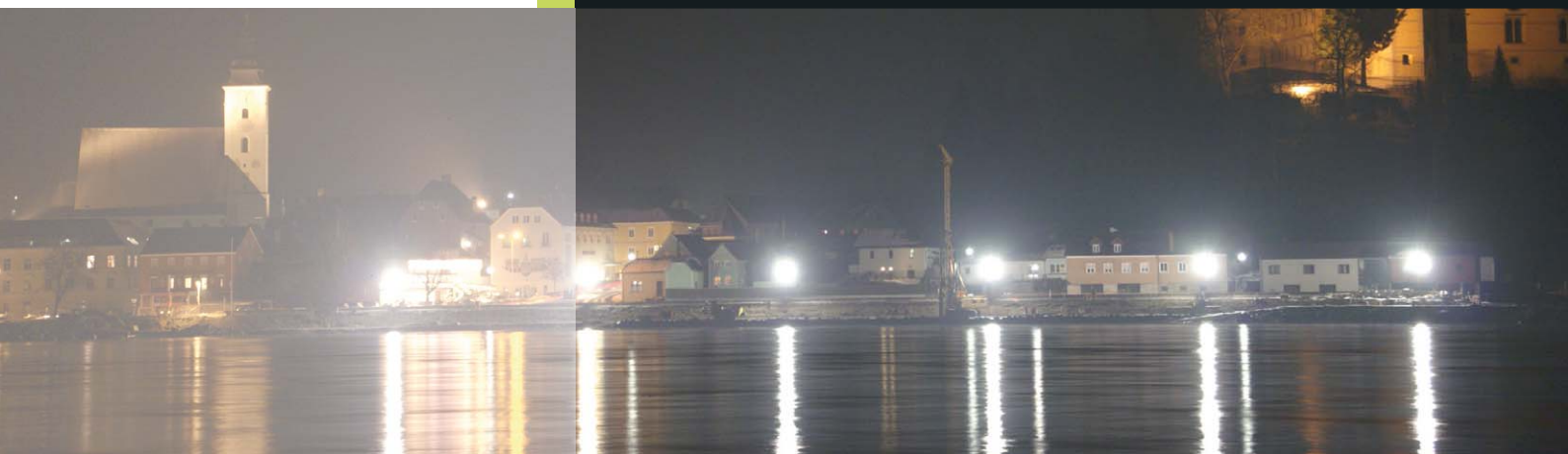
GIFAS ELECTRIC
Gesellschaft m.b.H
Strass 2
5301 Eugendorf
AUSTRIA

🌐 www.gifas.at
✉ verkauf@gifas.at
☎ +43 6225/7191-0
☎ +49 8654/404-2000

SYSTEMATIC QUALITY

Large area lighting High performance spotlights

for indoor and outdoor use
(stationary or mobile)



GIFAS
ELECTRIC

7.2

LED Large area lighting

Page 6 - 7

ApolloLED2N ApolloLED ECO



Page 6



Page 7

LED High performance spotlights

Page 12 - 19

HPL 75W



Page 13

HPL 150W



Page 14

HPL 300W



Page 15

HPL 450W



Page 16

HPL 900W



Page 17

HPL 1350W



Page 18

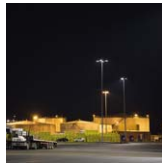
Application examples

Apollo



Page 8 - 9

HPL



Page 19

The large area lighting Apollo can be used either standing on a tripod or hanging from a crane / ceiling. It has an enormous illumination area of up to 700 m².

Accessories

The high-performance lamp HPL (modular design) with up to 197.000lm has a single LED technology and the latest, highly efficient driver technology. The module banks and the lamp can be adjusted independently of each other. Due to the availability of various services, various optics and light colors, all lighting requirements can be solved by the uniform and flat slope and construction site lighting.

Page 19



LED Large area lighting



ApolloLED2N



Product features

Efficient: illumination area of more than 700 square meters. Good illumination increases the quality of work and reduces the risk of accidents. This ensures the safety of the work sites.

Robust: high degree of stability, even with high wind speeds!

Practical: does not take up a lot of space and can be ready for use without much effort. Delivered in an impact-resistant flight case for optimal protection.

Flexible illumination: unilateral minimize glare by switching off half the bulbs.

Advantages

- Latest LED technology enables a high light efficiency without any increase of power consumption!
- An optimum heat evolution ensures an exceptionally low outside temperature. Even after continuous operation for hours, the light is only slightly warm, thus a safe dismantling and packing is possible immediately after use!
- The light distribution can be switched from 360 degrees to 180 degrees.
- She can be used standing (on a tripod) or hanging (hanging eye)

Features

- Full power, immediately after switching-on
- Even at extremely low temperatures ready to use
- Low wind load
- No pre-heating period, No cooling down period
- Robust design, bulbs cannot crack or break
- Handy as well as quick and easy assembly by one person
- Operation with built-in power supplies

Technical data

Operating Voltage	230V
Illuminant	896x0,5W SMD-LEDs
Power consumption	240/480W*
Luminous flux	to 53.760lm
LED Power	120lm/W
Light color	5.000 K
LED-Operating life	> 50.000h
Temperature range for operation	-25°C to +50°C
Housing material	plastic
Cover	plastic
Power supply	2
Opt. mounting height	3500 mm
Illumination area	more than 700 m ²
Full power	immediately
Type of protection	IP44 (IP54 from above)
Protection class	I
Dimensions (Ø x L)	205 x 900 mm
Weight	11 kg

Carrying Case

Dimensions (W x L x H)	280 x 1180 x 300 mm
Weight	8,6 kg

Tripod

Dimensions:	
Height extended	3.580 mm
Diameter/ root circle	1.280 mm
Maximum load	30 kg
Weight	21,5 kg

* LED output depending on the mode of operation

ApolloLED2N with transport case			
EDP No.	Product-ID-No.	Cable / tripod	Volt
115955	APOLLO.LED.2N.230V.440W.CW.5000K.S5.FC	5 m	230V
115956	APOLLO.LED.2N.230V.440W.CW.5000K.S5.FC.SET	5 m / incl. Tripod	230V

Spares / Accessories		
EDP No.	Product-ID-No.	Description
88403	STATIV.APOLLO.TRAGLAST.30KG.185-380CM.KURBEL	Crank tripod stand, chrome steel with 3 feet
89447	FUSSPLATTE.STATIV.APOLLO.GARNITUR	3 foot plates for tripod
115932	APOLLO.STATIVTASCHE	Carrying case for tripod

ApolloLED ECO



ApolloLED ECO with tripod joint tilt up to a maximum of 45 degrees

Product features

The tried-and-tested Apollo light is entering the next generation: ApolloLED ECO is a true power guarantee (156lm/W) with reduced height and lower weight thanks to the latest high-end SMD LEDs.

The accessories, such as the transport bag and tripod, are now also more handy and make the ApolloLED ECO system a practical large area luminaire in a compact design.

Advantages

- The latest LED technology ensures an especially highly energy and light efficient operation.
- 8 LED modules equipped with 480 SMD-LEDs allow a completely symmetrical light distribution, which almost eliminates shadow effects.
- Optimum heat dissipation ensures an extraordinarily low housing temperature; even after hours of continuous operation, the luminaire remains warm to the touch. This enables safe dismantling and immediate packing after use.

Features

- Full power, immediately after switching-on
- Even at extremely low temperatures ready to use
- Low wind load
- No pre-heating period, No cooling down period
- Robust design, bulbs cannot crack or break
- Handy as well as quick and easy assembly by one person
- Operation with built-in power supplies

Technical data

Operating Voltage	100~277VAC
Illuminant	480x0,5W SMD-LEDs
Power consumption	300W
Luminous flux	to 32.320lm
LED Power	156lm/W
Light color	5.000K
LED-Operating life	> 50.000h
Temperature range for operation	-25°C to +50°C
Housing material	plastic
Cover	plastic
Power supply	1
Opt. mounting height	2.700 mm
Illumination area	more than 600 m ²
Full power	immediately
Type of protection	IP44 (IP54 from above)
Protection class	I
Dimensions (Ø x L)	208 x 600 mm
Weight	7,5 kg

Transporttasche

Dimensions (Ø x L)	210 x 650 mm
Weight	0,3 kg

Stativ

Dimensions:	
Height extended	2400 mm
Diameter/ root circle	1280 mm
Maximum load	40 kg
Weight	9,4 kg

ApolloLED ECO		
EDP No.	Product-ID-No.	Description
126303	APOLLO.LED.ECO.230V.250W.O.ZUL.	Surface light ApolloLED Eco 230V System power 300W, up to 32.320lm without cable, without transport case, 5.000K, IP44 SK:I

Spares / Accessories		
EDP No.	Product-ID-No.	Description
126304	APOLLO.LED.ECO.STATIV	Crank tripod stand for ApolloLED ECO height: min.1500 mm, max. 2400 mm, load capacity: up to 40 kg
126305	APOLLO.LED.ECO.TASCHE	Carrying case for ApolloLED ECO
111825	APOLLO.STATIVGE-LENK.15/30/45°	Hinge for Apollo tripod 230V 8 x 80 Watt 3 settings 15 / 30 / 45° max: up to 45° possible.
115931	APOLLOLED.S.5.4315.GG.GERÄTEKUPPLUNG.3PE*	Device connection cable 5m 3 x 1,5 H07RN-F with plug and device coupling 3P+E Amphenol

*The connecting cable is a mandatory accessory.

Large area lighting



Apollo - Fire brigade use



ApolloLED - Lighting on construction sites



ApolloLED - for lighting during road / forest work

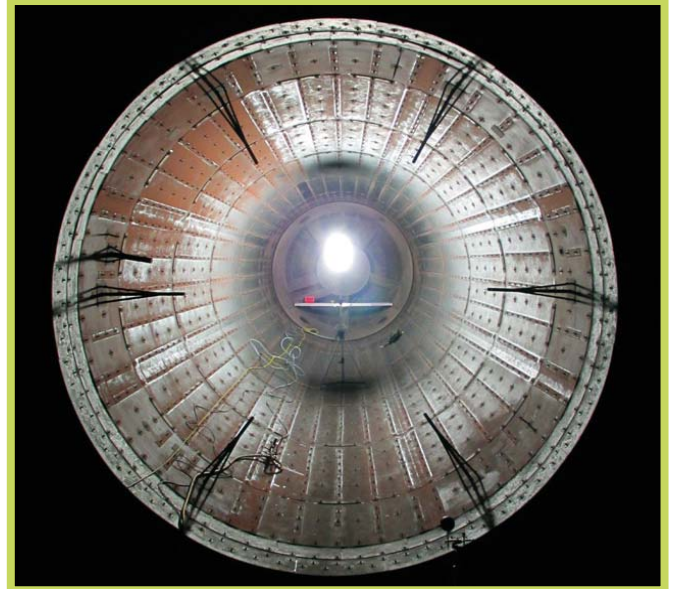


Apollo - Firefighters association NÖ

Large area lighting



ApolloLED ECO - Lighting during revision work in a power plant



ApolloLED - Turbine lighting for revisions



Apollo - Mountain rescue use



ApolloLED - Construction site use



LED High performance spotlights



HPL - General / Features



Modular high-performance Spotlight – HPL High Power LED

Modular construction, single - LED technology and the latest, highly efficient driver technology were joined for a new LED light, the HPL of GIFAS - Electric. In addition to ease of maintenance, high energy efficiency and high reliability, the HPL is characterized by its simple design. Available in different capacities and various optics and light colors, all lighting requirements can be met from uniform and area-wide runway and construction site lighting across the most diverse outdoor areas to the lighting of a tower crane.



Free-swiveling module benches

The infinitely swiveling modular benches (450W each) can be easily swiveled when the luminaire is mounted in order to achieve optimum illumination and uniformity, depending on the lighting situation. We recommend aligning the module banks in the dark to adjust the setting perfectly to the application.



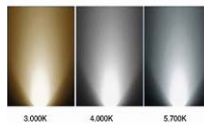
Swiveling bracket

The 270 ° swiveling bracket allows universal use of the lamp, depending on the mounting situation, the bracket can be adjusted accordingly. Thus, the light is well prepared for any mounting situation.



Optics

To ensure that the light distribution is ensured uniform and homogeneous over a large area, each LED is equipped with a single lens. This allows a specific direction of the light and increases the quality of lighting.



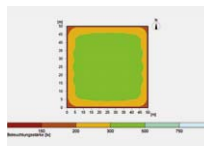
LED Light color

To meet a wide range of applications and requirements, the HPL is available in 3 light colors (3.000 / 4.000 / 5.700 Kelvin).



Driver electronics

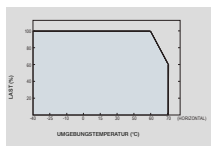
The latest, highly efficient driver technology ensures low power losses (> 0.98) and safe operation of the LED lamp. The easily accessible position of the driver under an easy-to-disassemble protective cover, the driver can be replaced quickly, easily and safely. The protective cover provides additional driver protection against external influences.



Beam Angle

Different symmetrical and asymmetric beam angles allow uniform and areal illumination of large areas and places (eg construction sites, ski slopes, outdoor storage areas, ...). The combination of beam angle, inclination adjustment and

freely pivoting module banks makes the luminaire an all-rounder in the high-performance range of LED luminaires.



Thermal management

To avoid damaging the LED driver and the LED modules, the HPL lamp has an integrated thermal management. With an increase in temperature, the light regulates first down to 60% of the light power. If temperature further increases the HPL will get turned off completely.



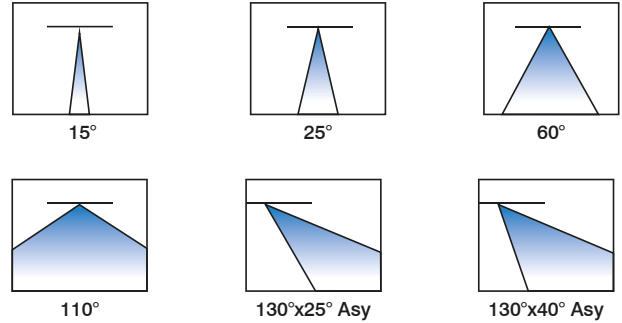
Color consistency

In order to achieve a constant brightness the LED module's light source is reduced by the LED driver. This ensures that the luminaire does not lose its luminosity over its lifetime and is still as bright as at the beginning of its life even after many years.

HPL 75W



Available Beam Angle



Product features

Modular LED light with symmetrical or asymmetrical light distribution and single-LED technology.
The HPL 75W has a slim design, is powder coated in color black, with 1.5 m cable and pre-installed plug connection for easy installation.

- Full luminous flux is available immediately
- Lower power consumption with good luminous efficiency
- Minimal temperature development
- Extremely resistant to switching (> 1 million)
- Operates within a broad temperature range: -40°C to +50°C
- No UV/IR-radiation
- Not sensitive to impact and vibrations

Range of application

Appropriate for all locations for which a broad area of illumination is required.

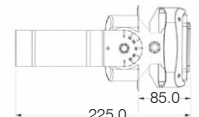
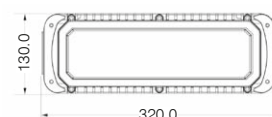
- Construction sites
- Ski slope
- Open space
- Industry, commerce..

Technical data

LED Power	75W
System performance	78W
Operating Voltage	100 - 240VAC
LED Efficiency	130lm/W
CRI-Index	Ra>80
L80/B50	>97.000h
LED resistance to switching	>1 mio
MacAdam	3-step
Temperature range for operation	-40°C to +50°C
Integrated thermal management	yes
Max. Surface temperature	+90°C (suitable for use in industrial premises with fire hazards)
	D-rating label
Dimmable	yes
Housing material	aluminium
Housing color	black
Type of protection	IP66
Protection class	I
Degree of protection against mechanical damage	IK10
Weight	3.2 kg
Dimensions L x W x H*	320 x 130 x 225 mm
Swivel range bracket	270°

*H = with the bracket folded back

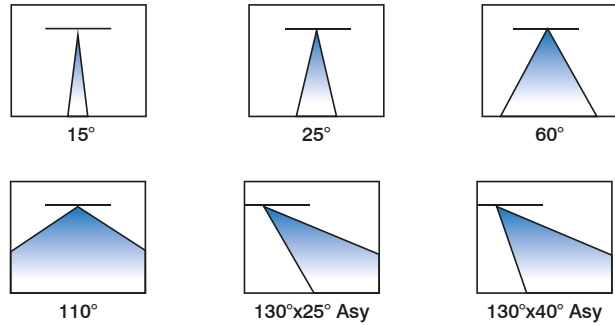
LED Light color 5.700K			
EDP No.	Product-ID-No.	Beam Angle	Luminous flux
134617	HPL.75W.110°.5700K.9200.LM.DIM.HI.M	110° symmetrical	9.200lm



HPL 150W



Available Beam Angle



Product features

Modular LED light with symmetrical or asymmetrical light distribution and single-LED technology. The HPL 150W has a slim design, is powder coated in color black, with 1.5 m cable and pre-installed plug connection for easy installation.

- Full luminous flux is available immediately
- Lower power consumption with good luminous efficiency
- Minimal temperature development
- Extremely resistant to switching (>1 million)
- Operates within a broad temperature range: -40°C to +50°C
- No UV/IR-radiation
- Not sensitive to impact and vibrations

Range of application

Appropriate for all locations for which a broad area of illumination is required.

- Construction sites
- Ski slope
- Open space
- Industry, commerce..

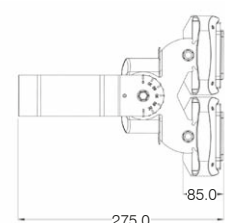
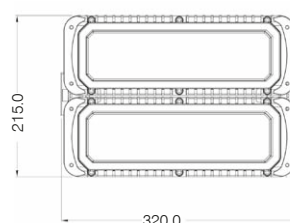
Technical data

LED Power	150W
System performance	154W
Operating Voltage	100 - 240VAC
LED Efficiency	130lm/W
CRI-Index	Ra > 80
L80/B50	> 97.000h
LED resistance to switching	> 1 mio
MacAdam	3-step
Temperature range for operation	-40°C to +50°C
Integrated thermal management	yes
Max. Surface temperature	+90°C (suitable for use in industrial premises with fire hazards)
	D-rating label
Dimmable	yes
Housing material	aluminium
Housing color	black
Type of protection	IP66
Protection class	I
Degree of protection against mechanical damage	IK10
Weight	4.8 kg
Dimensions L x W x H*	320 x 215 x 275 mm
Swivel range bracket	270°

*H = with the bracket folded back

LED Light color 5.700K			
EDP No.	Product-ID-No.	Beam Angle	Luminous flux
130173	HPL.150W.110°.5700K.18400.LM.DIM.HI.M	110° symmetrical	18.400lm

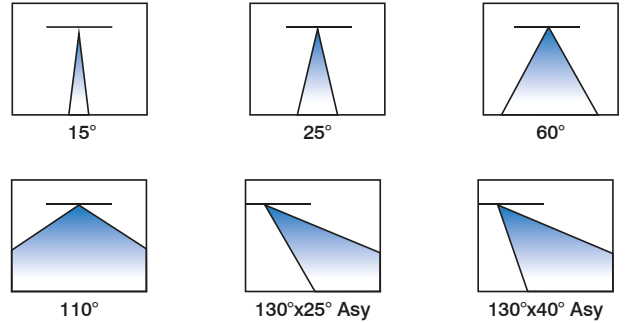
LED Light color 4.000K			
EDP No.	Product-ID-No.	Beam Angle	Luminous flux
131350	HPL.150W.15°.4000K.19000.LM.DIM.HI.M	15° symmetrical	19.000lm



HPL 300W



Available Beam Angle



Product features

Modular LED light with symmetrical or asymmetrical light distribution and single-LED technology. The HPL 300W has a slim design, is powder coated in color black, with 1.5 m cable and pre-installed plug connection for easy installation.

- Full luminous flux is available immediately
- Lower power consumption with good luminous efficiency
- Minimal temperature development
- Extremely resistant to switching (> 1 million)
- Operates within a broad temperature range: -40°C to +50°C
- No UV/IR-radiation
- Not sensitive to impact and vibrations

Range of application

Appropriate for all locations for which a broad area of illumination is required.

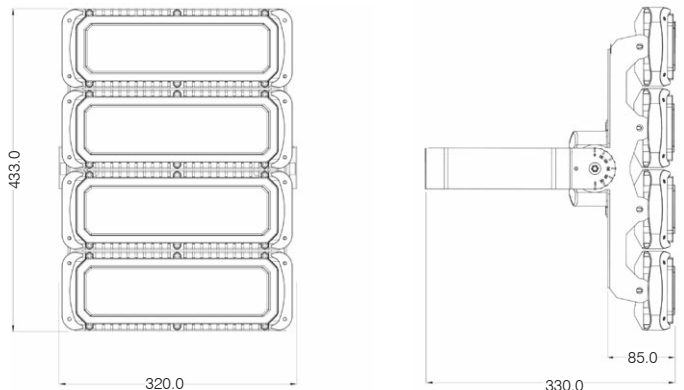
- Construction sites
- Ski slope
- Open space
- Industry, commerce..

Technical data

LED Power	300W
System performance	310W
Operating Voltage	100 - 240VAC
LED Efficiency	130lm/W
CRI-Index	Ra>80
L80/B50	>97.000h
LED resistance to switching	>1 mio
MacAdam	3-step
Temperature range for operation	-40°C to +50°C
Integrated thermal management	yes
Max. Surface temperature	+90°C (suitable for use in industrial premises with fire hazards)
	D-rating label
	yes
Dimmable	yes
Housing material	aluminium
Housing color	black
Type of protection	IP66
Protection class	I
Degree of protection against mechanical damage	IK10
Weight	8.7 kg
Dimensions L x W x H*	320 x 433 x 330 mm
Swivel range bracket	270°

*H = with the bracket folded back

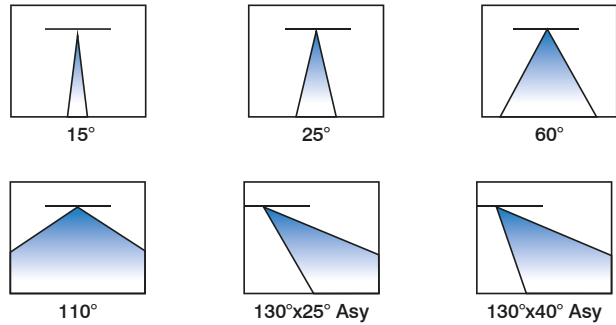
LED Light color 5.700K			
EDP No.	Product-ID-No.	Beam Angle	Luminous flux
130174	HPL.300W.110°.5700K. 37500.LM.DIM.HI.M	110° symmetrical	37.500lm



HPL 450W



Available Beam Angle



Product features

Modular LED light with symmetrical or asymmetrical light distribution and single-LED technology. The HPL 450W has a slim design, is powder coated in color black, with 1.5 m cable and pre-installed plug connection for easy installation.

- Full luminous flux is available immediately
- Lower power consumption with good luminous efficiency
- Minimal temperature development
- Extremely resistant to switching (>1 million)
- Operates within a broad temperature range: -40°C to +50°C
- No UV/IR-radiation
- Not sensitive to impact and vibrations

Range of application

Appropriate for all locations for which a broad area of illumination is required.

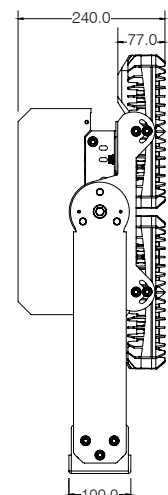
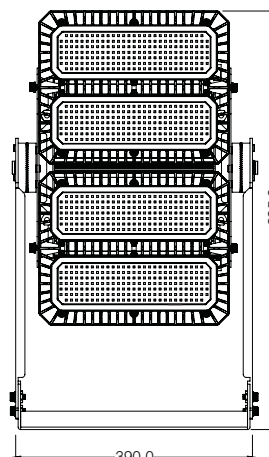
- Construction sites
- Ski slope
- Open space
- Industry, commerce..

Technical data

LED Power	450W
System performance	460W
Operating Voltage	100 - 240VAC
LED Efficiency	130lm/W
CRI-Index	Ra>80
L80/B50	>97.000h
LED resistance to switching	>1 mio
MacAdam	3-step
Temperature range for operation	-40°C to +50°C
Integrated thermal management	yes
Max. Surface temperature	+90°C (suitable for use in industrial premises with fire hazards)
	D-rating label
Dimmable	yes
Housing material	aluminium
Housing color	black
Type of protection	IP66
Protection class	I
Degree of protection against mechanical damage	IK10
Weight	13.4 kg
¹ Dimensions L x W x H*	628 x 324 x 275 mm
² Dimensions L x W* x T	390 x 685 x 240 mm
Swivel range bracket	270°

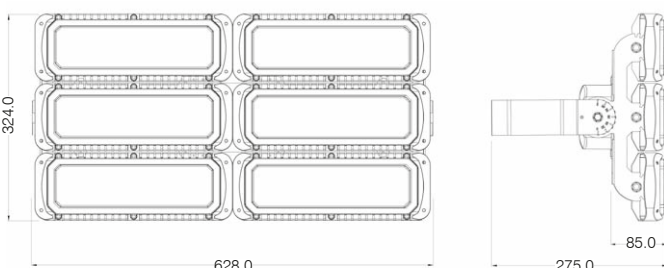
*H = with the bracket folded back

²Dimensions



LED Light color 5.700K			
EDP No.	Product-ID-No.	Beam Angle	Luminous flux
130175	HPL.450W.110°.5700K.57000.LM.DIM.HI.M	110° symmetrical (¹ Dimensions)	57.000lm
133061	HPL.450W.130X40°.5700K.65700.LM.DIM.HI.M	130° x 40° asymmetrical (² Dimensions)	65.700lm

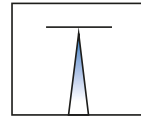
¹Dimensions



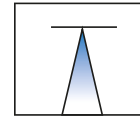
HPL 900W



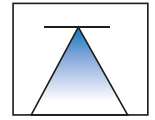
Available Beam Angle



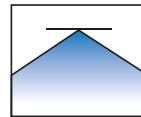
15°



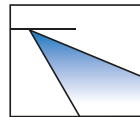
25°



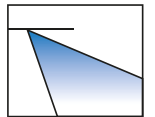
60°



110°



130°x25° Asy



130°x40° Asy

Product features

Modular LED light with symmetrical or asymmetrical light distribution and single-LED technology.

The HPL 900W has a slim design, is powder coated in color black, with 0.8 m cable and pre-installed plug connection for easy installation.

- Full luminous flux is available immediately
- Lower power consumption with good luminous efficiency
- Minimal temperature development
- Extremely resistant to switching (> 1 million)
- Operates within a broad temperature range: -40°C to +50°C
- No UV/IR-radiation
- Not sensitive to impact and vibrations

Range of application

Appropriate for all locations for which a broad area of illumination is required.

- Construction sites
- Ski slope
- Open space
- Industry, commerce..

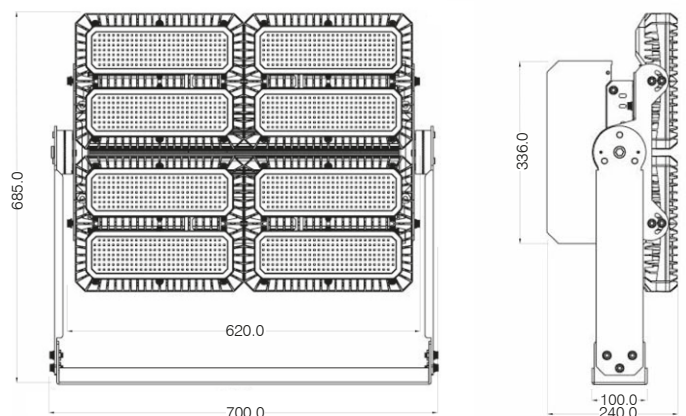
Technical data

LED Power	900W
System performance	920W
Operating Voltage	100 - 240VAC
LED Efficiency	150lm/W
CRI-Index	Ra>80
L80/B50	>97.000h
LED resistance to switching	>1 mio
MacAdam	3-step
Temperature range for operation	-40°C to +50°C
Integrated thermal management	yes
Max. Surface temperature	+90°C (suitable for use in industrial premises with fire hazards)
	D-rating label
	yes
Dimmable	yes
Housing material	aluminium
Housing color	black
Type of protection	IP66
Protection class	I
Degree of protection against mechanical damage	IK10
Weight	28.7 kg
Dimensions L x W* x T	700 x 685 x 240 mm
Swivel range bracket	270°

* W = with the bracket folded down

LED Light color 5.700K			
EDP No.	Product-ID-No.	Beam Angle	Luminous flux
129651	HPL.900W.60°.5700K.134000.LM.DIM.HI.M	60° symmetrical	134.000lm
131153	HPL.900W.130X40°.5700K.134000.LM.DIM.HI.M	130° x 40° asymmetrical	134.000lm

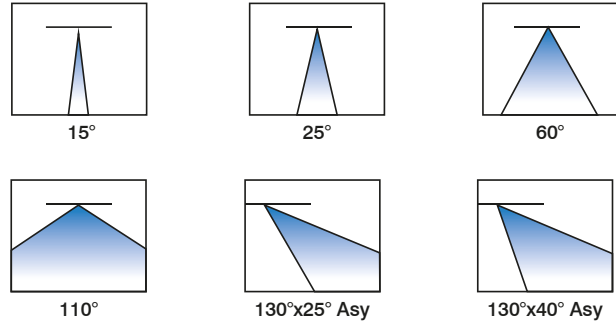
LED Light color 4.000K			
EDP No.	Product-ID-No.	Beam Angle	Luminous flux
130834	HPL.900W.110°.4000K.132300.LM.DIM.HI.M	110° symmetrical	132.300lm
131152	HPL.900W.130X40°.4000K.134000.LM.DIM.HI.M	130° x 40° asymmetrical	134.000lm



HPL 1350W



Available Beam Angle



Product features

Modular LED light with symmetrical or asymmetrical light distribution and single-LED technology. The HPL 1350W has a slim design, is powder coated in color black, with 0.8 m cable and pre-installed plug connection for easy installation.

- Full luminous flux is available immediately
- Lower power consumption with good luminous efficiency
- Minimal temperature development
- Extremely resistant to switching (> 1 million)
- Operates within a broad temperature range: -40°C to +50°C
- No UV/IR-radiation
- Not sensitive to impact and vibrations

Range of application

Appropriate for all locations for which a broad area of illumination is required.

- Construction sites
- Ski slope
- Open space
- Industrie, Gewerbe

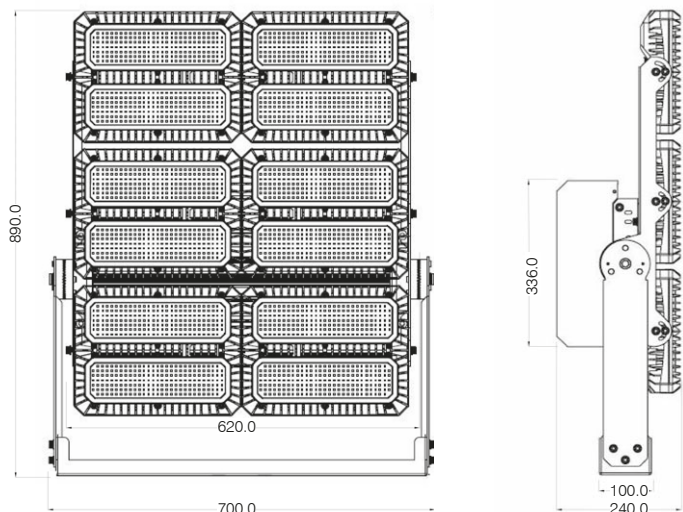
Technical data

LED Power	1.350W
System performance	1.380W
Operating Voltage	100 - 240VAC
LED Efficiency	150lm/W
CRI-Index	Ra > 80
L80/B50	> 97.000h
LED resistance to switching	> 1 mio
MacAdam	3-step
Temperature range for operation	-40°C to +50°C
Integrated thermal management	yes
Max. Surface temperature	+90°C (suitable for use in industrial premises with fire hazards)
	D-rating label
Dimmable	yes
Housing material	aluminium
Housing color	black
Type of protection	IP66
Protection class	I
Degree of protection against mechanical damage	IK10
Weight	37.3 kg
Dimensions L x W* x T	700 x 890 x 240 mm
Swivel range bracket	270°

* W = with the bracket folded down

LED Light color 5.700K			
EDP No.	Product-ID-No.	Beam Angle	Luminous flux
129648	HPL.1350W.110°.5700K.197600.LM.DIM.HI.M	110° symmetrical	197.600lm
131057	HPL.1350W.60°.5700K.197600.LM.DIM.HI.M	60° symmetrical	197.600lm
131409	HPL.1350W.25°.5700K.197600.LM.DIM.HI.M	25° symmetrical	197.600lm
131058	HPL.1350W.130x40°.5700K.200000.LM.DIM.HI.M	130° x 40° asymmetrical	200.000lm

LED Light color 3.000K			
EDP No.	Product-ID-No.	Beam Angle	Luminous flux
130170	HPL.1350W.130x40°.3000K.200000.LM.DIM.HI.M	130° x 40° asymmetrical	200.000lm

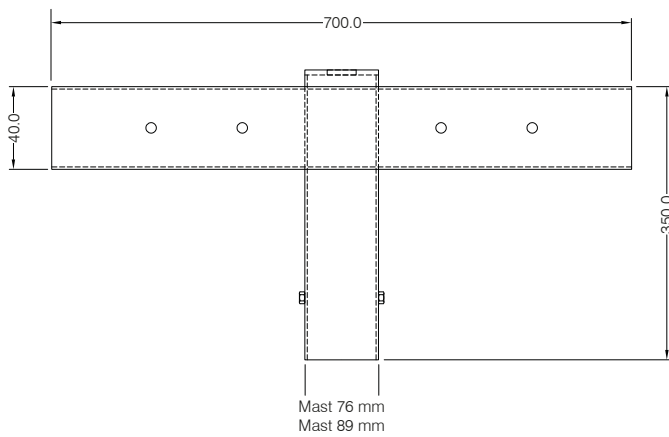


Mast attachment for high power LED
(HPL 900W and 1.350W)

Product features

- Material Stainless steel 1.4301
- Pickled stainless steel tube
- Fastening for approx. 40 kg LED spotlight
- Mast diameter 76 mm - 89 mm

Mast adapter		
EDP No.	Product-ID-No.	Mast attachment for Ø
130850	HPL.MASTBEF.76MM.V2A.STERNGRIF.01.M	76 mm
130942	HPL.MASTBEF.89MM.V2A.STERNGRIF.01.M	89 mm



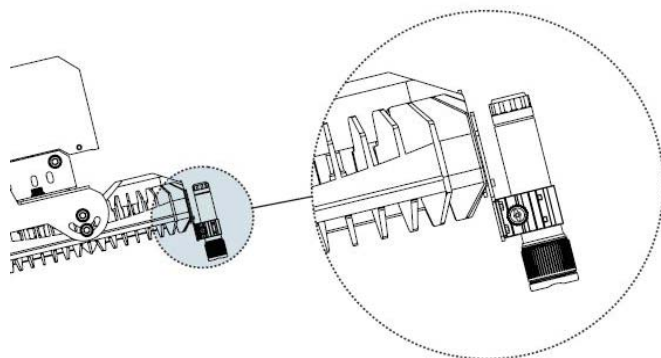
Alignment aid

Laser for the high power LED for exact alignment, including assembly accessories and battery as well as assembly instructions.

Product features

- Laser line for versatile leveling
- Fast and error-free work
- Good visibility of the laser line

Alignment aid	
EDP No.	Product-ID-No.
130988	HPL.LASER.PRÄZISIONS-AUSRICHT-ZIELGERÄT



Application examples - High performance spotlights



High Power LED - Illumination of a night ski slope

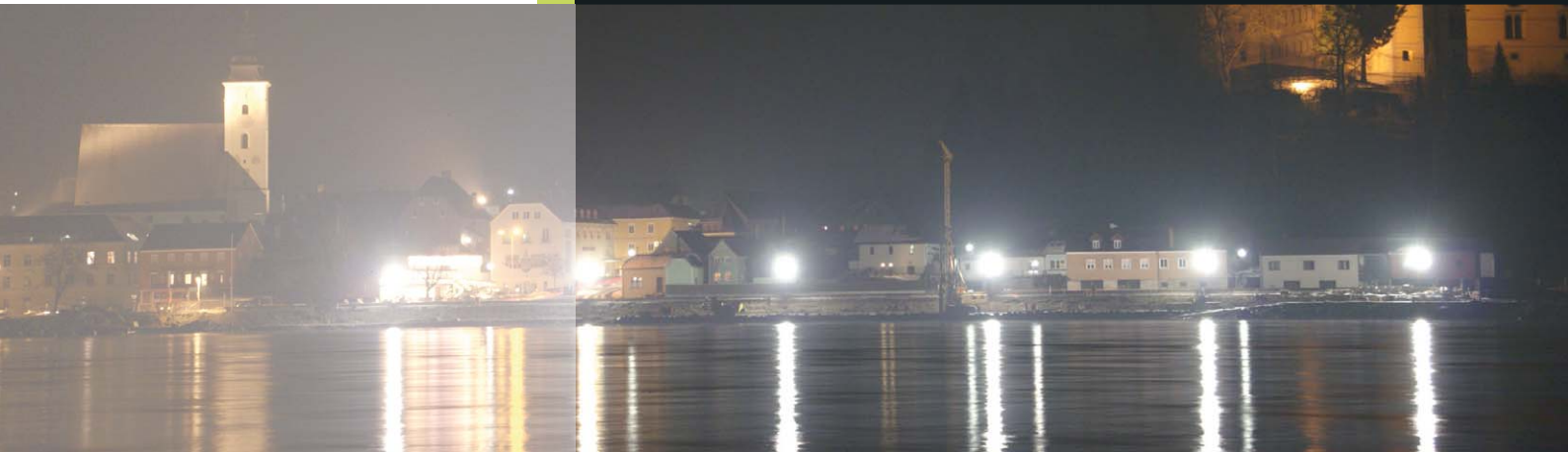


High Power LED - Illumination of factory premises



High Power LED - Soccer field lighting

CONTACT US



GIFAS
ELECTRIC

GIFAS ELECTRIC
Gesellschaft m.b.H
Strass 2
5301 Eugendorf
AUSTRIA

🌐 www.gifas.at
✉ verkauf@gifas.at
☎ +43 6225/7191-0
☎ +49 8654/404-2000

SYSTEMATIC QUALITY

Protection tube lights System lights Rail system

LED lights for indoor and outdoor use



LED Protection tube lights

Page 6 - 7

StreamLED Power



Page 6

Accessories StreamLED 70

Page 7

LED system lights

Page 14 - 15

AmbitLED



Page 14

AmbitLED Power



Page 15

LED rail system

Page 20 - 21

Industry TrackLED



Page 20 - 21

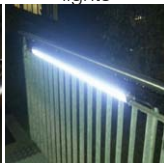
Application examples

LED Protection tube lights



Page 8 - 11

LED system lights



Page 16 - 17

LED Rail system



Page 22 - 23

StreamLED - powerful and energy-efficient protective tube lights - the alternative to fluorescent tubes. The LED tubes emit the light energy bundled in a defined beam angle and this without annoying flickering and flareing. Particularly well suited for machines, wet rooms, pit lighting, tunnels and niches, industry, pedestrian underpasses, and much more.

AmbitLED - compact LED system light. The LED light bar is shock and vibration insensitive, so it is ideal for machine lighting and as additional lighting on vehicles / trains.

ITL - Industry Track LED - modular LED track system. Various radiation characteristics and services available, integration into a DALI system / emergency lighting system is also possible.





LED Protection tube lights

StreamLED Power



Product features



- Through wiring for light chain
- Connection by cable gland M20 (for cable Ø 7-14 mm)
- Indoor and outdoor applications
- Low energy with good light efficiency
- Full luminous flux is immediately available
- Minimum temperature development
- Constant brightness independent of outdoor temperature
- Extremely consistent in switching (> 1 million)
- Maintenance-free
- Shock and vibration resistant
- Indestructible (meets industrial health and safety standards)
- No UV / IR radiation

Technical data

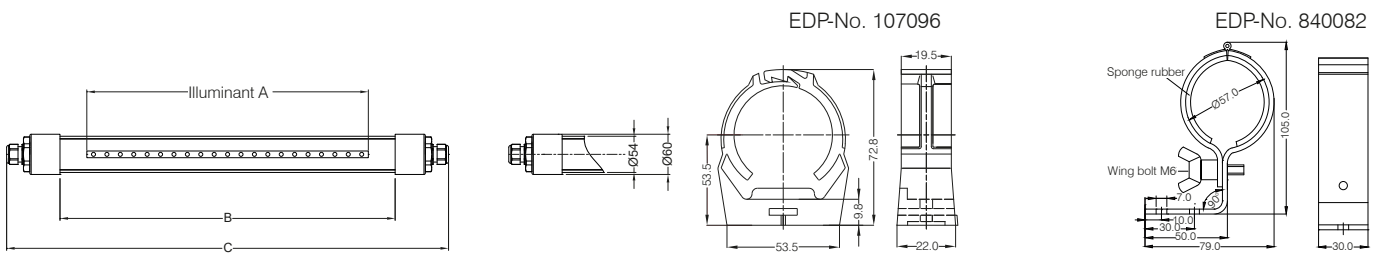
LED Power	6W / 12W / 13,5W / 27W / 36W / 51W
Operating Voltage	230VAC, 9 - 36VDC
LED Efficiency	up to 155lm/W
CRI-Index	Ra>80
L80/B50	>60.000h
Light color	4.000K / 6.500K
Beam Angle	120°
Type of protection	IP68 / IP69K
Degree of protection against mechanical damage with acrylic tube*	IK10
Protection class	I
Temperature range for operation	-30°C to +50°C
Tube	shockproof acryl Ø 54 mm

StreamLED Power						Dimensions (mm)		
LED Power	EDP-No. 230VAC	Product-ID-No.	EDP-No. 9-36VDC	Product-ID-No.	Luminous flux	A	B	C
Light color 4.000K								
6W	840684	GTF.LED.6W.840.230M.660KT	840688	GTF.LED.6W.840.9-36DCM.660KT	934lm	437	500	660
12W	840685	GTF.LED.12W.840.230M.1080KT	840689	GTF.LED.12W.840.9-36DCM.1080KT	1.871lm	875	920	1.080
13,5W	840686	GTF.LED.13,5W.840.230M.660KT	840690	GTF.LED.13,5W.840.9-36DCM.660KT	1.959lm	437	500	660
27W	840687	GTF.LED.27W.840.230M.1080KT	840691	GTF.LED.27W.840.9-36DCM.1080KT	3.723lm	875	920	1.080
36W	140256	GTF.LED.36W.840.230M.1450KT			5.520lm	1.200	1.290	1.450
51W	138732	GTF.LED.51W.840.230M.1895KT			7.087lm	1.625	1.730	1.895
Light color 6.500K								
6W	840660	GTF.LED.6W.865.230M.660KT	840680	GTF.LED.6W.865.9-36DCM.660KT	934lm	437	500	660
12W	840663	GTF.LED.12W.865.230M.1080KT	840678	GTF.LED.12W.865.9-36DCM.1080KT	1.871lm	875	920	1.080
13,5W	840661	GTF.LED.13,5W.865.230M.660KT	840679	GTF.LED.13,5W.865.9-36DCM.660KT	1.959lm	437	500	660
27W	840664	GTF.LED.27W.865.230M.1080KT	840964	GTF.LED.27W.865.9-36DCM.1080KT	3.723lm	875	920	1.080
36W	138111	GTF.LED.36W.865.230M.1450KT			5.520lm	1.200	1.290	1.450
51W	136211	GTF.LED.51W.865.230M.1895KT			7.087lm	1.625	1.730	1.895

Accessories StreamLED Power

Accessories StreamLED Power			
EDP-No.	Product-ID-No.	Description	
107096	GTF.WANDHALTERUNG.KUNSTSTOFF.GRAU	Wall fitting made of plastic, color grey	
840082	SL50.WANDHALTERUNG.A4.TYP1	Wall fitting of Niro A4	

2 pieces per light



Protection tube lights



StreamLED Power - Additional lighting on vehicles / trains



StreamLED Power - Work pit lighting



StreamLED Power - Underground parking garage lighting



StreamLED Power - Lighting of a power channel



StreamLED 70 - Tunnel lighting

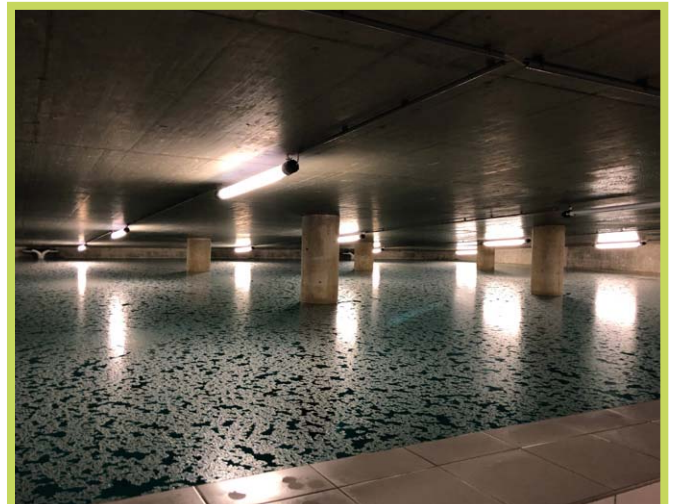
Protection tube lights



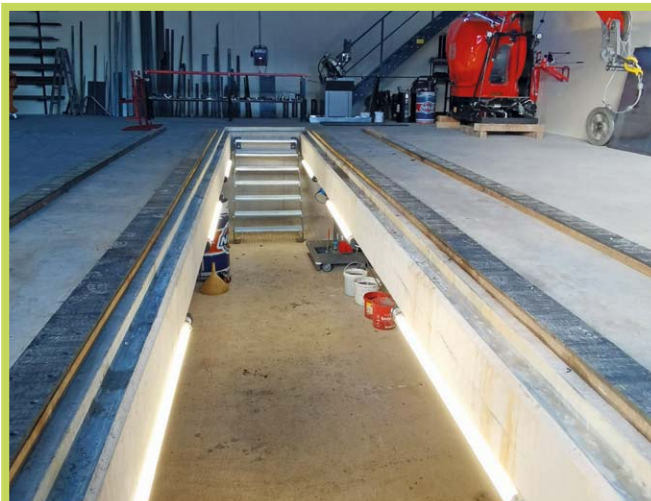
StreamLED Power - Lighting CNC milling machine



StreamLED Power - Tunnel lighting



StreamLED Power - Elevated tank

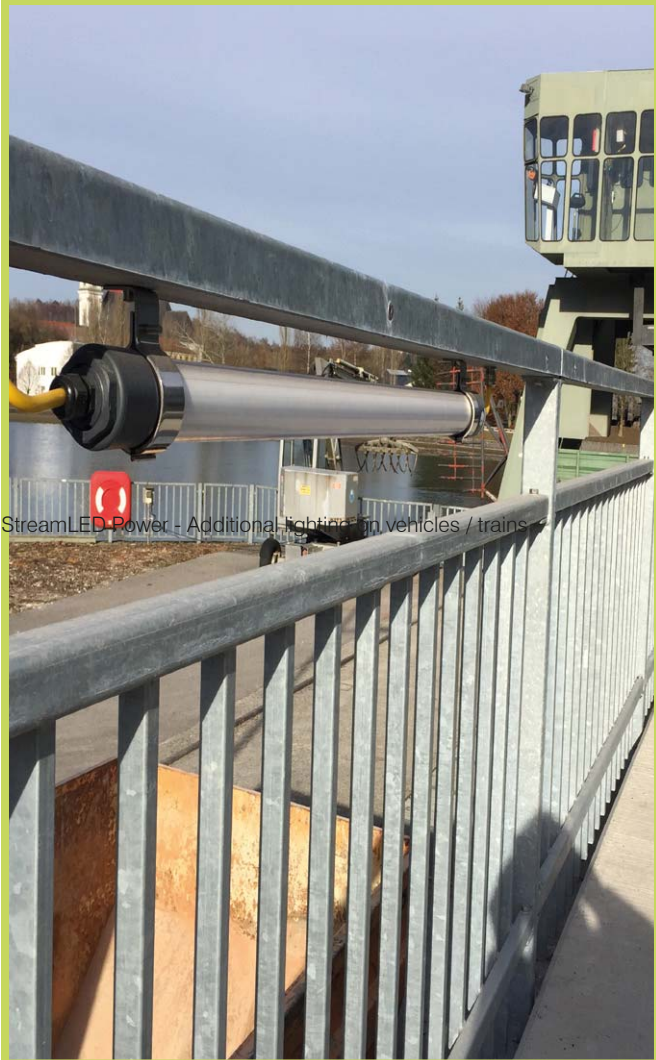


StreamLED Power - Work pit lighting

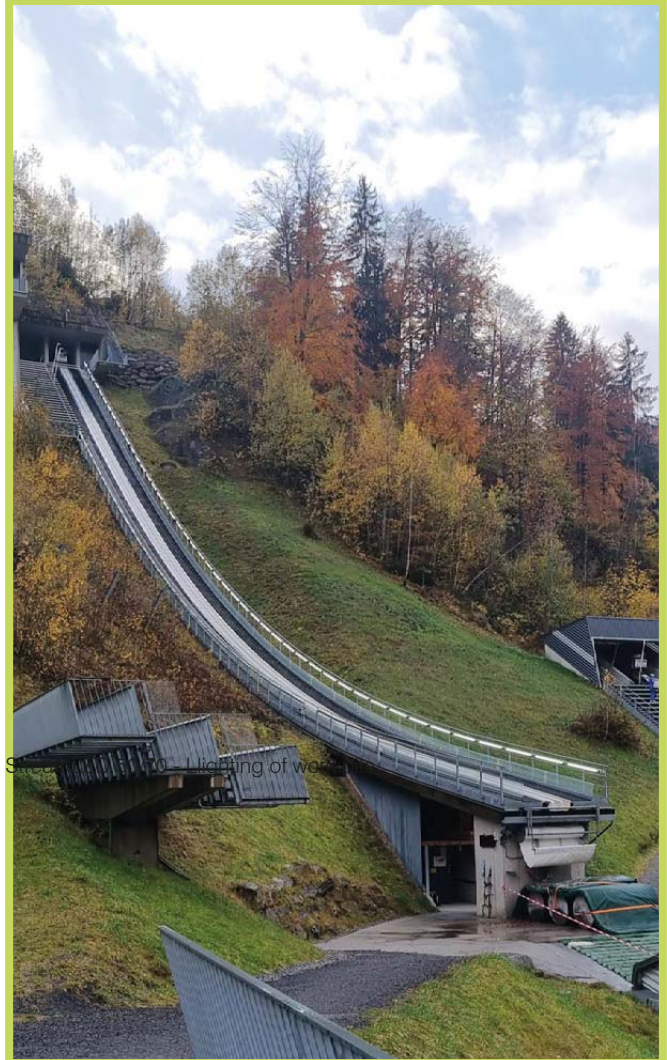


StreamLED Power - Cheese factory, machine lighting

Protection tube lights



StreamLED Power - Handrail lighting



StreamLED Power - Ski jump lighting



StreamLED 70 - Tunnel lighting

Protection tube lights



StreamLED Power - Underground garage lighting




StreamLED Power - Bus stop lighting



StreamLED Power - Recycling center lighting





LED System lights

AmbitLED (22 - 32VDC)



Product features

- Compact LED light strip
- Housing made of extruded aluminium
- Anodized surface
- Fixing bracket in stainless steel, variable mounting bracket
- Type of protection: IP67
- Light source: LED strips
- LED strip in moisture- and dust-tight sealing compound
- Connector: 2-pin, robust metal M16 industrial connectors, IP67
- Conductor cross-section: max. 0.75 mm²/ clamping area: 4-8 mm
- Delivery for through wiring with protective cap
- Loop-connection for light chain

Technical data

Illuminant	LED-strips cool white approx. 6.500K
Operating Voltage	24VDC ¹ (22-32V), verpolungssicher
LED Power consumption	1,5W, 4W or 8W (at 24VDC)
Type of protection	IP67
Protection class	III
Service temperature range	-25°C to +50°C
Plug	2-pin connector with screw locking
Cable	2x0.75 mm ² , halogen-free, UV- and weather resistant, cold resistant to -40 °C

¹TECHNICAL NOTE: In order to guarantee reliable and safe operation of the LED modules, it is absolutely necessary to use a power adapter that is electronically stabilized. This is the only way to protect LED modules from overcharging, overheating and short-circuiting.

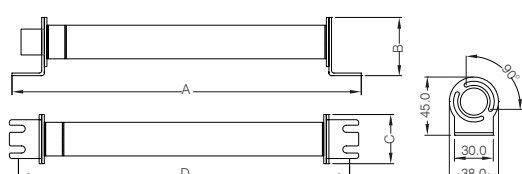
AmbitLED				Dimensions			
EDP-No.	Product-ID-No.	LED Power	Luminous flux	A	B	C	D
840665	AMB.224.CW.24VDC.O.WR45	1,5W	73lm	270 mm	45 mm	38 mm	256 mm
840666	AMB.238.CW.24VDC.O.WR45.KETTE.01	1,5W	73m	284 mm	45 mm	38 mm	270 mm
840667	AMB.534.CW.24VDC.O.WR45	4W	187lm	580 mm	45 mm	38 mm	566 mm
840668	AMB.548.CW.24VDC.O.WR45.KETTE.01	4W	187lm	594 mm	45 mm	38 mm	580 mm
840669	AMB.1034.CW.24VDC.O.WR45	8W	384lm	1080 mm	45 mm	38 mm	1066 mm
840670	AMB.1048.CW.24VDC.O.WR45.KETTE.01	8W	384lm	1094 mm	45 mm	38 mm	1080 mm

Accessories

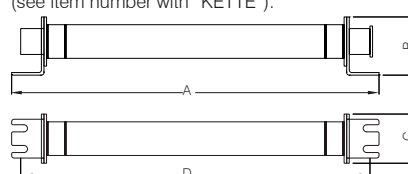
EDP-No.	Product-ID-No.	Description
101480	AMB.STECKERNETZGERÄT.1,5A.24VDC.2PKUPPLUNG.M	Plug-in power supply with mounted coupling
93518	AMB-KUPPLUNGSDOSE.01	Coupling socket 2-pin, type of protection IP67
93729	AMB.KUPPLUNG.5M.HALOGENF.M	Coupling socket premounted inclusive of 5 m connection cable (2x0.75 mm ²)
93732	AMB.KUPPLUNG.10M.HALOGENF.M	Coupling socket premounted inclusive of 10 m connection cable (2x0.75 mm ²)
93624*	AMB-KABELSTECKER.01	Cable plugs 2-pin, type of protection IP67
93733*	AMB.STECKER.5M.HALOGENF.M	Cable plugs premounted inclusive of 5 m connection cable (2x0.75 mm ²)
93734*	AMB.STECKER.10M.HALOGENF.M	Cable plugs premounted inclusive of 10 m connection cable (2x0.75 mm ²)
93735*	AMB.KUPPLUNG.STECKER.5M.HALOGENF.M	5 m extension premounted
93736*	AMB.KUPPLUNG.STECKER.10M.HALOGENF.M	10 m extension premounted
91441	1812.1NG.1,5A.24VDC.1M20.2M12.1BST	Solid rubber boxes BR 1812 with power supply for AmbitLED (22 - 32VDC) 1,5A
91442	1812.1NG.2,5A.24VDC.ZDU.1M20.4M12.3BST	Solid rubber boxes BR 1812 with power supply for AmbitLED (22 - 32VDC) 2,5A
127376	NETZGERÄT.85-264VAC.21,6-29VDC.1,5A.TS35	Power supply for distributor installation 30W
124745	NETZGERÄT.88-264VAC.21,6-29VDC.2,5A	Power supply for distributor installation 60W

* only for chain lights

Individual luminaire with variable mounting bracket



Light chain with variable mounting bracket (see item number with "KETTE").



03/2024/1.0

AmbitLED Power



Product features

- Compact LED light strip
- Housing made of extruded aluminium
- Anodized surface
- Fixing bracket in stainless steel, variable mounting bracket
- Type of protection: IP67
- Light source: LED strips
- LED strip in moisture- and dust-tight sealing compound (mat)
- Connector: 2-pol., robust metal M16 industrial connectors, IP67
- Conductor cross-section: max. 0.75 mm²/ clamping area: 4-8 mm
- Delivery for through wiring with protective cap
- Loop-connection for light chain (max. 7A)

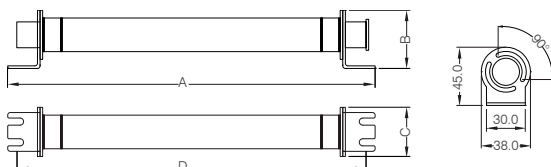
Technical data

Illuminant	LED-strips cool white approx. 6.500K
Operating Voltage	24VDC ¹ +/- 4%
LED Power	2,8W / 6,8W / 13,6W
Type of protection	IP67
Protection class	III
Service temperature range	-25°C to +50°C
Plug	2-pin connector with screw locking
Cable	2x0.75 mm ² , halogen free, UV- and weather resistant, cold resistant to -40°C

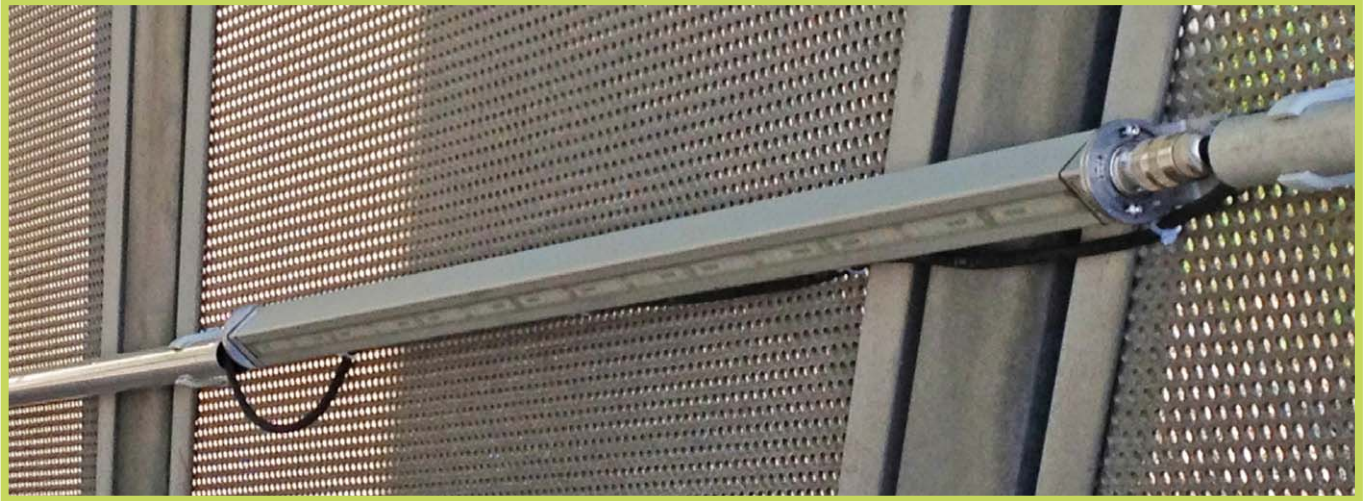
¹TECHNICAL NOTE: In order to guarantee reliable and safe operation of the LED modules, it is absolutely necessary to use a power adapter that is electronically stabilized. This is the only way to protect LED modules from overcharging, overheating and short-circuiting.

AmbitLED Power		Dimensions					
EDP-No.	Product-ID-No.	LED Power	Luminous flux	A	B	C	D
840676	AMB.POWER.238.CW.24VDC.O.WR45.KETTE.OE	2,6W	220lm	284 mm	45 mm	38 mm	270 mm
840671	AMB.POWER.548.CW.24VDC.O.WR45.KETTE.OE	6,8W	619lm	594 mm	45 mm	38 mm	580 mm
840672	AMB.POWER.1048.CW.24VDC.O.WR45.KETTE.OE	13,6W	1.248lm	1094 mm	45 mm	38 mm	1080 mm

Accessories		
EDP-No.	Product-ID-No.	Description
101480	AMB.STECKERNETZGERÄT.1,5A.24VDC.2PKUPPLUNG.M	Plug-in power supply with mounted coupling
93518	AMB-KUPPLUNGSDOSE.01	Coupling socket 2-pin, type of protection IP67
93729	AMB.KUPPLUNG.5M.HALOGENF.M	Coupling socket premounted inclusive of 5 m connection cable (2x0.75 mm ²)
93732	AMB.KUPPLUNG.10M.HALOGENF.M	Coupling socket premounted inclusive of 10 m connection cable (2x0.75 mm ²)
93624	AMB-KABELSTECKER.01	Cable plugs 2-pin, type of protection IP67
93733	AMB.STECKER.5M.HALOGENF.M	Cable plugs premounted inclusive of 5 m connection cable (2x0.75 mm ²)
93734	AMB.STECKER.10M.HALOGENF.M	Cable plugs premounted inclusive of 10 m connection cable (2x0.75 mm ²)
93735	AMB.KUPPLUNG.STECKER.5M.HALOGENF.M	5 m extension premounted
93736	AMB.KUPPLUNG.STECKER.10M.HALOGENF.M	10 m extension premounted
91441	1812.1NG.1,5A.24VDC.1M20.2M12.1BST	Solid rubber boxes BR1812 with power supply for AmbitLED (22-32VDC) 1,5A
91442	1812.1NG.2,5A.24VDC.ZDU.1M20.4M12.3BST	Solid rubber boxes BR1812 with power supply for AmbitLED (22-32VDC) 2,5A
127376	NETZGERÄT.85-264VAC.21,6-29VDC.1,5A.TS35	Power supply for distributor installation 30W
124745	NETZGERÄT.88-264VAC.21,6-29VDC.2,5A	Power supply for distributor installation 60W



System lights



AmbitLED Power - Handrail lighting level crossing



AmbitLED - Additional lighting on the fire engine



AmbitLED Power - Accent lighting in a plant bed



AmbitLED - Lighting the railway tunnel

System lights



AmbitLED - Tower car lighting



AmbitLED - Additional lighting on trains / vehicles



AmbitLED - Step lighting in the ice cave



AmbitLED - Lighting on the work basket



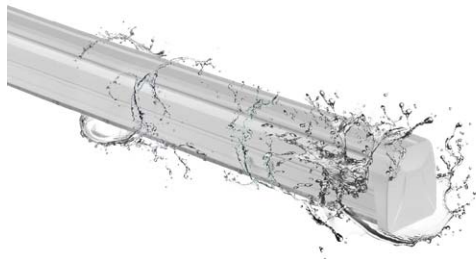
Ausfahrt

Feuertür
Feuertürhöhe 1,95 m

A photograph of a warehouse interior showing a modern LED rail lighting system. The system consists of a network of metal rails mounted on the ceiling, with various colored cables (yellow, blue, grey) running along them. A single LED light fixture is visible, hanging from the system. The floor is covered in grey interlocking hexagonal tiles. In the background, there are several large industrial machines and a blue trash bin. The text "LED rail system" is overlaid in white on the right side of the image.

LED rail system

Industry Track LED General / Features



Modular rail System ITL - Industry Track LED

The new LED rail system from GIFAS ELECTRIC is characterized by its modular construction, simple mounting, enormous light output and a high degree of protection. Thanks to the many possible combinations, optimum illumination is ensured for every application. The cabling integrated in the carrier rail minimizes the installation effort and, in addition to a simple power supply for the LED modules, also allows integration into a DALI system or an emergency lighting system. Due to different emission characteristics and performance, we can ensure optimal lighting for your requirements.



Modulare construction

Through the use of individual components which are simply assembled or plugged together, the rail system can be installed quickly and extensions can be made cost-effectively and simply.



Mounting

To enable easy mounting of the carrier rail, they were designed to snap open. In order to enable flexible mounting, fixings for ceiling mounting, rope or chain suspension are available.



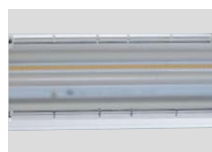
High protection class

The protection class of IP54 guarantees that even harsh environmental conditions, in industry and trade does not harm the lighting system. Even mounting outdoors is no problem.



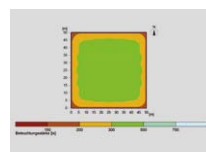
Efficiency

In order to ensure the highest possible light output and maximum energy usage, the ITL is equipped with the latest driver technology and only the latest generation LEDs are used.



Beam Angle

The use of extremely efficient optics and lenses maximizes the efficiency of the luminaire in order to achieve the highest possible system efficiency. Different beam angles ensure optimum illumination and high illumination quality.



Light distribution

In order to achieve optimal illumination, the ITL has various light distributions. From a hall lighting with high uniformity, even from low heights, to the application in high rack bearings, each task position can be solved.



Support rail

The carrier rail, equipped with quick connectors, enables quick and uncomplicated assembly. The integrated wiring supplies the luminaires with energy, integrates the LED modules into a DALI system and can optionally be equipped with additional wiring for an existing emergency lighting system.

Industry Track LED



Range of application

- Industry, trade
- Commerce exteriors
- Car parks and garages
- Storage areas
- Manufacturing
- Corridors & hallways

Technical data

LED Power	39W/ 63W / 77W
Operating Voltage	230VAC
Luminous flux	to 130lm/W
CRI-Index	Ra>80
Luminous angle	90°
Average LED lifetime at 20°C	>50.000h
LED impact strength	>1mio.
Light color	5.000K / cool white
MacAdam	3-step
Temperature range for operation	-40°C to +50°C
Dimmable	yes, DALI
Housing material	aluminium
Housing color	white
Type of protection / Protection class Leuchte	IP54 / I
Degree of protection against mechanical* damage	IK08
Weight module	approx. 3,7 kg
Dimensions L	1.416 mm
Wire size support rail	2,5 mm ²
Prefusing support rail	16A – 3 pole

Industry Track LED		
EDP-No.	Art.-Nr.	Description
Modul without dimming		
125533	ITL.LED.MODUL.IP54.WS.39W.5000K.90°	LED module for rail system 7 poles 39W 5.200lm, without DALI modul
125534	ITL.LED.MODUL.IP54.WS.63W.5000K.90°	LED module for rail system 7 poles 63W 8.450lm, without DALI modul
125535	ITL.LED.MODUL.IP54.WS.77W.5000K.90°	LED module for rail system 7 poles 77W 10.400lm, without DALI modul
Modul with DALI dimming		
125536	ITL.LED.MODUL.IP54.WS.39W.5000K.90°.M.DALI	LED module for rail system 7 poles 39W 5.200lm, with DALI modul
125537	ITL.LED.MODUL.IP54.WS.63W.5000K.90°.M.DALI	LED module for rail system 7 poles 63W 8.450lm, with DALI modul
125538	ITL.LED.MODUL.IP54.WS.77W.5000K.90°.M.DALI	LED module for rail system 7 poles 77W 10.400lm, with DALI modul
Support rail		
125539	ITL.TRÄGERSCHIENE.IP54.7P.WS.ANFANG	Support rail Start 7 pole white
125540	ITL.TRÄGERSCHIENE.IP54.7P.WS.MITTE	Support rail Middle 7 pole white
125541	ITL.TRÄGERSCHIENE.IP54.7P.WS.ENDE	Support rail End 7 pole white
125550	ITL.TRÄGERSCHIENE.IP54.BLINDABDECKUNG	Blindcover for Support rail 7 pole white
Accessories		
125555	ITL.SEIL.3M	Cable 3 m for ceiling suspension
125557	ITL.KETTE.3M	Chain 3 m for ceiling suspension
125558	ITL.CLIP.DECKENMONTAGE	Clip for ceiling mounting
125559	ITL.EINSPEISEKUPPLUNG.7POLIG	Feed coupling 7 pole

Rail system



Industry Track LED - Platform / bus stop lighting



Industry Track LED - Repairshop Light



Industry TrackLED - Warehouse lighting



Industry Track LED - Workshop lighting

Rail system



Industry Track LED - Workshop / workplace lighting



Industry Track LED - Workplace lighting



Industry Track LED - Platform / bus stop lighting

CONTACT US



GIFAS
ELECTRIC

GIFAS ELECTRIC
Gesellschaft m.b.H
Strass 2
5301 Eugendorf
AUSTRIA

🌐 www.gifas.at
✉ verkauf@gifas.at
☎ +43 6225/7191-0
☎ +49 8654/404-2000

Subject to technical changes 03/2024/1.0

SYSTEMATIC QUALITY

Mobile lighting Work lights



Hand-held lights

Page 6 - 9

LED Hand-held
headlights
Master LED 969



Page 7

Accessories
MasterLED 969

Page 7

LED Rod
hand-held lights
Stabiled



Pages 8 - 9

Work lights

Page 12 - 27

FlexLED –
2-sided



Page 12

FlexLED –
Emergency battery magnet
pack



Page 13

LED Light with
magnet I-LED Flex



Page 14

LED Floodlight
AlphaLUX 25-60



Page 15

LED Spotlight
SpotLED 24



Page 16

Accessories
SpotLED 24

Page 17

Tripods / tripods with lighting

Page 32 - 33

Tripods 915.D



Page 32

GIFAS DiscLED



Page 33

Application examples

Work lights



Page 28 - 29

Tripods with
Tighting



Page 34 - 35

At GIFAS you can get practical hand-held lights - from hand-held headlights with solid rubber handles to rod hand-held lights or combinations with cable reels, we would be happy to advise you.

LED spotlights
Prima-LED



Page 18 - 19

LED Industrial
spotlights I-LED



Page 20 - 27

Luminaires with flexible lamp necks, with floor magnets or our combinations with cable reels are available for work/ workplace lighting. Our surface lights Prima, these can also be combined with tripods.



Hand-held lights



Hand-held headlights MasterLED 969



Product features

- Protective insulation, impact-resistant luminaire body made of solid rubber with suspension ring
- Ergonomic handle with combination switch for continuous light and pulse operation
- Splitter-free protective glass
- Combo switch ON / OFF and touch function

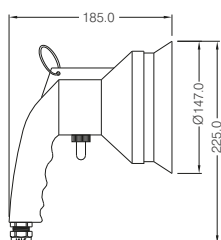
The powerful 969 portable spotlight is now also available with the latest LED technology.

Technical data

Operating Voltage	230/42/24VAC
Power supply	Mains connection
Light source	6x2W LEDs
Luminous flux	1.400lm
Type of protection	IP54
Protection class	II / III
Housing material	solid rubber
Cover	protective glass
Weight	1.200g (without Cable)

LED hand-held headlights Typ 969			
EDP No.	Product-ID-No.	Feeding lines	Volt
108637	969.MASTERLED.6x2W. 5215.GG.241626	5 m 2x1,5 mm ² with solid rubber CEE plug 16A/24V	24VAC
117900	969.MASTERLED.6x2W. 10215.GG.241626	10 m 2x1,5 mm ² with solid rubber CEE plug 16A/24V	24VAC
122647	969.MASTERLED.6x2W. 5215.GG.421626	5 m 2x1,5 mm ² with solid rubber CEE plug 16A/42V	42VAC
120128	969.MASTERLED.6x2W. 10215.GG.421626	10 m 2x 1,5 mm ² with solid rubber CEE plug 16A/42V	42VAC
114385	969.MASTERLED.6x2W. K3.230VAC	3 m connection cable 2x1,0 mm ² with contour plug 16A 230V	230VAC
117812	969.MASTERLED.6x2W. K10.230VAC	10 m connection cable 2x1,0 mm ² with contour plug 16A 230V	230VAC

Delivery status: The light is standard without accessories.



T

**Illuminant and accessories
 to halogen hand-held headlights type 969**

EDP No.	Product-ID-No.	Description	
10595	0816SL	Reflector for wide beaming incl. light holder and spare glass	
47248	994.DICHTUNG	Gasket seal for front glass	
12427	969.GL	Spare glass	
73872	969.GUMMITEIL.1M16.M	Solid rubber headlight housing	
10613	969.SCHALTER.ON/OFF/TASTER.250VAC.15A	Two function switch with protection cap	
110768	969.UMBAUSATZ.LED.01	Conversion kit to LED	

Rod Hand-held lights StabiLED 24V / 42V



Product features

- High light efficiency of 570 lumen with low energy consumption
- 6 high efficiency long-lifetime LEDs
- Bright, homogeneous, dazzle-free white light for the workplace
- Handgrip and cap made of insulating material: impact- and shock resistant
- Resistant to oil and acids
- Self-extinguishing
- Transparent shock-proof polycarbonate tube
- Rotatable hook for hanging
- Built-in electronics with protection module
- Temperatur range of application: -20°C to $+50^{\circ}\text{C}$
- Voltages: 24VAC/DC $\pm 10\%$ / 42VAC/DC $\pm 10\%$
- Type of protection light: IP65
- Type of protection plug: IP44
- Protection class: III
- Weight (without connection cable): 300 g

StabiLED 24V/42V			
EDP No.	Product ID No.	Feeding lines	Volt
80981	9.STABILED.36.24VAC/ DC.M16.5215.GG	5 m connection cable 2x1.5 mm ² with solid rubber CEE-plug 2x16A 24V	24V
80982	9.STABILED.36.24VAC/ DC.M16.10215.GG	10 m connection cable 2x1.5 mm ² with solid rubber CEE-plug 2x16A 24V	24V
80979	9.STABILED.36.42VAC/ DC.M16.5215.GG	5 m connection cable 2x1.5 mm ² with CEE-plug 2x16A 42V	42V
80980	9.STABILED.36.42VAC/ DC.M16.10215.GG	10 m connection cable 2x1.5 mm ² with CEE-plug 2x16A 42V	42V

Rod Hand-held lights StabiLED 230V

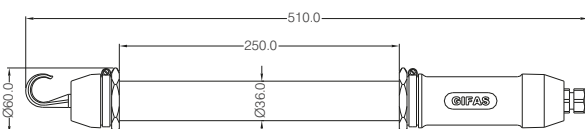


Product features






- High light efficiency 570lm with low energy consumption
- 6 high efficiency long-lifetime LEDs
- Bright, homogeneous, dazzle-free white light for the workplace
- Handgrip and cap made of insulating material: impact- and shock-resistant
- Resistant to oil and acids
- Self-extinguishing
- Transparent shock-proof polycarbonate tube
- Rotatable hook for hanging
- Built-in electronics with protection module
- Temperatur range of application: -20°C bis $+50^{\circ}\text{C}$
- Voltages: 230VAC $\pm 5\%$
- Type of protection light: IP65
- Type of protection plug: IP44
- Protection class: II
- Weight (without connection cable): 300 g

StabiLED 230V			
EDP No.	Product ID No.	Feeding lines	Volt
80977	9.STABILED.36.230V. M16.K5.4210.GG	5 m connection cable 2x1.0 mm ² with contour plug 16A 230V	230V
80978	9.STABILED.36.230V. M16.K10.4210.GG	10 m connection cable 2x1.0 mm ² with contour plug 16A 230V	230V

For safety and isolating transformers, see chapter 5.



Bracket and fixing magnets für Rod Hand-held lights

EDP No.	Product ID No.	Description	
83541	909.FEDERKLAMMER.DM36	GIFAS holding magnet with tube clamp (Ø 36 mm). The ideal addition to the StabiLED and StabiLED battery lights.	
12253	909	GIFAS magnet with spring clamp (Ø 37 mm).	
12176	900.M	GIFAS magnet (Ø 80 mm). tensile force 500 N	
82329	ROHRSCHELLE.DM.39-48MM	Tube clamp zinc-plated (Ø 39-48 mm). Type F36	
83981	ROHRKLAMMER.KU.GRAU.DM36.GIFAS	GIFAS Tube clamp (Ø 36 mm) for StabiLED.	





Work lights

FlexLED – 2-sided LED light strip on cable reel or spool



Product features

Our FlexLED double-sided LED light strip not only enables you to save energy when using temporary lighting installations but also an enormous amount of time as a result of the easy set-up and disassembly.

This LED light strip is covered by a durable PVC tube and guarantees absolute flexibility and an extremely high light output without casting shadows. The protection category of IP65 means that it can be used indoors and outdoors.

The LED stripe is supplied ready for connection with 25 meters or 10 meters on a cable reel. The mains connection is made using the supplied connection cable. The FlexLED light stripe can be connected quickly and easily and thus be extended to a maximum length of 100 m.

Split energy supply for both sides of the light strip significantly enhances the reliability in case of a failure.

Technical Data

LED Power	LED strip double-sided (2x180 LEDs/m)
System performance	13W/m
Luminous flux	1.500lm/m
Light colour	4.000K
Beam Angle	240° (120° per side)
Operating life	> 30.000h
Impact resistance	IK10
Temperature range for operation	-25°C to +55°C
Type of protection	IP65
Weight of the reel with 10 m	approx. 2 kg
Weight of the cable reel with 25 m	approx. 6 kg
Dimensions light strip (LxW)	16 mm x 8 mm
Length	10 m / 25 m (extendable to max. 100 m)
Connection cables	1,5 m (2 x 1,5 mm ² rubber cable with IP44 contour plug)

FlexLED – 2-sided LED light strip on cable reel or spool

EDP No.	Product ID No.	Description
841060	FLEXLED.KABELROLLE.25M.230V.325WATT.4000K.SET.M.ZUL.1,5M	Light strip 25 m on cable reel, 13W/1500lm per meter, IP65, IK10, 360 LEDs/m with 1.5 m connection set
841073	FLEXLED.HASPEL.10M.230V.130WATT.4000K.SET.M.ZUL.1,5M	Light strip 10 m on reel, 13W/1500lm per meter, IP65, IK10, 360 LEDs/m with 1.5 m connection set

Zubehör / Ersatzteile

EDP No.	Product ID No.	Description
841075	FLEXLED.ANSCHLUSSLEITUNG.1,5M.KONT.STECKER/KUPPLUNG	Connection cable 1.5 m 2x1.5 mm ² with contour plug and special coupling

Strictly observe the operating instructions included with the products!



FlexLED – Emergency battery pack (optional)



Product features

The FlexLED can continue to be operated with reduced brightness for up to a maximum of 2 hours with the emergency battery pack in the event of a power failure.

The battery charge level can be displayed by actuating the light.

It has an internally built-in battery charge protection with protection against overcharging and overdischarging.

The emergency battery pack is supplied with an plug and connector..

Technical Data

Power	50W
Emergency operation rechargeable battery	120min
Battery level	Display via indicator light
Connected power	max. 1.500W
Input voltage	100-277VAC
Battery	6.000mAh Li-Ion Akku
Charging time	> 24h
Impact resistance	IK08
Emergency trigger time	< 1s
Temperature range for operation	-10°C to +45°C
Type of protection	IP65
Weight	2,7 kg
Connection cables	1,5m (3x1,5 mm² rubber cable with IP44 schuko connectors)

Brightness in emergency mode 2-sided LED light strip:

10m:	30%	450lm/m
25m:	20%	300lm/m
50m:	10%	150lm/m

Battery status query

With the emergency function switched on, briefly press the illuminated pushbutton to indicate the power supply.

Number of red light flashes (flashing):

- 1x = 0% – 20% remaining power
- 2x = 20% – 40% remaining power
- 3x = 40% – 60% remaining power
- 4x = 60% – 80% remaining power
- 5x = >80% remaining power

FlexLED – Emergency battery pack (optional)		
EDP No.	Product ID No.	Description
841074	FLEXLED.NOTSTROMAKKU.50W.LIIO.22,2V.6000mAh	Emergency power battery 50 watts, 100-277VAC, 50-180VDC with 1.5 m 3x1.5 mm² connection cable with safety plug and special coupling

Strictly observe the operating instructions included with the products!

LED magnetic stick light - I-LED 5.15 FLEX



Product features

Small portable LED-flood light with symmetric luminous characteristics. The I-LED 5 has a slim construction, is powder coated black and has 5 m feeding line 2x1 mm².

- Full luminous flux is available immediately
- Lower power consumption with good luminous efficiency
- Minimal temperature development
- Extremely resistant to switching (> 1 million)
- Maintenance-free
- No UV/IR-radiation
- Not sensitive to impact and vibrations

Range of application

Appropriate for all kinds of usage which need an extensive professional illumination.

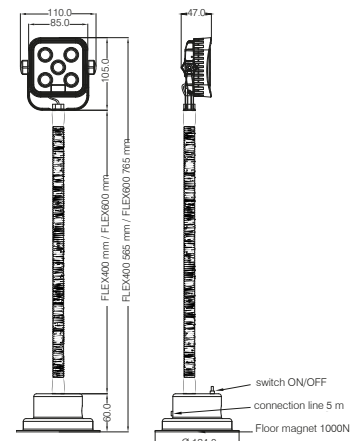
- Industry
- Vehicles
- Mechanical engineering

Technical data

LED Power	5x3W
Electrical power	24VDC 0,42A
Operating Voltage	11-36VDC / 22-26VAC
Luminous flux	900lm
CRI-Index	Ra>80
Luminous angle	Flood
Average LED lifetime at 20°C	>50.000h
Loss of luminous flux	<10%
LED resistance to switching	> 1Mio.
Color temperature	6.500K / cool white
Temperature range for operation	-30°C to +50°C
Housing material	aluminium
Housing color	black
Cover	plastic glas
Type of potection / protection class:	IP65 / III
Weight FLEX400	1,8 kg
Dimensions FLEX400 H x Ø	565 x 124 mm
Weight FLEX600	1,9 kg
Dimensions FLEX600 H x Ø	765 x 124 mm
Material Flexrohr	steel, black coated
Connection cables	5 m
Floor magnet	1.000N

I-LED 5.15 FLEX

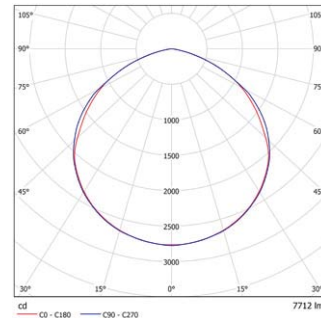
EDP No.	Product ID No.	Flex hose / Tube	Watt
Execution with 5 m H05RN-F 2x1 mm² without plug			
115838	ILED5.15.FLEX400.FLOOD.CW.11-36VDC.5M.OS.M	400 mm	5x3W
115841	ILED5.15.FLEX600.FLOOD.CW.11-36VDC.5M.OS.M	600 mm	5x3W
Execution with 5 m H05RN-F 2x1 mm² and Power adapter			
115839	ILED5.15.FLEX400.FLOOD.CW.11-36VDC.5M.STNG.M	400 mm	5x3W
115842	ILED5.15.FLEX600.FLOOD.CW.11-36VDC.5M.STNG.M	600 mm	5x3W
Execution with 5 m H05RN-F 2x1 mm² and CEE-plug 24V			
115840	ILED5.15.FLEX400.FLOOD.CW.11-36VDC.5M.241626.M	400 mm	5x3W
115843	ILED5.15.FLEX600.FLOOD.CW.11-36VDC.5M.241626.M	600 mm	5x3W



**LED Floodlight AlphaLUXX 25-60
on floor frame**



Light intensity distribution AlphaLUXX 60



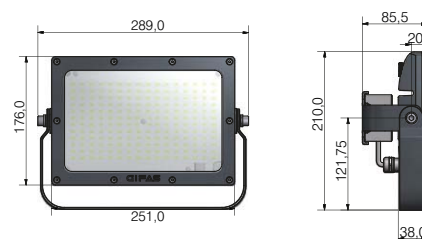
Product features

- Enormous efficiency of up to 142 lumens per watt
- Robust housing made of corrosion-resistant die-cast aluminium (alloy: 230D)
- Dirt-resistant PTFE surface coating, approved for the food industry
- PC-panel 3 mm
- Custom-made U-profile seal surrounding all sides
- Custom-made, durable, heat-conducting film for lasting, reliable dissipation of heat from the LED board
- Low heat generation thanks to the latest LED technology
- Pressure compensation element for extreme temperature fluctuations
- Full luminous flux is available instantly after switching on
- Low energy consumption with high light output
- Maintenance-free
- Wide operating temperature range (up to 60°C)
- No UV/IR radiation
- Vibration-resistant
- Many accessories available from stock

Technical data

Operating Voltage	100-240VAC (50/60Hz)
Light source	SMD-LEDs
Model	25W / 40W / 60W
System performance	25W / 40W / 60W
Luminous flux	3.550lm / 5.500lm / 7.700lm
System Efficiency	142lm/W / 138lm/W / 130lm/W
Light color	5.000K (4.000K on request)
Beam Angle	120°
CRI (Color rendering index)	Ra >80
L70/B10	> 80.000h
Type of protection	IP65
Protection class	I
Shock resistance	IK10 (PC-cover)
Dimming	optional 1~10V (DALI with additional module)
Temperatur range of application	25W -30°C to +60°C 40W -30°C to +55°C 60W -30°C to +50°C
Max. surface temperature	+90°C (suitable for use in industrial premises with fire hazards), D rating label
Housing material	Die-cast aluminium, alloy 230D
Housing surface	PTFE-coated (approved for the food industry)
Housing color	black (other colors also available with powder coating)
Cover	3 mm PC clear, optional 3 mm PC satined
Weight	approx. 2,7 kg
Dimensions (LxWxH)	289 x 176 x 85,5 mm
Certification	ENEC, CE, IK10 (suitable for food industry)

Floodlight with Floor frame		
EDP No.	Product ID No.	Description
125460	ALPHALUXX.25W.230VAC. PC.KLAR.S5.GG.GESTELL	Floodlight 100-240VAC, 25W incl. 5 m cable, Floor frame black
125461	ALPHALUXX.40W.230VAC. PC.KLAR.S5.GG.GESTELL	Floodlight 100-240VAC, 40W incl. 5 m cable, Floor frame black
125462	ALPHALUXX.60W.230VAC. PC.KLAR.S5.GG.GESTELL	Floodlight 100-240VAC, 60W incl. 5 m cable, Floor frame black
Accessories		
123867	ALPHALUXX-TEETUBE. KABELVERBINDER. 3P.16A.400V.IP688	Cable connector THB. 391. A3A, PA66GF, Screw terminals 0.5-2.5 mm², for cables 7-12 mm Terminal assignment 3-pole 2/3/4



LED Spotlight SpotLED 24 VDC



Product features

- Small floodlight in modern design
- Housing color: white or black
- Made of die-cast aluminium
- Bracket in powder coated stainless steel
- Type of protection: IP66
- Protection class: III
- Light source: 5 high-intensity LEDs
- Beam Angle: 8°, 26°, 45° or 2x45°/3x8° (optic on LED)
- Connection 10 - 30VDC directly
- Connection 230VAC via power adapter
- Dimmable

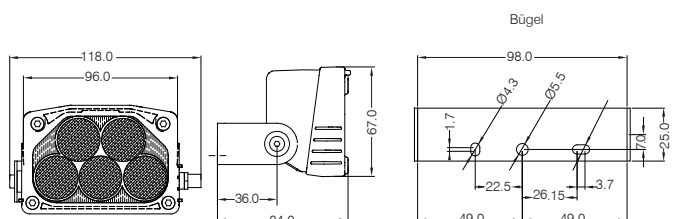
Technical data

Illuminant	5 Power LED à 3W cool white 6.000K
Operating Voltage	12VDC, 24VDC (range 10-30VDC) or via power supply 230VAC / 24VDC
Power consumption	0.5A 24VDC 1.0A 12VDC
Temperatur range of application	-30°C bis +45°C
Max. surface temperature	+50°C
Weight	0.35 kg
Dimensions (W x H x D)	118 x 84 x 67 mm

LED Spotlight SpotLED 24VDC

EDP No.	Product ID No.	Housing	Optics
91429	SPOTLED.WS.LED8°.WEISS.10-30VDC.M	white	8°
91430	SPOTLED.SW.LED8°.WEISS.10-30VDC.M	black	8°
91919	SPOTLED.WS.LED26°.WEISS.10-30VDC.M	white	26°
91583	SPOTLED.SW.LED26°.WEISS.10-30VDC.M	black	26°
91426	SPOTLED.WS.LED45°.WEISS.10-30VDC.M	white	45°
91427	SPOTLED.SW.LED45°.WEISS.10-30VDC.M	black	45°
91921	SPOTLED.WS.LED2x45°/3x8°.WEISS.10-30VDC.M	white	2x45°/3x8°
91741	SPOTLED.SW.LED2x45°/3x8°.WEISS.10-30VDC.M	black	2x45°/3x8°

Model Light color: warm white, green, blue, red on request!



LED Spotlight SpotLED 24 VAC

Product features

- Small floodlight in modern design
- Housing color: white or black
- Made of die-cast aluminium.
- Bracket in powder coated stainless steel
- Type of protection: IP66
- Protection class: III
- Light source: 5 high-intensity LEDs
- Beam Angle 10° or 38° (Optiken on LED)
- Connection 24VAC directly
- Connection 230VAC via power adapter
- Not dimmabler

Technical data

Illuminant	5 Power LED à 3W cool white 6.000K
Operating Voltage	24VAC (range 22-26VAC)
Power consumption	0.5A 24VAC
Temperatur range of application	-30°C bis +45°C
Max. surface temperature	+50°C
Weight	0.35 kg
Dimensions (W x H x D)	118 x 84 x 67 mm

LED Spotlight SpotLED 24VAC

EDP No.	Product ID No.	Housing	Optics
Assortment on request!			



Accessories LED Spotlight SpotLED 24

EDP No.	Product ID No.	Description	
91417	SPOTLED.WINKELKUPPLUNG.3P.IP67	3 pin angle coupling. 90° for custom-sided cable	
91446	SPOTLED.SYSTEMKABEL.GRAU.3X0,25	LiYY 3x0.25 mm² meter goods	
91450	SPOTLED.SYSTEMKABEL.3M.SW.PUR.KUPPLUNG	Coupling incl. PUR-cable 3 m black, moulded	
91451	SPOTLED.SYSTEMKABEL.5M.SW.PUR.KUPPLUNG	Coupling incl. PUR-cable 5 m black, moulded	
92077	SPOTLED.SYSTEMKABEL.10M.SW.PUR.KUPPLUNG	Coupling incl. PUR-cable 10 m black, moulded	
91415	SPOTLED.STECKERNETZTEIL.1,8M.WINKELKU.M	Power adapter incl. cable + 90° angle coupling	
91807	SPK.1,0.43025.0,2/0,2.PUR.SW	Spiral cable, length 1 m to 4m extendable	
91633	SPOTLED.SYSTEMKABEL.5M.PUR.ZIG.M	Plug for cigarette lighter incl. cable (5 m) + 90° angle coupling	
92023	SPOTLED.ZIG.SPK.1,0.43025.PUR.SW.KU.M	Plug for cigarette lighter with SPK cable and angle coupling	
127376	NETZGERÄT.85-264VAC.21,6-29VDC.1,5A.TS35	Power supply for distributor installation 30W, max. 2 SpotLED	
124745	NETZGERÄT.88-264VAC.21,6-29VDC.2,5A.TS35	Power supply for distributor installation 60W, max. 4 SpotLED	
91441	1812.1NG.1,5A.24VDC.1M20.2M12.1BST	Rubber box model 1812 incl. installed power adapter max. 2 SpotLED	
91442	1812.1NG.2,5A.24VDC.ZDU.1M20.4M12.3BST	Rubber box model 1812 incl. installed power adapter max. 4 SpotLED	
91587	SPOTLED.MAGNET.SW.85N.	Rubber covered magnet for SpotLED (Ø 43 mm)	
91621	SPOTLED.MAGNET.SW.85N.M	1x Rubber covered magnet for SpotLED mounted (Note: 2 needed for SpotLED)	
91753	SPOTLED.POTENTIOMETER.500K.DREHKN.SK.M	Potentiometer with twist button	
92696	SPOTLED.STERNGRIFFSCHRAUBE.M5X10	Star handle plastic, M5x10 mm	
90402	FLASHLED.FARBFILTER.ROT/GELB/GRÜN	Color Filter Set with 3 pcs color paper filter (green, red, yellow)	
92932	SPOTLED-SCHUTZGLAS.PC.TRANSPARENT	PC transparent safety glass	
100419	SPOTLED.SCHUTZGITTER.BAUSATZ	Protective grill with screws	

LED Floodlight PrimaLED



The proven concept of the Prima is now available with innovative LED technology. With this lighting system you benefit from all the LED technology advantages!

The PrimaLED is a technically sophisticated, professional light with excellent light output and low energy consumption.

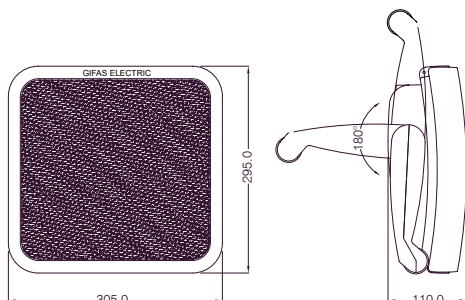
This worklight guarantees optimised floodlighting with glare-free and evenly distributed light. It also offers various setup options for any application: hanging, lying or standing!

Product features

- Full luminous flux available immediately
- Low energy consumption with a high light yield
- Minimal temperature development
- Extremely switching-resistant (> 1 million)
- Maintenance-free
- No UV / IR radiation
- Yellow housing made from impact-resistant polycarbonate with black rubber edges, providing shock and impact protection
- Carrying handle also serves as a support, which when engaged, moves the lights to the desired position
- Saturated bulb cover made from Makrolon: shock and impact resistant, seals the housing to make it water- and dust-proof

Technical data

Operating Voltage	24/42V, 230V AC
Power supply	Mains connection
Illuminant	84x0,3W SMD-LED's
Operating performance	26W
Color temperature	5.700K
Light efficiency	4.200lm
Type of protection	IP65 (without socket) IP44 (with socket)
Protection class	I,II (230V) III (24/42V)
Temperature range for operation	-20°C to +40°C
Dimensions (W x H x D)	305 x 295 x 110 mm
Weight	3,1 kg



LED Floodlight - PrimaLED

PrimaLED 25,2W / 24V or 42V					
not engraved					
EDP No.	EDP No. F&B	Product ID No.	Feeding lines	LED	Volt
115617		PRIMALED.25,2W.CW.24V.5M.GG.241626.HP	5 m connection cable 2x1.5 mm ² with CEE plug 2x16A	25.2W	24V
115618		PRIMALED.25,2W.CW.24V.10M.GG.241626.HP	10 m connection cable 2x1.5 mm ² with CEE plug 2x16A	25.2W	24V
115622		PRIMALED.25,2W.CW.42V.5M.GG.421626.HP	5 m connection cable 2x1.5 mm ² with CEE plug 2x16A	25.2W	42V
115623		PRIMALED.25,2W.CW.42V.10M.GG.421626.HP	10 m connection cable 2x1.5 mm ² with CEE plug 2x16A	25.2W	42V
engraved					
EDP No.	EDP No. F&B	Product ID No.	Feeding lines	LED	Volt
115619		PRIMALED.25,2W.CW.24V.5M.GG.241626.HPG	5 m connection cable 2x1.5 mm ² with CEE plug 2x16A	25.2W	24V
115620		PRIMALED.25,2W.CW.24V.10M.GG.241626.HPG	10 m connection cable 2x1.5 mm ² with CEE plug 2x16A	25.2W	24V
115624		PRIMALED.25,2W.CW.42V.5M.GG.421626.HPG	5 m connection cable 2x1.5 mm ² with CEE plug 2x16A	25.2W	42V
115625		PRIMALED.25,2W.CW.42V.10M.GG.421626.HPG	10 m connection cable 2x1.5 mm ² with CEE plug 2x16A	25.2W	42V

PrimaLED 25,2W / 230V					
EDP No.	EDP No. F&B	Product ID No.	Feeding lines	LED	Volt
Version with contour plug 16A / not engraved					
115605		PRIMALED.25,2W.CW.230V.K5.GG	5 m connection cable 2x1,0 mm ²	25.2W	230V
115606		PRIMALED.25,2W.CW.230V.K10.GG	10 m connection cable 2x1,0 mm ²	25.2W	230V
Version with schuko plug 16A / Schuko socket / not engraved					
115611	124884	PRIMALED.25,2W.CW.230V.309.S5.GG	5 m connection cable 3x1,5 mm ²	25.2W	230V
115612	124885	PRIMALED.25,2W.CW.230V.309.S10.GG	10 m connection cable 3x1,5 mm ²	25.2W	230V
Version with contour plug 16A / engraved					
115607		PRIMALED.25,2W.CW.230V.K5.GG.G	5 m connection cable 2x1,0 mm ²	25.2W	230V
115609		PRIMALED.25,2W.CW.230V.K10.GG.G	10 m connection cable 2x1,0 mm ²	25.2W	230V
Version with schuko plug 16A / Schuko socket / engraved					
115613	124886	PRIMALED.25,2W.CW.230V.309.S5.GG.G	5 m connection cable 3x1,5 mm ²	25.2W	230V
115614	124889	PRIMALED.25,2W.CW.230V.309.S10.GG.G	10 m connection cable 3x1,5 mm ²	25.2W	230V

Accessories - Bracket for PrimaLED			
EDP No.	Product ID No.	Description	
49275	910.WANDHALTERUNG.VA	Wall fitting	
50630	910.WANDHALTERUNG.VA.2x900.M	Wall fitting with 2 mounted magnetic clamps	
49276	910.STATIVHALTERUNG.VA	Tripod fixing	
51050	910.STATIVHALTERUNG.VA.NORMH.	Tripod fixing with standard tube	
49277	910.STATIVHALTERUNG.2FACH.VA	Double tripod fixing	
55618	910.STATIVH.2FACH.VA.NORMH.	Double tripod fixing with standard tube	

I-LED 5.17



Product features

Small LED-flood light with symmetric luminous characteristics. The I-LED 5 has a slim construction, is powder-coated in black and has 5 m feeding-line 3x0,75 mm².

- Full luminous flux is available immediately
- Lower power consumption with good luminous efficiency
- Minimal temperature development
- Extremely resistant to switching (> 1 million)
- Maintenance-free
- No UV/IR-radiation
- Not sensitive to impact and vibrations

Range of application

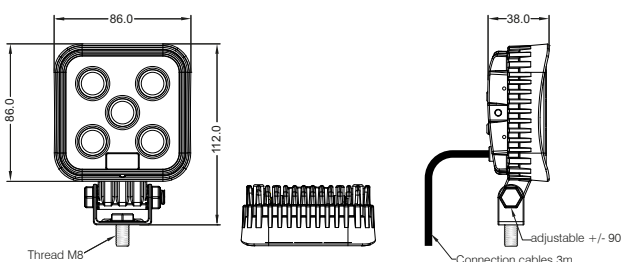
Appropriate for all kinds of usage which need an extensive professional illumination.

- Industry
- Construction machines
- Vehicles
- Mechanical engineering ...

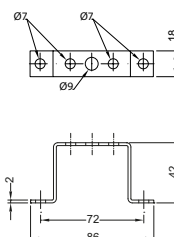
Technical data

LED Power	12W / 17W
Electrical power	24VDC 13W / 19W
Operating Voltage	12-45VDC / 12-30VAC
Luminous flux	1.400lm / 2.000lm
CRI-Index	Ra > 80
Luminous angle	Flood (60°) / Spot (30°)
Average LED lifetime at 20°C	> 50.000h
Loss of luminous flux	< 10%
LED resistance to switching	> 1mio.
Color temperature	6.500K / cool white
Temperature range for operation	-30°C to +50°C
Housing material	aluminium
Housing color	black
Cover	plastic glas
Type of protection	IP68 / 69K
Protection class	III
Weight	0.6 kg
Dimensions L x W x H	112 x 86 x 38 mm

EDP No.	Product ID No.	Description
840888	ILED5.17.SPOT.CW.12-45VDC.12-30VAC.5M.OS.M	Work light IP68/69K, 12-45VDC, 12-30VAC, 5LED 12/17W, SPOT, CW 6.500K, 1.400lm/2.000lm, with connection line 5m H05RN-F 3x0,75 mm ² without plug
840889	ILED5.17.FLOOD.CW.12-45VDC.12-30VAC.5M.OS.M	Work light IP68/69K, 12-45VDC, 12-30VAC, 5LED 12/17W, FLOOD, CW 6.500K, 1.400lm/2.000lm, with connection line 5m, H05RN-F 3x0,75 mm ² without plug
110534	ILED5.WANDMONTAGEWINKEL.V2A	Wall mounting bracket V2A for ILED 5



Wall mounting bracket



I-LED 5.28



Product features

Small LED-flood light with symmetric luminous characteristics. The I-LED 5 has a slim construction, is powder-coated in black and has 3 m / 5 m feeding-lines 2x1 mm² / 3x1 mm².

- Full luminous flux is available immediately
- Lower power consumption with good luminous efficiency
- Minimal temperature development
- Extremely resistant to switching (>1 million)
- Maintenance-free
- No UV/IR-radiation
- Not sensitive to impact and vibrations

Range of application

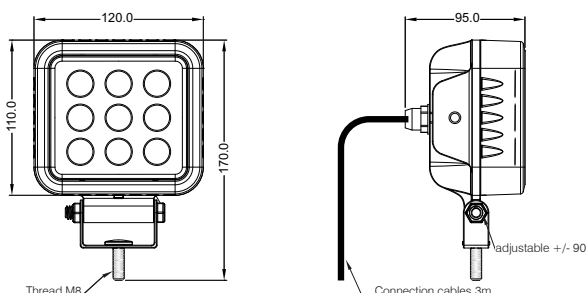
Appropriate for all kinds of usage which need an extensive professional illumination.

- Industry
- Construction machines
- Vehicles
- Mechanical engineering ...

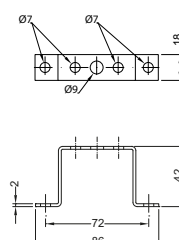
Technical data

LED Power	9x3W
Electrical power	24VDC 1,0A / 230VAC 0,11A
Operating Voltage	11-36VDC / 85-265VAC
Luminous flux	3.000lm
CRI-Index	Ra>80
Luminous angle	Flood (60°) / Spot (30°)
Average LED lifetime at 20°C	>50.000h
Loss of luminous flux	<10%
LED resistance to switching	>1mio.
Color temperature	6.500K / cool white
Temperature range for operation	-30°C to +50°C
Housing material	aluminium
Housing color	black
Cover	plastic glas
Type of protection	IP67 / IP69
Protection class	III, I
Weight	1.04 kg / 1.34 kg
Dimensions L x W x H	170 x 120 x 95 mm

EDP No.	Product ID No.	Description
841080	ILED5.28.SPOT.85-265VAC	Work light 85-265VAC, 9x3W, CW 6.500K, 3.000lm, with connection line 5 m H05RN-F 3x1 mm ² with Schuko plug, Beam angle 30°
841081	ILED5.28.FLOOD.85-265VAC	Work light 85-265VAC, 9x3W, CW 6.500K, 3.000lm, with connection line 5 m H05RN-F 3x1 mm ² with Schuko plug, Beam angle 60°
841082	ILED5.28.SPOT.CW.11-36VDC	Work light IP69,11-36VDC, 9x3W, CW 6.500K, 3.000lm, with connection line 3 m H05RN-F 2x1 mm ² without plug, Beam angle 30°
841083	ILED5.28.FLOOD.CW.11-36VDC	Work light IP69,11-36VDC, 9x3W, CW 6.500K, 3.000lm, with connection line 3 m H05RN-F 2x1 mm ² without plug, Beam angle 60°
110534	ILED5.WANDMONTAGEWINKEL.V2A	Wall mounting bracket V2A for ILED 5



Wall mounting bracket



I-LED 6.20



Product features

Small LED-flood light with symmetric luminous characteristics. The I-LED 6 has a slim construction, is powder-coated in black and has 3 m feeding-line 2x1 mm².

- Full luminous flux is available immediately
- Lower power consumption with good luminous efficiency
- Minimal temperature development
- Extremely resistant to switching (>1 million)
- Maintenance-free
- No UV/IR-radiation
- Not sensitive to impact and vibrations

Range of application

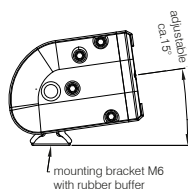
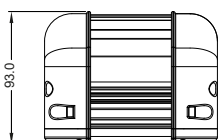
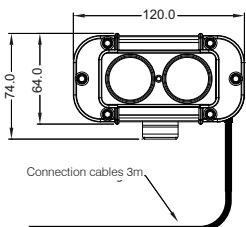
Appropriate for all kinds of usage which need an extensive professional illumination.

- Industry
- Construction machines
- Vehicles
- Mechanical engineering ...

Technical data

LED Power	2x10W
Electrical power	24VDC 0,8A
Operating Voltage	8-70V DC
Luminous flux	1.400lm
CRI-Index	Ra>80
Luminous angle	Flood
Average LED lifetime at 20°C	>50.000h
Loss of luminous flux	<10%
LED resistance to switching	>1mio.
Color temperature	6.500K / cool white
Temperature range for operation	-30°C to +50°C
Housing material	aluminium
Housing color	black
Cover	plastic glas
Type of protection	IP67
Protection class	III
Weight	0.9 kg
Dimensions L x W x H	74 x 120 x 93 mm

EDP No.	Product ID No.	Description
110595	ILED6.20.FLOOD.CW.8-70VDC.3M.OS.M	Work light IP67, 8-70VDC, 2x10W, FLOOD, CW 6.500K, 1.400lm, connection line 3 m H05RN-F 2x1 mm ² without plug



I-LED 6.40



Product features

Small LED-flood light with symmetric luminous characteristics. The I-LED 6 has a slim construction, is powder-coated black and has 3 m feeding-line 2x1 mm².

- Full luminous flux is available immediately
- Lower power consumption with good luminous efficiency
- Minimal temperature development
- Extremely resistant to switching (>1 million)
- Maintenance-free
- No UV/IR-radiation
- Not sensitive to impact and vibrations

Range of application

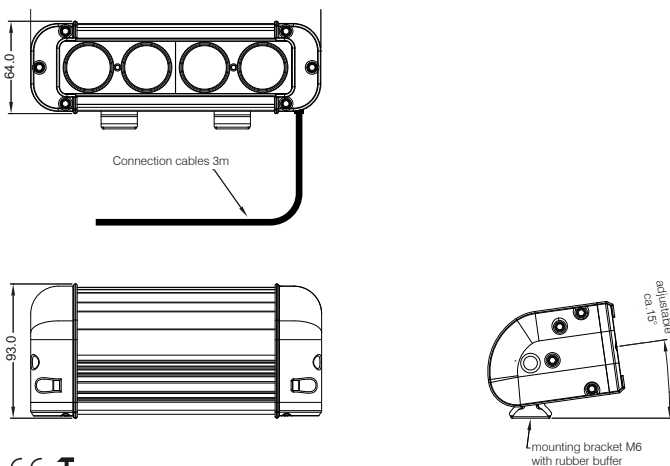
Appropriate for all kinds of usage which need an extensive professional illumination.

- Industry
- Construction machines
- Vehicles
- Mechanical engineering ...

Technical data

LED Power	4x10W
Electrical power	24VDC 1,6A
Operating Voltage	8-70V DC
Luminous flux	2.800lm
CRI-Index	Ra>80
Luminous angle	Flood
Average LED lifetime at 20°C	>50.000h
Loss of luminous flux	<10%
LED resistance to switching	>1mio.
Color temperature	6.500K / cool white
Temperature range for operation	-30°C to +50°C
Housing material	aluminium
Housing color	black
Cover	plastic glas
Type of potection	IP67
Protection class	III
Weight	1.2 kg
Dimensions L x W x H	74 x 200 x 93 mm

EDP No.	Product ID No.	Description
110596	ILED6.40.FLOOD.CW.8-70VDC.3M.OS.M	Work light IP67, 8-70VDC, 4x10W, FLOOD, CW 6.500K, 2.800lm, connection line 3 m H05RN-F 2x1 mm ² without plug



I-LED 6.60



Product features

Small LED-flood light with symmetric luminous characteristics. The ILED 6 has a slim construction, is powder-coated in black and has 3 m feeding-line 2x1 mm².

- Full luminous flux is available immediately
- Lower power consumption with good luminous efficiency
- Minimal temperature development
- Extremely resistant to switching (>1 million)
- Maintenance-free
- No UV/IR-radiation
- Not sensitive to impact and vibrations

Range of application

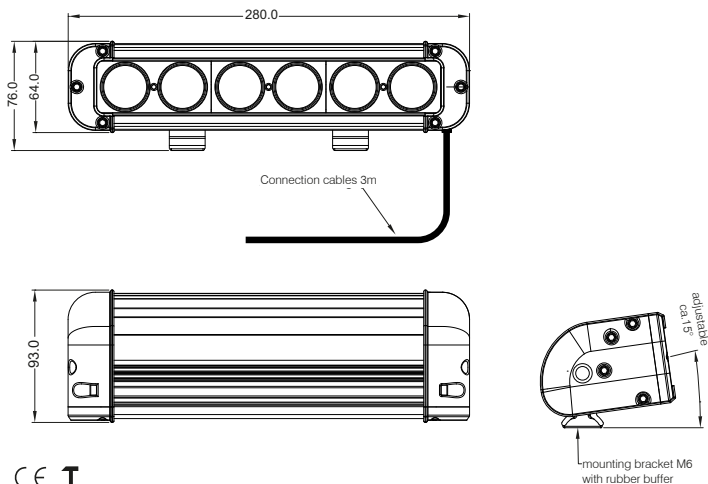
Appropriate for all kinds of usage which need an extensive professional illumination.

- Industry
- Construction machines
- Vehicles
- Mechanical engineering ...

Technical data

LED Power	6x10W
Electrical power	24VDC 2,4A
Operating Voltage	8-70V DC
Luminous flux	4.200lm
CRI-Index	Ra>80
Luminous angle	Flood
Average LED lifetime at 20°C	>50.000h
Loss of luminous flux	<10%
LED resistance to switching	>1mio.
Color temperature	6.500K / cool white
Temperature range for operation	-30°C to +50°C
Housing material	aluminium
Housing color	black
Cover	plastic glas
Type of protection	IP67
Protection class	III
Weight	1.6 kg
Dimensions L x W x H	76 x 280 x 93 mm

EDP No.	Product ID No.	Description
110597	ILED6.60.FLOOD.CW.8-70VDC.3M.OS.M	Work light IP67, 8-70VDC, 6x10W, FLOOD, CW 6.500K, 4.200lm, connection line 3 m H05RN-F 2x1 mm ² without plug



I-LED 7.36



Product features

Compact LED-flood light with symmetric luminous characteristics. The I-LED 7 has a slim construction, is powder-coated in black and has 3 m feeding line 2x1 mm².

- Full luminous flux is available immediately
- Lower power consumption with good luminous efficiency
- Minimal temperature development
- Extremely resistant to switching (> 1 million)
- Maintenance-free
- No UV/IR-radiation
- Not sensitive to impact and vibrations

Range of application

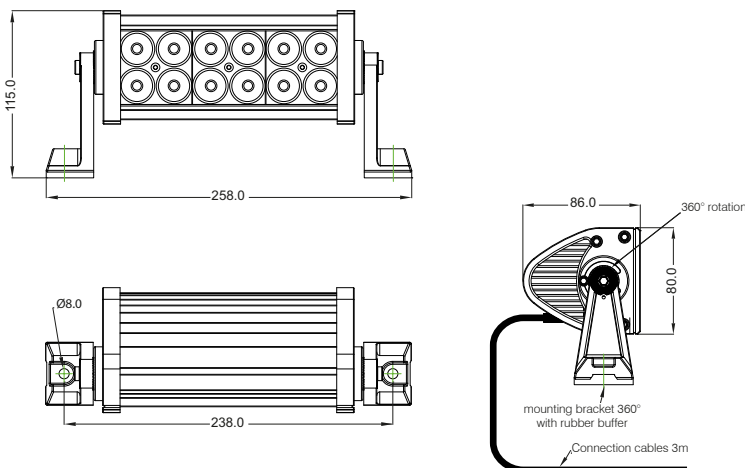
Appropriate for all kinds of usage which need an extensive professional illumination.

- Industry
- Construction machines
- Vehicles
- Mechanical engineering ...

Technical data

LED Power	12x3W
Electrical power	24VDC 1,5A
Operating Voltage	10-36V DC
Luminous flux	2.160lm
CRI-Index	Ra>80
Luminous angle	Flood
Average LED lifetime at 20°C	>50.000h
Loss of luminous flux	<10%
LED resistance to switching	>1mio.
Color temperature	6.500K / cool white
Temperature range for operation	-30°C to +50°C
Housing material	aluminium
Housing color	black
Cover	plastic glas
Type of potection	IP67
Protection class	III
Weight	1.3 kg
Dimensions L x W x H	115 x 258 x 86 mm

EDP No.	Product ID No.	Description
110598	ILED7.36.FLOOD.CW.10-36VDC.3M.OS.M	Work light IP67, 10-36VDC, 12x3W, FLOOD, CW 6.500K, 2.160lm, connection line 3 m H05RN-F 2x1 mm ² without plug



I-LED 7.72



Product features

Compact LED-flood light with symmetric luminous characteristics. The ILED 7 has a slim construction, is powder-coated in black and has 3 m feeding-lines 2x1 mm².

- Full luminous flux is available immediately
- Lower power consumption with good luminous efficiency
- Minimal temperature development
- Extremely resistant to switching (>1 million)
- Maintenance-free
- No UV/IR-radiation
- Not sensitive to impact and vibrations

Range of application

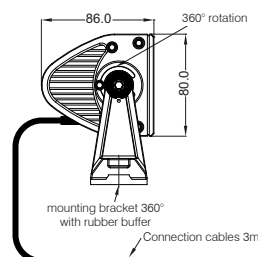
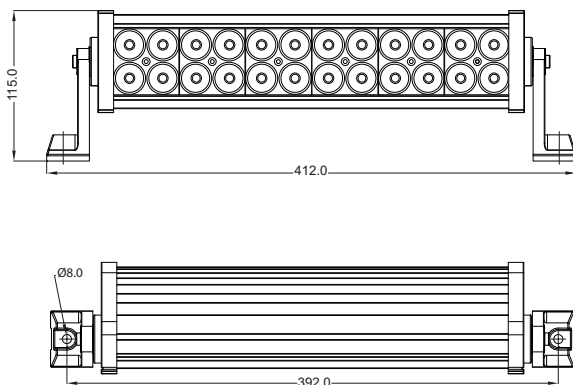
Appropriate for all kinds of usage which need an extensive professional illumination.

- Industry
- Construction machines
- Vehicles
- Mechanical engineering ...

Technical data

LED Power	24x3W
Electrical power	24VDC 2,95A
Operating Voltage	10-36V DC
Luminous flux	4.200lm
CRI-Index	Ra>80
Luminous angle	Flood
Average LED lifetime at 20°C	>50.000h
Loss of luminous flux	<10%
LED resistance to switching	>1mio.
Color temperature	6.500K / cool white
Temperature range for operation	-30°C to +50°C
Housing material	aluminium
Housing color	black
Cover	plastic glas
Type of protection	IP67
Protection class	III
Weight	1.8 kg
Dimensions L x W x H	115 x 412 x 86 mm

EDP No.	Product ID No.	Description
110599	ILED7.72.FLOOD.CW.10-36VDC.3M.OS.M	Work light IP67, 10-36VDC, 24x3W, FLOOD, CW 6.500K, 4.200lm, connection line 3 m H05RN-F 2x1 mm ² without plug



I-LED 7.180



Product features

Compact LED-flood light with symmetric luminous characteristics. The I-LED 7 has a slim construction, is powder-coated in black and has 3 m feeding line 2x1 mm².

- Full luminous flux is available immediately
- Lower power consumption with good luminous efficiency
- Minimal temperature development
- Extremely resistant to switching (> 1 million)
- Maintenance-free
- No UV/IR-radiation
- Not sensitive to impact and vibrations

Range of application

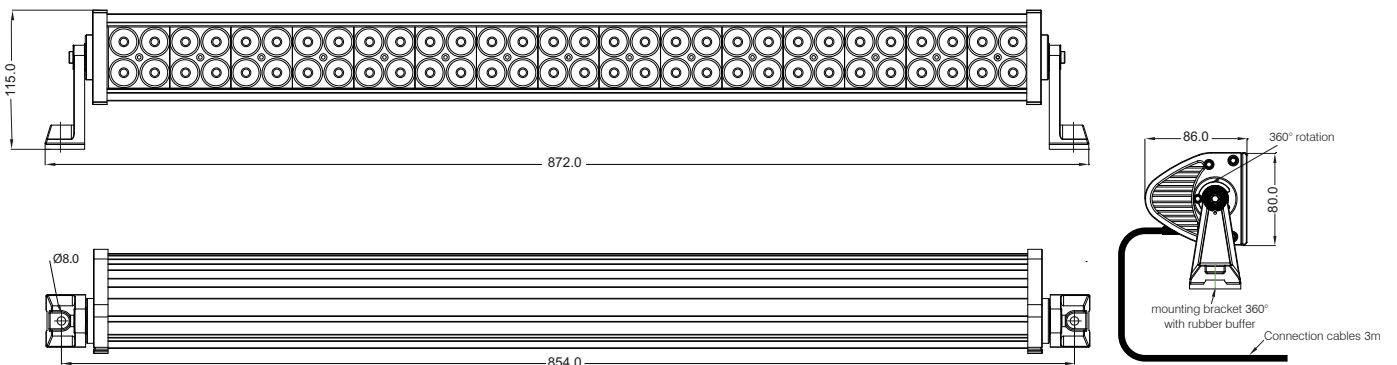
Appropriate for all kinds of usage which need an extensive professional illumination.

- Industry
- Construction machines
- Vehicles
- Mechanical engineering ...

Technical data

LED Power	60x3W
Electrical power	24VDC 7,2A
Operating Voltage	10-36VDC
Luminous flux	10.800lm
CRI-Index	Ra > 80
Luminous angle	Flood
Average LED lifetime at 20°C	> 50.000h
Loss of luminous flux	< 10%
LED resistance to switching	> 1mio.
Color temperature	6.500K / cool white
Temperature range for operation	-30°C to +50°C
Housing material	aluminium
Housing color	black
Cover	plastic glas
Type of potection	IP67
Protection class	III
Weight	3.6 kg
Dimensions L x W x H	115 x 872 x 86 mm

EDP No.	Product ID No.	Description
110602	ILED7.180.FLOOD.CW.10-36VDC.3M.OS.M	Work light IP67, 10-36VDC, 60x3W, FLOOD, CW 6.500K, 10.800lm, connection line 3 m H05RN-F 2x1 mm ² without plug



Work light



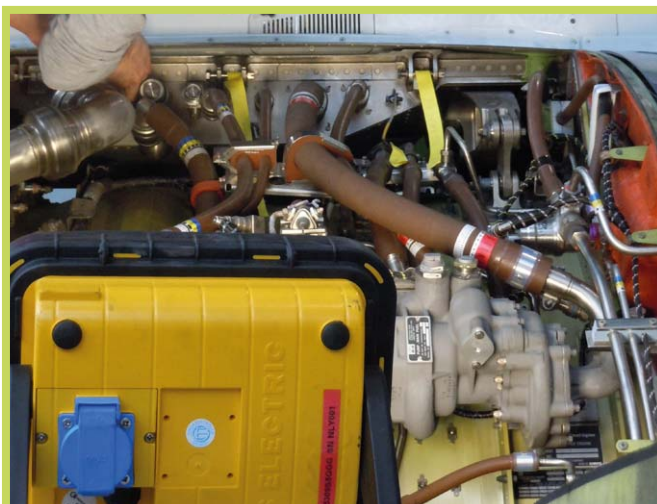
Prima LED - Lighting of the dry docks for aircraft maintenance



SpotLED - Facade lighting



Prima LED - Lighting for aircraft maintenance



Prima LED - Machine Lighting / Workplace lighting



SpotLED - Additional lighting for trains / vehicles

Work light



I-LED Flex - Machine Lighting / Workplace lighting



I-LED - All-round / additional lighting on emergency vehicles



I-LED - Facade lighting



I-LED - Lighting on work baskets





Tripods / tripods with lighting



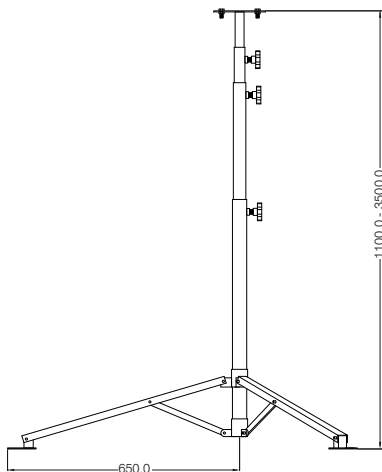
GIFAS-Light stand 915.D (telescopic)



Product features

- Galvanised steel
- Extendable from 1.000 to 3.500 mm
- Collapsible to a size of 1.000 x 190 x 190 mm
- 3 telescopic tubes with anti-locking treatment
- Adjustable base plates
- Weight: approx. 7.2 kg

EDP No.	Product ID No.
56765	915.D.M8
57305	915.D.NORMZAPFEN.M
55784	NORMHÜLSE.M8.ALU.STERNGRIFF



GDL - GIFAS DiscLED 300W 100° 230V


The compact large-area light with an illumination area of 500 m² (radius 25 m when used at a height of 4 meters). The GIFAS DiscLED can be mounted upright on the tripod (not included). Due to the inclination of the lamp head, it is possible to direct the illumination in one direction.

Product features

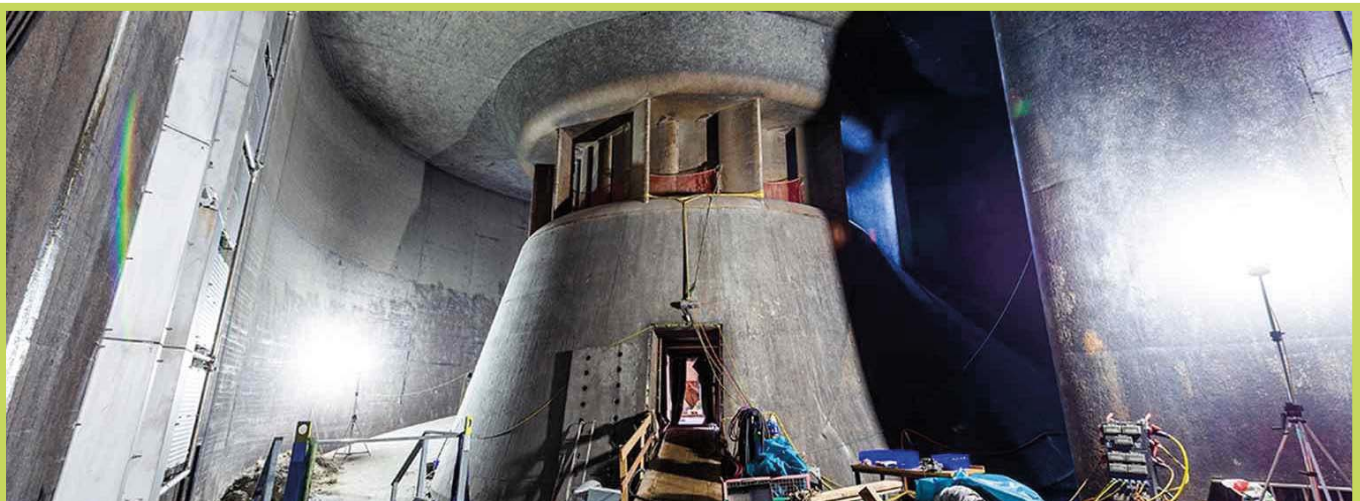
- Long service life
- Rustproof polyester coating
- Full luminous flux is available immediately
- Low energy consumption
- Minimal temperature development
- Extremely resistant to switching
- No UV / IR radiation
- Shock and vibration insensitive compact design
- Universally applicable

Technical data

Input voltage	100-270VAC
Light source	SMD-LEDs
Radiation characteristic	100° - with diffuse cover
System performance	310W
LED power	300W
Luminous flux	39.000lm
System efficiency	130lm/W
Light color	5.000K coolwhite
CRI (Color rendering index)	RA >80
L80/B50	>50.000h
Dimming	no
Safety class	IP65 - for use in unprotected outdoor area
D-marking	none
Protection class	I
Shock resistance	IK08
Temperature range for operation	-40°C up to +50°C
Housing	aluminum
Housing surface	coated
Housing color	grey / black
Cover	PMMA
Weight	approx. 7,8kg
Swivel range tripod mount	+/- 45°
Feeding lines	5m H05RN-F 3G1,0 mm ²
Dimensions D x H	400 x 313 mm (incl. tripod mount)

EDP-No.	Product ID No.	Description
840879	GDL.300W.CW.230VAC.IP65.INKL.TRAGETASCHE	GIFAS DiscLED 300W, IP65, 5000K, IK08, 39.000lm, Beam angle 100°, with 5 m connection cable H05RN-F 3x1 mm ² , incl. carrying case
133940	STATIV.TRAGLAST.85KG.190-400CM.INKL.TRAVERSE.KURBEL	Tripod with crank, H min. 190 cm, H max. 400 cm, max. loadable up to 85 kg
840884	GDL.STATIVADAPTER.37MM	Tripod adapter 37 mm incl. T-screw 20 mm for GIFAS DiscLED

Tripods / tripods with lighting



Tripods / tripods with lighting



CONTACT US



GIFAS
ELECTRIC

GIFAS ELECTRIC
Gesellschaft m.b.H
Strass 2
5301 Eugendorf
AUSTRIA

🌐 www.gifas.at
✉ verkauf@gifas.at
☎ +43 6225/7191-0
☎ +49 8654/404-2000

SYSTEMATIC QUALITY

Rechargeable lights Battery lights



LED rechargeable lights / handheld battery lights

Page 6 - 11

G80RI
inductive charging



Page 6

FlashLED 2
with emergency
light function



Page 7

G40R
with floor magnet



Page 8

TorchLED



Page 9

Peli 7060
rod torch



Page 10

G7
rod torch



Page 11

Application examples

Page 12 - 15

Rechargeable - /
Battery lights



Page 12 - 15

We have a wide range of rechargeable battery / battery lights - whether LED handheld lights with an emergency light function, integrated floor magnet, inductive charging, or simply a rod torch, convince yourself of our variety of battery lights.



Rechargeable lights / Handheld battery lights



G80RI Rechargeable lights (PATENTED)



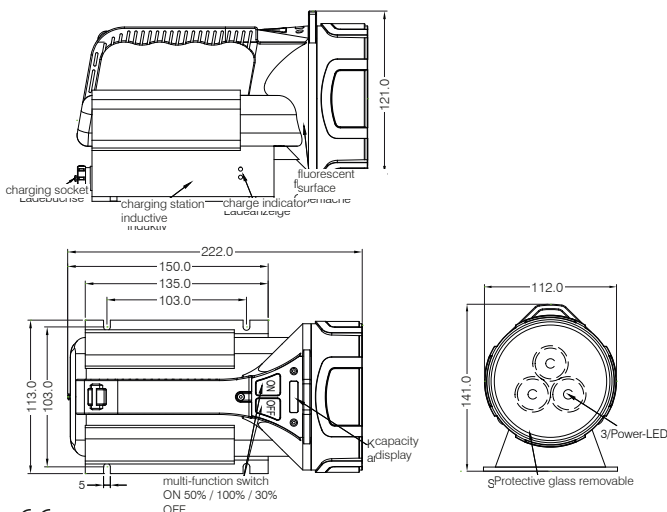
Product features

Lamp housing	high-impact plastic monocase, surface rubberized, color fluorescent yellow fluorescent.
Lamp head	3-Powered protected with black absorbing rubber cover Holder for slip-on protection, push-on spreading lens, push-on colored lens.
Control panel	Multifunction buttons - color bright orange, switching stages ON / 50% / 100% / 30% / OFF 4-stage LED capacity indicator.
Rechargeable battery	Powerful high-efficiency cycle-proof lithiumiron phosphate battery (LiFePO4)
Rechargeable loading	contactless inductive via power chip with error protection function
Receiving screw thread	M8x10 at the lamp base for optional magnetic holder, ball head, tripod

Technical data

Power supply	Rechargeable battery 6,4VDC 10Ah LiFePO4
Charging voltag inductive	19V 2A
Fully charged	after approx. 5h
Illuminant	3x LED 3W BA4° CREE XPG II 6500K
Different lighting levelsn	50%, 100% and 30%
Light bar	50% 400lm, 100% 750lm, 30% 250lm
Lighting time (at 20°C)	50% 14 h, 100% 9 h, 30% 20 h
Type of protection light	IP66
Weight light incl. rechargeable battery	1.15 kg
Dimensions L x W x H	222 x 113 x 141 mm
Operating temperature range	-20°C to +45°C
Charging temperature range	+10°C to +30°C
Incl. Wall charger inductive with one adapter each 230VAC and KFZ12 / 24VDC	
Type of protection Wall charger	IP20

G80RI		
EDP-No.	Product-ID-No.	Description
840512	G80RI.LED3X3W.4°.6500K.LIFEPO4.10AH.12/24/230V	Set: Hand lamp battery LiFePO4 10Ah incl. inductive wall charger 12-24VDC/230VAC, incl. shoulder strap, protective + diffuser screen, IP66
840599	G80RI-MAGNETHALTER	Magnet rubberized with threaded bolt M8 for mounting on G80RI
840613	G80RI-STATIV.KUGELKOPF	Ball head with M8 thread for tripod
840608	G80RI-STATIV	Tripod 54-200cm with ball head
840601	G80RI-SCHUTZSCHEIBE.ROT	Protective screen red pluggable



01/2024/1.1

FlashLED 2 Work and inspection lamp with emergency light function



Product Features

The FlashLED 2 is based on the latest Li-ion battery technology coupled with up-to-date LED technology.

If the supply voltage of the charging station fails, the light switches on in "emergency light" mode. This is activated at the factory ("ON"), but can be changed by pressing the "OFF" switch. The emergency light function is activated by setting the magnetic switch to the "Emergency Light ON" position.

The swivelling light head is a further advantage; the degree of protection of IP65 (IP54 for the charging station) and the easily understandable film panel are additional positive properties of the product.

- The latest Li-Ion technology for a high energy density and maximum service life (up to 1.000 cycles possible)
- GIFAS Battery Management System to monitor and verify all important battery operating parameters
- Up to 14 hours of light in four selectable modes:
 - Spot: clustered, wide beam of light
 - Wide: light that illuminates the room
 - Full light: combination of Spot and Wide
 - Emergency light: broadly illuminating light cone
- Memory function = last setting is saved
- Blinking mode
- Robust housing made of polyamide
- Corrosion-resistant charging contacts (spring steel)
- Vertical swivelling light head
- Over-current, temperature and deep discharge protection
- Low self-discharge of the Li-Ion battery

Technical data light

Operating Voltage	10 - 42VDC
Power supply	Li-Ion battery 14.4V 2.600mAh
Charging time	5 h
Lighting time:	
- Spot	10 h (3 LED)
- Wide	14 h (2 LED)
- Full light	5 h (5 LED)
- Emergency light	5 h (5 LED)
Illuminant	5 Power-LED à 3W, cool white 5.000K
Luminous flux LED	200lm - 1.250lm
Type of protection	IP65
Protection class	III
Operating temperature range	-20° bis +45°C
Charging temperature range	0° bis +45°C
Dimensions (L x W x H):	
- Light excl. charging station	251×124×94 mm
- Light incl. charging station	323×149×108 mm
Weight	1,06 kg

Technical data Charging station

Operating Voltage	230VAC (85 - 264VAC) od. 12-24VDC
Type of protection	IP54
Protection class 230 VAC	II
Protection class 12 - 24 VDC	III
Dimensions (L x W x H)	149 x 276 x 95 mm
Weight	430 g

FlashLED 2		
EDP-No.	Product-ID-No.	Description
861200	FLASHLED2.ARBEITSLEUCHTE.LI-ION.12/24/230V	Li-Ion hand lamp battery, with emergency light function IP65, without charging station
137073	FLASHLED2.230VAC.AKKU.LI-ION.2,6AH.SET	Li-Ion hand lamp battery, including wall charging station 230VAC, shoulder strap
137074	FLASHLED2.12/24VDC.AKKU.LI-ION.2,6AH.SET	Li-Ion hand lamp battery, including wall charging station 12/24VDC, shoulder strap

Accessories / spare parts		
EDP-No.	Product-ID-No.	Description
860032	FLASHLED.LADESTATION.230V	Wall charging station 230VAC for wall with 1,5 m cable and contour plug
90083	FLASHLED.LADESTATION.12/24V.2M.ZIG	Wall charging station 12/24VDC with plug car cigarette lighter
56042	FLASHLED.9FL10.5/8SE.TRAGEGURT	FlashLED 2 shoulder strap
136983	FLASHLED2.FARBFILTER.ROT/GELB/GRÜN	LED color frame set for FlashLED 2 red / yellow / green
861212	FLASHLED2-ERSATZAKKU.LION.14,4V.2600mAh	Spare battery 14,4V 2.600mAh for FlashLED 2
860744	FLASHLED2-AKKUFACHDECKEL.M.MAGNETSTREIFEN	Battery cover with magnetic strip to FlashLED 2

G40R Rechargeable light with ground magnet



Product features

Small, powerful LED spotlight combined with the Li-ion - Battery Technology.

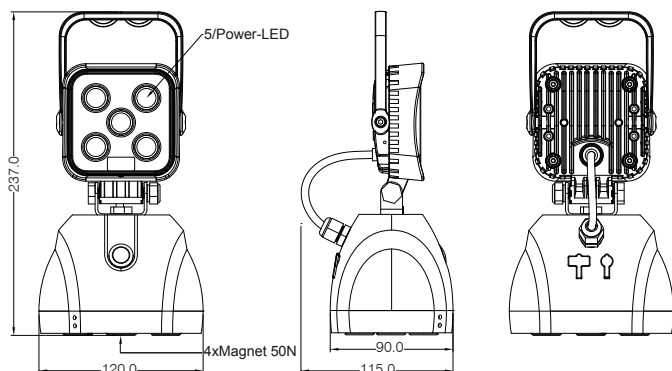
Housing material	Plastic blue/black rubberized , shock-proof
Lamp head	aluminium black
Switching mode	100%, 50%, flashing, AUS
Additional Features	Base with magnet 4x 50N Handle can be swiveled 180° USB socket 5VDC 2A 230VAC 50/60Hz IP20
Charger	Car-adapt. 12/24VDC/8,4VDC with cig.-plug optional multi charger (5-times) 230VAC
Capacity display	LED2 GREEN >65% YELLOW 25-65% RED 10-25% ROT flashing < 10%

Technical data

LED Power	5 x 3W
Luminous flux	900lm
Operating Voltage	7.4VDC
Rechargeable battery	Li-Ion battery 4.400mAh
Lighting time	Modus 100% approx. 5h Modus 50% approx. 10h
Boost time	approx. 5h
	light indicator LED GREEN = 100%
Luminous angle	Flood 90°
Type of protection	IP65
Weight incl. rechargeable battery	approx. 850 g
Dimensions (L x W x H)	237 x 120 x 115 mm
Operating temperature range	-20 °C to +45 °C
Charging temperature range	+10 °C to +30 °C

G40R with ground magnet

EDP-No.	Product-ID-No.	Description
840596	G40R.LED5x3W.90°.6500K.LION.4,4AH.MAGNET.12/24/230V	Rechargeable light 15W,Li-Ion battery 4,4Ah 7,4V, color blue/black, with USB, Handle,12V/230V charge cable, 4x magnet, 6.500K
840617	G40R.LED5x3W.90°.6500K.LION.4,4AH.MAGNET.12/24/230V.G	Rechargeable light 15W,Li-Ion battery 4,4Ah 7,4V, color blue/black, with USB, Handle,12V/230V charge cable, 4x magnet, 6.500K
840618	G40R.LADEKABEL.5FACH	Charging cable (5-times) 230VAC 70VA



EDP-No. 840618

TorchLED Battery operated or rechargeable



Product features

- PA6-Casing, with rubber overmoulded handle (non-slip)
- Freestanding
- Belt holder/ bracket
- Impact-resistant
- Lamp holder (charger)

Light functions		TorchLED (yellow) with Battery / rechargeable	TorchLED emergency light (red) with 1900mAh rechargeable
Main functions	Function	Operating time	Operating time
1 power LED white	focused light / broad light		
	full Load	approx. 6 h / 4 h	approx. 4 h
	dimmed	>80 h / >40 h	>40 h
2 LED signal lights	permanent / flashing	>20 h / 80 h >10 h / 40 h	>10 h / 40 h

Technical data light

Operating Voltage TorchLED (yellow):

- Battery operation 4 Stk. AA 1,5V batteries to 3000mAh
- Rechargeable battery 4 Stk. AA 1,2V rechargeable batteries mind. 1900mAh

Operating Voltage TorchLED (red) with emergency light function:

- Rechargeable battery 4 Stk. AA 1,2V rechargeable batteries to 1900mAh

Operating temperature range

-20 °C to +45 °C

Type of protection

IP 54

Dimensions (W x H x D)

67.8 x 115.5 x 34 mm

Weight

approx. 230 g

Technical data charging station

Housing

ABS

Montage

Wall or table mounting possible

Power supply

700mA charging current

Charging time

approx. 1900mAh cells max. 4 h

Contacts

spring steel, gold plated

Type of protection

IP40

Dimensions (W x H x D)

86,6 x 79,6 x 44 mm

TorchLED		
EDP-No.	Product-ID-No.	Description
860236	TORCHLED-HANDLAMPE.OHNE.AKKU.NOTLICHT	Portable light with EMERGENCY LIGHT and hand loop, without battery, LED: 2x white, 2x red, 2x green
860237	TORCHLED-HANDLAMPE.OHNE.AKKU	Portable light without accu/batteries, incl. Handrail, housing color red, LED: 2x white, 2x red, 2x green

Accessories / spare parts		
EDP-No.	Product-ID-No.	Description
103366	TORCHLED-LADESTATION.15VDC.1,5M.ZUL.ZIG	Charging station to TorchLED with 1,5 m Feeding lines and plug car cigarette lighter
860276	TORCHLED.LADESTATION.SCHW.230VAC/15VDC	Charging station 230VAC/15VDC TorchLED incl. 1,5 m cable, and plug in transformer plug in transformer
860440	TORCHLED-LADESTATION.12-48VDC.UL94V0.1,5M.ZUL.O.ST.	Charging station 700mAh to TorchLED with 1,5 m Feeding lines, without plugs
860274	TORCHLED-AKKU.1,2V.1900mAh.AA.1STÜCK	Battery 1,2V 1900mAh, rechargeable, Sanyo Eneloop
860275	BATTERIE.1,5V.AA	Battery 1,5V AA

PELI 7060 LED Rechargeable lights



Product features

- Bright white light
- Long, continuous battery life of 90 minutes, without losing intensity
- Less than half the weight of standard lights
- Compact size (e.g. more space at the police belt for other equipment)
- The light is almost indestructible due to highly stable Xenoy resin
- Supplied with battery, charger and belt clip

Technical data

Illuminant	LED 4,4 Watt
LED-Operating life	over 10.000 h
Lighting time	1.5 h
Length	220 mm
Rechargeable battery	1x3.7V, 2200mAh Li-Ion battery
Weight incl.	290 g

PELI 7060 LED

EDP-No.	Product-ID-No.	Description
89167	9.PE.7060.LED.AKKU+LADEG.	Rechargeable lights 4.4W, Burning time 1.5h and Charger

Accessories / spare parts PELI 7060 LED

EDP-No.	Product-ID-No.	Description
88410	9.PE.ZIG.STECKER.12V	12V plug for cigarette lighter

**G7, G7 RGB
Torch**



Product features

The torch G7 and G7 RGB are modern working and inspection lamps, which can be used for varied uses. They are therefore suitable for use as:

- Inspection light for maintenance
- Maintenance: Police, Fire, Train, Security Services, etc.
- for Private use

They can be used as working lights, for revisions, for night operations, etc.

Using the latest LED technology, the G7-series works very energy efficiently.

Operation via batteries (non rechargeable) or on request with Accu (rechargeables).

Additional functions G7

- Flash function
- Zoom adjustable by rotary switch from circular low beam to focus collimated beam

Additional functions G7 RGB

- Adjustable color light with rotary switch, selectable between white, red, green or blue light



Technical data

Housing material	shockproof aircraft aluminium
Temperature range for operation	-20°C to +45°C
Type of protection	IP66
Dimensions	length 125 mm x Ø 30 mm
Weight (incl. batteries)	164 g
Battery	3xLR03 AAA 1,5V

G7

LED Equipment: 1x HL LED
Switching: 100% / Flash
Luminous flux: 230lm
Light color: 5.000K

G7 RGB

LED Equipment: G7 RGB 1xCree MC-E
Color Switching: 100% / W / R / G / B
Luminous flux: 100lm
Light color: RGB

G7 + G7 RGB		
EDP-No.	Product-ID-No.	Description
840103	G7	Torch G7 incl.3xAAA Battery incl. hand strap, belt clip, belt case, white light 5.000K with zoom and flash function
108140	G7 RGB	Torch G7 RGB incl.Battery, hand strap, belt clip, belt case, Light colors available white, red, green, blue

Rechargeable lights / battery lights



G80RI - inductive charge and fluorescent surface



FlashLED 2 - with shoulder strap for free hands when working

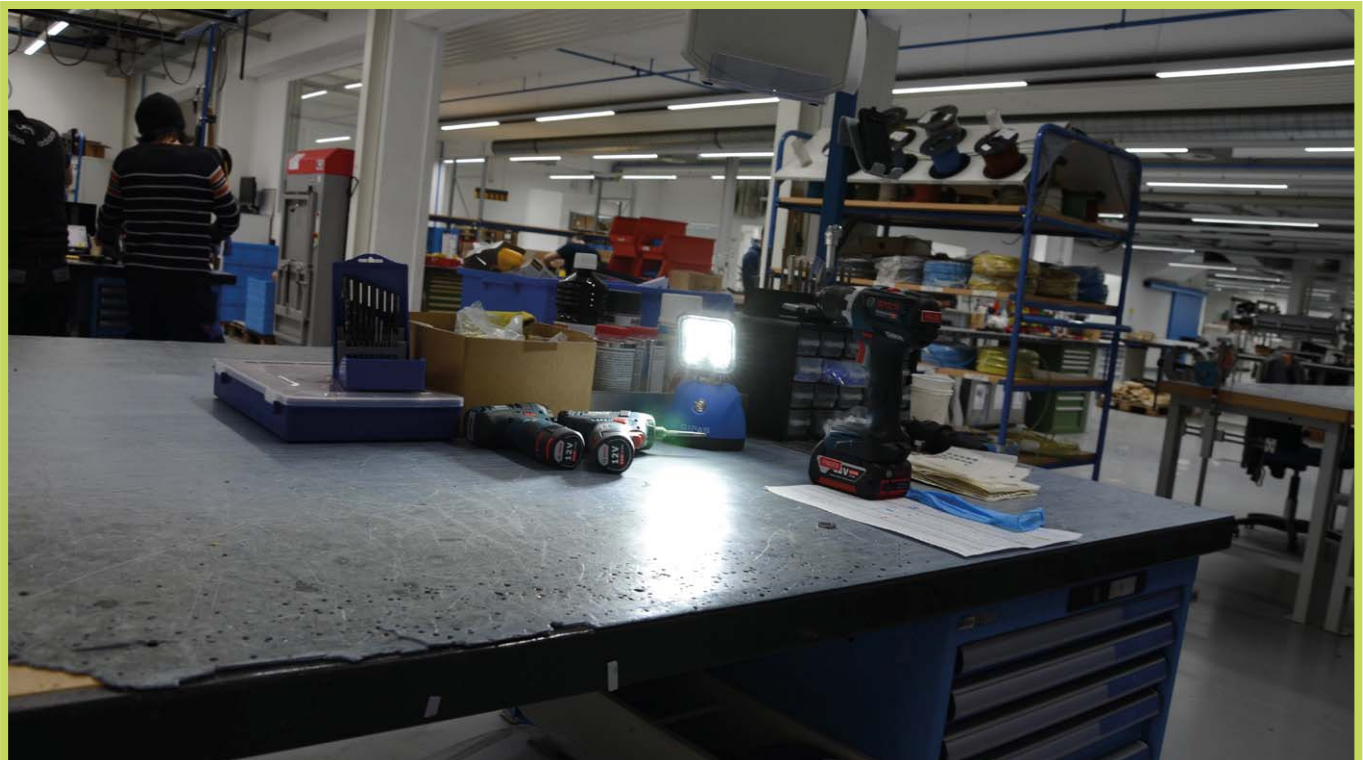


Rechargeable lights / battery lights



FlashLED 2 - inspection lamp with emergency light function

Rechargeable lights / battery lights

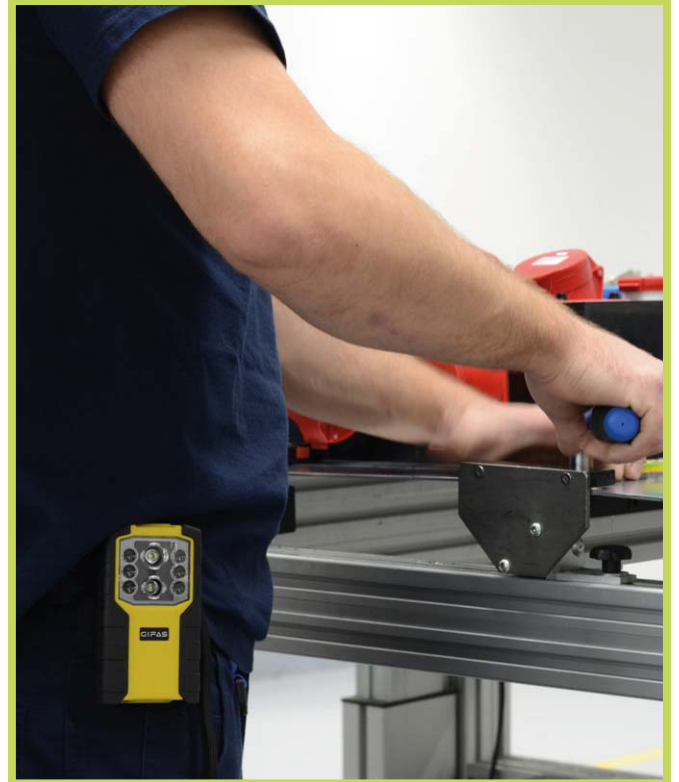


G40R - rechargeable lights with floor magnet

Rechargeable lights / battery lights



TorchLED - hand-held lights



TorchLED NOT - hand-held lights



CONTACT US

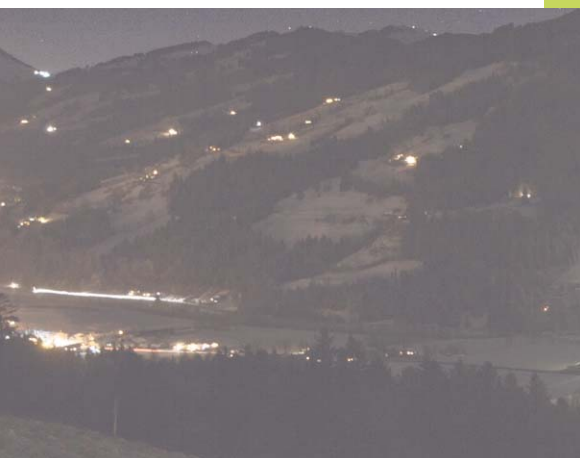


GIFAS
ELECTRIC

GIFAS ELECTRIC
Gesellschaft m.b.H
Strass 2
5301 Eugendorf
AUSTRIA

🌐 www.gifas.at
✉ verkauf@gifas.at
☎ +43 6225/7191-0
☎ +49 8654/404-2000

Street lighting
Square lighting
Path lighting



LED Street - / parking lot lighting

Page 6 - 8

GIFAS StreetLED 140x50° GIFAS StreetLED 130x75°



Page 7

Page 8

LED Path - / cross- country trail lighting (mobile)

Page 12 - 13

WayLED

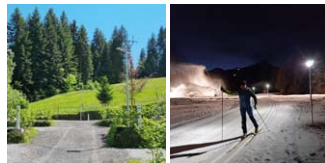


Page 12 - 13

Application examples

GIFAS StreetLED

WayLED



Page 9

Page 14 - 15

LED lights for street lighting / parking lot lighting - GIFAS StreetLED - SMD LED technology and the latest, highly efficient driver technology. GSL is available in various models as street lighting, parking lot lighting, square lighting, and much more.

WayLED - the mobile lighting system for cross-country trails, toboggan runs, paths, for asphalt or ice stick shooting, this lamp has countless uses. The path lighting is simply anchored to the ground using a screw foundation and can then be easily dismantled at any time.



Street - / Parking lot lighting



GSL - General / Features



Area light GSL – GIFAS StreetLED

A slim design, the latest LED and highly efficient driver technology have been combined into a new LED light, the GSL from GIFAS ELECTRIC. In addition to ease of maintenance, high energy efficiency and high reliability, the GSL impresses with its simple design. Due to the availability of different outputs and radiation characteristics, all lighting requirements can be met, from uniform and flat parking lot lighting to various facades and street lighting.



Optics

To ensure that the light distribution is ensured uniform and homogeneous over a large area, each LED is equipped with a single lens. This allows a specific direction of the light and increases the quality of lighting.



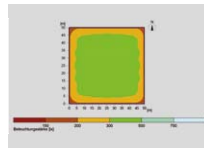
Fastening Device

The prefabricated lock holes provide a simple adjustment and fixation of the luminaire inclination. Thus, the light can be mounted from 0° to 90° or from -15° to +15° (in 5° steps) tilted depending on.



Electronics

The latest, highly efficient driver technology ensures low power losses and safe operation of the LED modules. With the easily accessible mounting position of the driver, it can be replaced quickly - easily and safely.



Light distribution

The light distribution of the GSL has been designed to achieve uniformity and a homogeneous illumination situation even over large areas.



Tool-free opening

By simply unfolding the locking hinges, the GSL can be opened without tools.



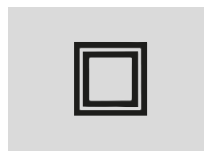
Future-proof and economical

The GSL impresses with enormous system efficiency and high quality of light. Thanks to the 1-10V dimming interface, the light can be integrated into intelligent lighting systems. Use in sensor-controlled systems (light or presence detector) opens up further energy-saving potential.



Robust

Due to the high impact resistance class IK10, the lamp is extremely resistant to any vibration. She can withstand impact energies of up to 20 joules (distance: 40cm), which roughly corresponds to a hit with a 5kg hammer.



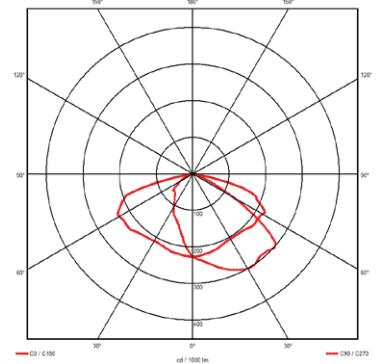
Safety insulation

Reinforced insulation of the equipment ensures that our GIFAS StreetLED is marked with protection class II.

GSL GIFAS StreetLED 140x50°



Light intensity distribution 140x50°



Product features

GIFAS StreetLED - with asymmetrical light characteristics. The slim-line luminaire has a die-cast aluminum housing which is powder-coated with a durable epoxy paint. It has ozone and UV-resistant seals and stainless steel screws.

- Type of protection IP66 / degree of protection IK10 (impact-resistant)
- Full luminous flux is available immediately
- Lower power consumption with good luminous efficiency
- Minimal temperature development
- Operates within a broad temperature range: -40°C to +50°C
- No UV/IR-radiation
- Not sensitive to vibrations
- Easy opening of the housing without tools
- Disconnecting the connectors when opening ensures safe working during the installation and maintenance process.
- Universal bracket for pole or wall installation, tilt adjustment in 5° increments from -15° to +15°

Technical data

LED Power	40W / 75W / 120W / 150W / 165W
System performance	42W / 82W / 121W / 159W / 174W
Operating Voltage	230VAC
Luminous flux	5.836lm / 11.583lm / 16.850lm / 23.204lm / 27.440lm
Light source	SMD-LEDs
System Efficiency	139lm/W / 141lm/W / 139lm/W 146lm/W / 158lm/W
CRI-Index	Ra > 70
Luminous angle	140x50°
L90/B10	> 100.000h
Color temperature	3.000K / 4.000K
Temperature range for operation	-40°C to +50°C
Dimmable	yes (1-10V)
Housing material	aluminium - epoxy coated
Housing color	grey
Cover	PMMA
Type of protection / protection class light	IP66 / II
Degree of protection against mechanical damage	IK10
Weight	7,2 kg
Dimensions L x W x H	556 x 324 x 70 mm
Swivel range of universal mount	-15° to +15°
Pole attachment for Ø	60 mm

Light color 3.000K, with 60 mm pole mount

EDP-No.	Product-ID-No.	Description
138066	GSL.12LED.40W.140X50°.3000K.5836LM.DIMM.60MM	GIFAS StreetLED, 40W, 1-10V dimm, IP66, IK10
138275	GSL.24LED.75W.140X50°.3000K.11583LM.DIMM.60MM	GIFAS StreetLED, 75W, 1-10V dimm, IP66, IK10
138276	GSL.36LED.120W.140X50°.3000K.16850LM.DIMM.60MM	GIFAS StreetLED, 120W, 1-10V dimm, IP66, IK10
138277	GSL.48LED.150W.140X50°.3000K.23204LM.DIMM.60MM	GIFAS StreetLED, 150W, 1-10V dimm, IP66, IK10
138278	GSL.72LED.165W.140X50°.3000K.27440LM.DIMM.60MM	GIFAS StreetLED, 165W, 1-10V dimm, IP66, IK10

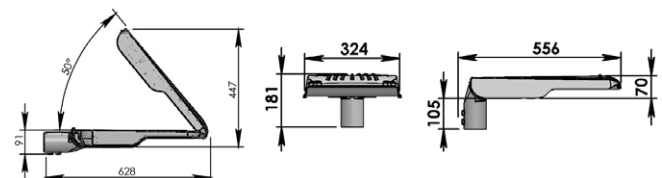
Light color 4.000K, with 60 mm pole mount

EDP-No.	Product-ID-No.	Description
137519	GSL.12LED.40W.140X50°.4000K.5836LM.DIMM.60MM	GIFAS StreetLED, 40W, 1-10V dimm, IP66, IK10
137520	GSL.24LED.75W.140X50°.4000K.11583LM.DIMM.60MM	GIFAS StreetLED, 75W, 1-10V dimm, IP66, IK10
137521	GSL.36LED.120W.140X50°.4000K.16850LM.DIMM.60MM	GIFAS StreetLED, 120W, 1-10V dimm, IP66, IK10
137522	GSL.48LED.150W.140X50°.4000K.23204LM.DIMM.60MM	GIFAS StreetLED, 150W, 1-10V dimm, IP66, IK10
137523	GSL.72LED.165W.140X50°.4000K.27440LM.DIMM.60MM	GIFAS StreetLED, 165W, 1-10V dimm, IP66, IK10

Use: Outdoor area

Decorative and technical application, street lighting, path lighting, parking lot lighting, space and surrounding lighting ...

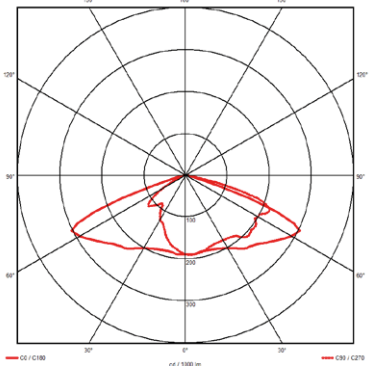
Suitable for all outdoor areas that require area lighting.



GSL GIFAS StreetLED 130x75°



Light intensity distribution 130x75°



Product features

GIFAS StreetLED - with asymmetrical light characteristics. The slim-line luminaire has a die-cast aluminum housing which is powder-coated with a durable epoxy paint. It has ozone and UV-resistant seals and stainless steel screws.

- Type of protection IP66 / degree of protection IK10 (impact-resistant)
- Full luminous flux is available immediately
- Lower power consumption with good luminous efficiency
- Minimal temperature development
- Operates within a broad temperature range: -40°C to +50°C
- No UV/IR-radiation
- Not sensitive to vibrations
- Easy opening of the housing without tools
- Disconnecting the connectors when opening ensures safe working during the installation and maintenance process.
- Universal bracket for pole or wall installation, tilt adjustment in 5° increments from -15° to +15°

Technical data

LED Power	40W / 75W / 120W / 150W / 165W
System performance	42W / 82W / 121W / 159W / 174W
Operating Voltage	230VAC
Luminous flux	5.836lm / 11.583lm / 16.850lm / 23.204lm / 27.440lm
Light source	SMD-LEDs
System Efficiency	139lm/W / 141lm/W / 139lm/W 146lm/W / 158lm/W
CRI-Index	Ra > 70
Luminous angle	130x75°
L90/B10	> 100.000h
Color temperature	3.000K / 4.000K
Temperature range for operation	-40°C to +50°C
Dimmable	yes (1-10V)
Housing material	aluminium - epoxy coated
Housing color	grey
Cover	PMMA
Type of protection / protection class light	IP66 / II
Degree of protection against mechanical damage	IK10
Weight	7,2 kg
Dimensions L x W x H	556 x 324 x 70 mm
Swivel range of universal mount	-15° bis +15°
Pole attachment for Ø	60 mm

Use: Outdoor area

Decorative and technical application, street lighting, path lighting, parking lot lighting, space and surrounding lighting ...

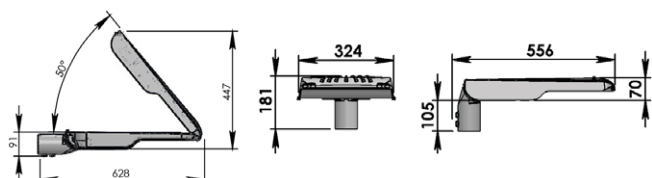
Suitable for all outdoor areas that require area lighting.

Light color 3.000K, with 60 mm pole mount

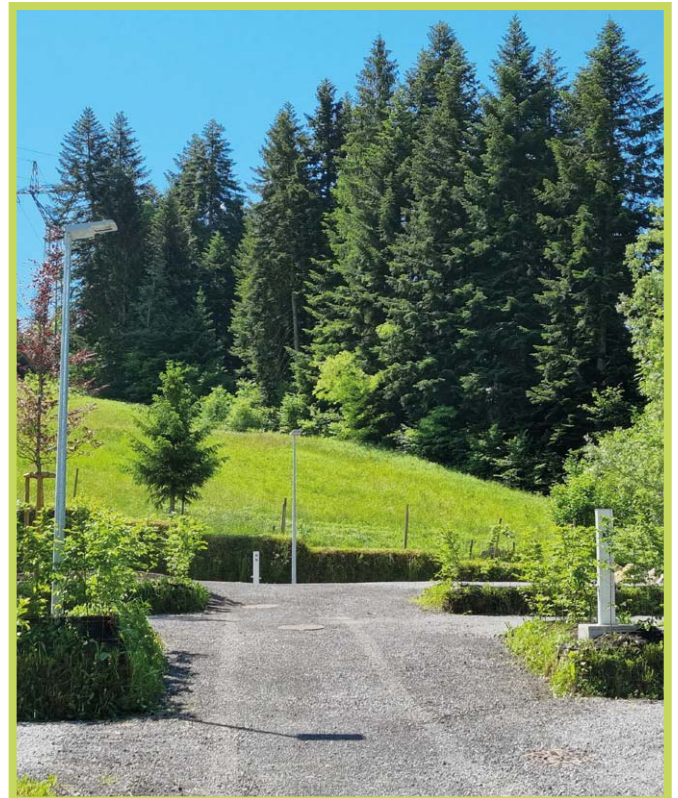
EDP-No.	Product-ID-No.	Description
138279	GSL.12LED.40W.130X75°.3000K.5836LM.DIMM.60MM	GIFAS StreetLED, 40W, 1-10V dimm, IP66, IK10
138281	GSL.24LED.75W.130X75°.3000K.11583LM.DIMM.60MM	GIFAS StreetLED, 75W, 1-10V dimm, IP66, IK10
138282	GSL.36LED.120W.130X75°.3000K.16850LM.DIMM.60MM	GIFAS StreetLED, 120W, 1-10V dimm, IP66, IK10
138283	GSL.48LED.150W.130X75°.3000K.23204LM.DIMM.60MM	GIFAS StreetLED, 150W, 1-10V dimm, IP66, IK10
138284	GSL.72LED.165W.130X75°.3000K.27440LM.DIMM.60MM	GIFAS StreetLED, 165W, 1-10V dimm, IP66, IK10

Light color 4.000K, with 60 mm pole mount


EDP-No.	Product-ID-No.	Description
137524	GSL.12LED.40W.130X75°.4000K.5836LM.DIMM.60MM	GIFAS StreetLED, 40W, 1-10V dimm, IP66, IK10,
137525	GSL.24LED.75W.130X75°.4000K.11583LM.DIMM.60MM	GIFAS StreetLED, 75W, 1-10V dimm, IP66, IK10,
137526	GSL.36LED.120W.130X75°.4000K.16850LM.DIMM.60MM	GIFAS StreetLED, 120W, 1-10V dimm, IP66, IK10,
137527	GSL.48LED.150W.130X75°.4000K.23204LM.DIMM.60MM	GIFAS StreetLED, 150W, 1-10V dimm, IP66, IK10,
137528	GSL.72LED.165W.130X75°.4000K.27440LM.DIMM.60MM	GIFAS StreetLED, 165W, 1-10V dimm, IP66, IK10,



GSL - GIFAS StreetLED

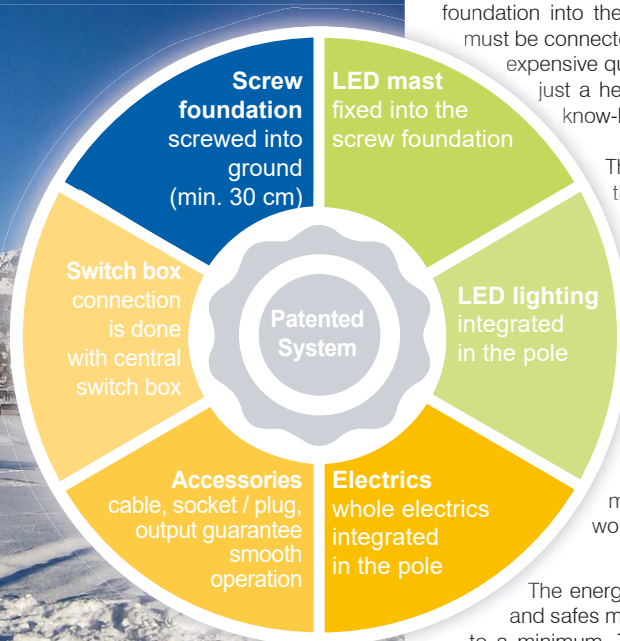
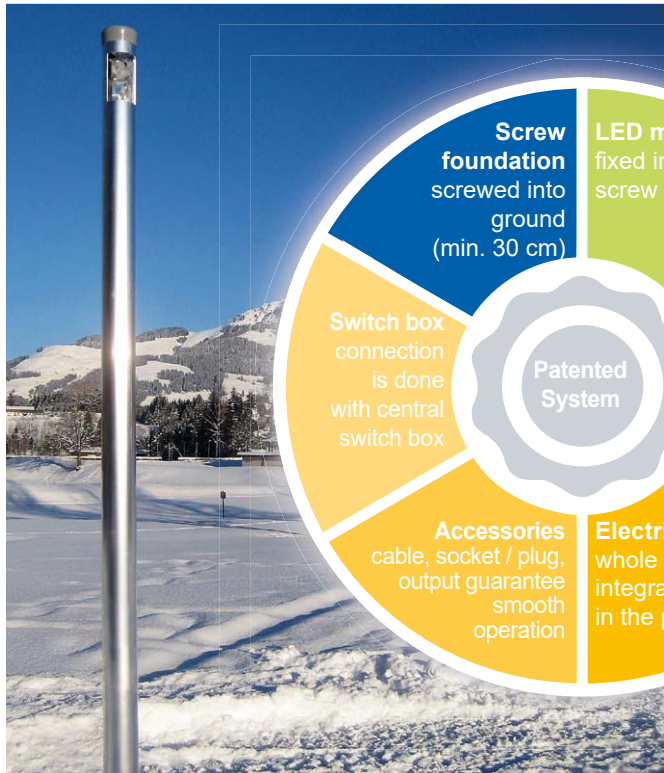




A night photograph of a mountain landscape. The sky is dark and filled with stars. A large, dark mountain peak is visible in the background. In the foreground and middle ground, there are snow-covered slopes and a valley. Several areas are illuminated with warm, yellow light, likely from trail lighting or buildings. The lighting highlights the contours of the terrain and the silhouettes of trees. The overall scene is a mix of natural beauty and human-made illumination.

**Path lighting /
Cross-country trail lighting
(mobile)**

WayLED - General / Features



The principle of lighting as a modular system is really simple but perfectly constructed and thought thru. The illumination poles are fixed with screw foundation into the soil. Starting from a central switch box, all poles must be connected with cables and the whole system is available. No expensive qualified technical personnel is needed for installation, just a healthy portion of common sense and a little manual know-how. That's the way to save time and money.

The light poles can be set up as desired if the route of the trail changes during the season or the following year. Forests, meadows and pastures are not affected because the poles and power lines can easily be removed at the end of the season. Only the screw foundation remains in the ground and does not interfere with mowing the meadows.

Originally designed for use in cross-country trail lighting, the WayLED opens up numerous other possible uses, such as: mobile lighting for walkways or cycle paths, toboggan or curling lanes, lake promenades, access to various events or market festivals or other outdoor events, these can be worryless and safely illuminated with the LED system .

The energy-efficient LED technology protects the environment and safes money of the operator the electricity costs are reduced to a minimum. The LED lights integrated into the poles only need 16 Watt. Nevertheless the light beam effect with about 17 m in both ways is optimally illuminated, so the system fulfills all standards and requirements of the guidelines for sports facilities EN-12193.



Development Approach

Cross-country skiing - the ideal balance in the fresh air after strenuous working hours. Up to now, cross-country skiers were able to illuminate the cross-country trails only with much effort, high energy costs and partly even adventurous constructions. This era is now closing - thanks to WayLED.



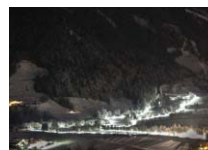
Beam angle / light cone

The environment is illuminated by a light wedge effect of around 15 m (in both directions) and thus fulfills the requirements of the sports facility directive EN-12193. This means that in the lighting class III (school and leisure sports), the average illumination intensity = 3 lx with a uniformity $E_{h10} : E_{h0} = 0.1$.



Quality

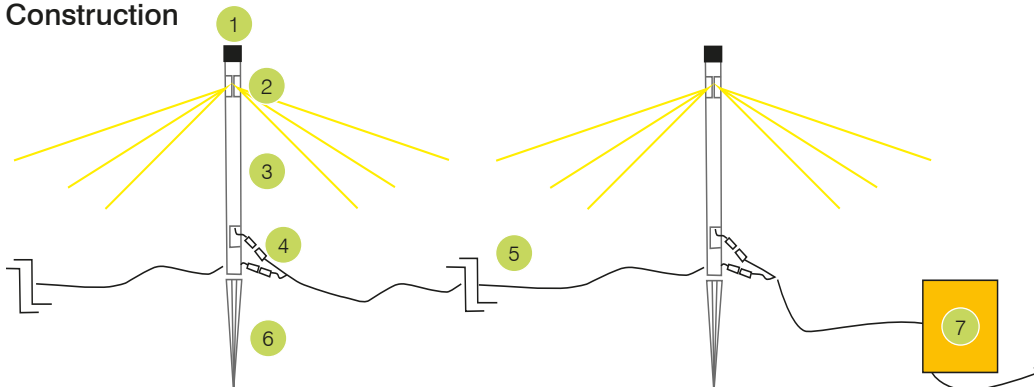
The components are selected according to the highest quality requirements: aluminum mast as well as high-quality cabling, LEDs and electronics from well-known manufacturers.



Range of application

Cross country ski runs, toboggan runs, ice rinks, ski jumps, road and street lighting, lake promenades, access to various events & cultural meetings, and much more.

Construction



- 1 Mast cap
- 2 LED
- 3 LED mast
- 4 Plug connection - waterproof
- 5 230/400V - supply
- 6 Screw foundation
- 7 Switching cabinet, CEE plug 5x16A 400V

10/2022/1.0

WayLED



Product features

No impact on agriculture.

The system can be dismantled and used in the summer with little effort. The flat grounded screw foundation is closed with a lid and remains in the ground. Thus, it is available in the next winter season at any time.

Advantages

- full luminous flux available at all times
- Easy to assemble
- Placement anywhere
- Environmentally friendly
- Energy efficient LEDs

Technical data Mast

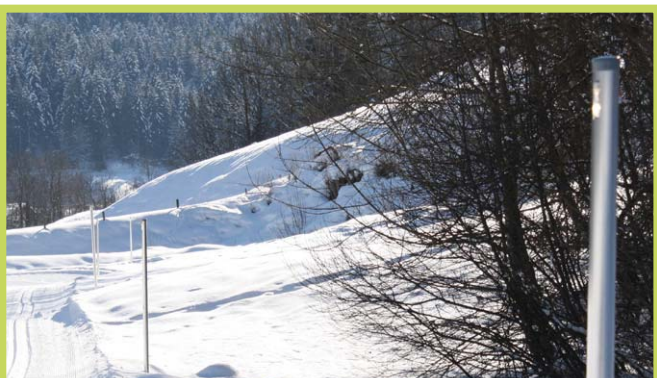
Light	LED use up to 16W max
Operating Voltage	230VAC
Light color	4.000K
Illumination	approx. 17 m in both directions
Housing material / Housing color	aluminium / alu-nature
Mounting	on ground screw socket
Weight	approx. 3.1 kg
Dimensions Ø x H	6 x 350 cm
Type of protection	IP65
Temperature range for operation	-35° to +40°

Technical data screw foundation

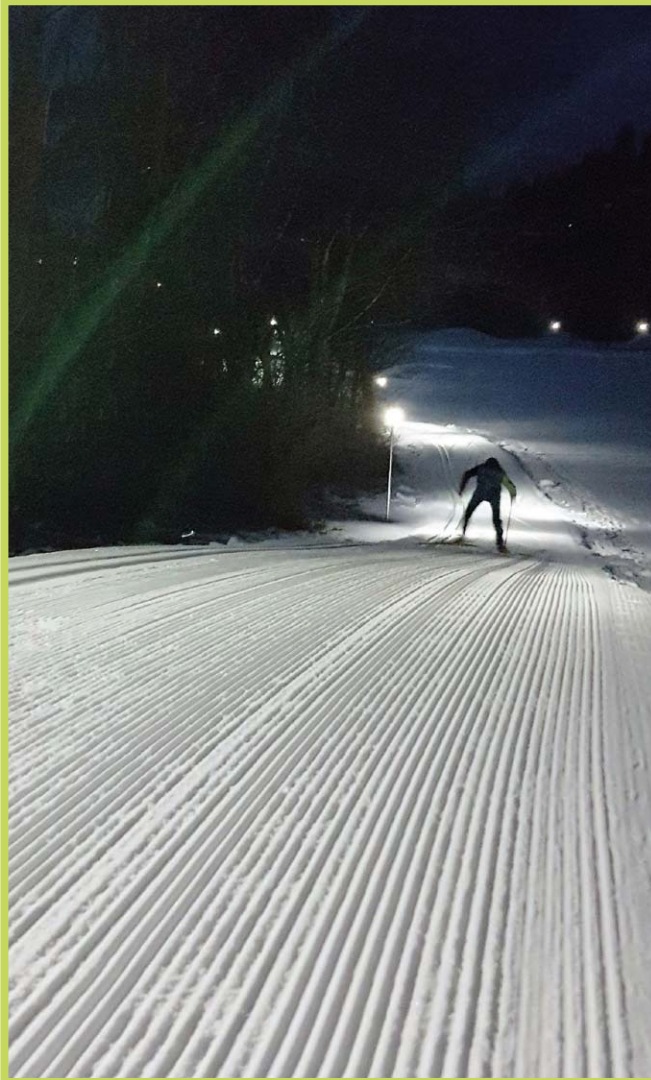
Weight	approx. 1.6 kg
Dimensions Ø x H	6 x 60 cm

Lighting system consisting of		
EDP-No.	Product ID No.	Description
840681	WAYLED.BELEUCHTUNGSMAST.3500.MM.2XLED.16W.4000K	WayLED lighting mast 2x LED 8W, 4.000K, H=3.500 mm, Ø 60 mm, connecting cable with waterproof plug
841032	WAYLED.301656.354540.H07RN-F.1212.301657.WD.L1	Extension WayLED CEE plug/coupling plastic 5x16A 400V, 35 m H07RN-F 5x4 mm ² with retaining plate, L1
841034	WAYLED.301656.354540.H07RN-F.1212.301657.WD.L2	Extension WayLED CEE plug/coupling plastic 5x16A 400V, 35 m H07RN-F 5x4 mm ² with retaining plate, L2
841035	WAYLED.301656.354540.H07RN-F.1212.301657.WD.L3	Extension WayLED CEE plug/coupling plastic 5x16A 400V, 35 m H07RN-F 5x4 mm ² with retaining plate, L3
840637	WAYLED.BODENSCHRAUBFUNDAMENT.600.MM	WayLED ground screw galvanized, with plastic lid, L: 600 mm, Ø 60 mm

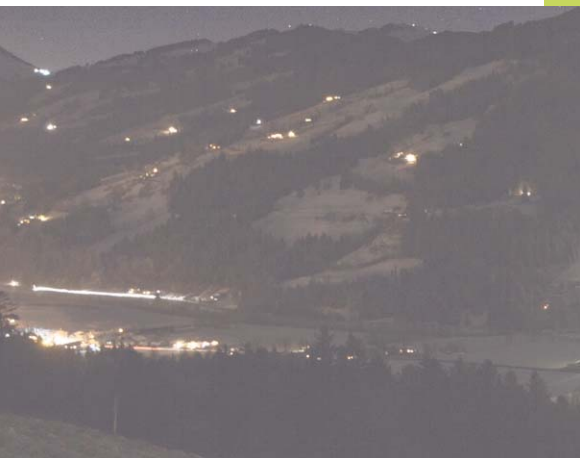
WayLED Path- / cross-country trail lighting



WayLED Path- / cross-country trail lighting



CONTACT US



GIFAS
ELECTRIC

GIFAS ELECTRIC
Gesellschaft m.b.H
Strass 2
5301 Eugendorf
AUSTRIA

 www.gifas.at
 verkauf@gifas.at
 +43 6225/7191-0
 +49 8654/404-2000

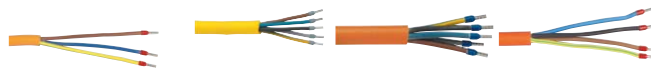
SYSTEMATIC QUALITY

Cables / Hose bridges



Cable and Wires

GIFAS-Thermoflex-cable GIFAS-Proflexx GIFAS-PU-Flex GIFAS-Thermflex-cable



Page 4 - 6

Page 4

Page 5

Page 6

Page 6

Device Connection wires

GIFAS-Thermoflex-cord GIFAS-Proflexx-cord



Page 7

Page 7

Page 7

Special Cables Cable Printing

GIFAS-spiral cable GIFAS grounding / earthing cable GIFAS-crane control cable Cable printing



Page 8 - 9

Page 8

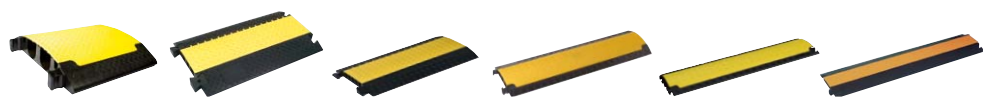
Page 8

Page 9

Page 9

Cable bridges hose bridges

Cable bridge - MEGA Cable bridge - PROTECT Cable bridge - MIDI Cable bridge - PROTECT MINI Cable bridge - MICRO Cable bridge - JUNIOR



Page 10 - 14

Page 10

Page 11

Page 11

Page 12

Page 12

Page 13

Application examples

Application examples



Page 15

Page 15

Cable bridge -
MINI



Page 13

Hose bridge



Page 14

Wires and Cable

Developing new insulating materials for GIFAPLAST, Proflexx, and GIFAS Thermoflex cables enable the product features to be extensively adapted to the user's requirements.

GIFAS PU-, and Proflexx cables with reinforced outer sheaths are compliant as per the GMSuö standard for heavy-duty rubber hose cables and are thus approved for use on building sites and in areas where explosions are possible.

These cables have a very large scope of application due to the use of advanced insulating materials and specialised manufacturing methods.

Cable Printing:

On request we will print the cable.
(see page 9)

Packaging:

Unless otherwise agreed, the cable lengths are finished on 100 m rings or for larger dimensions, they are wound around a one-way cable reel.

Production lengths:

Depending on the manufacturing method, +/- 10% may be oversupplied/undersupplied for lengths of 500 m and over. Guaranteeing that a specific length is supplied requires a supplemental agreement.

Cable bridges and hose bridges

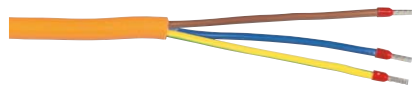
Protect your cable transitions using the GIFAS cable or hose bridge system to avoid accidents and damage.

Ideal for power, gas, water, compressed-air, and hydraulic cables.

These systems tidy up all temporary or permanent sets of cables and make them safe.

The elements can be infinitely extended using integrated or attached connecting plugs.

GIFAS-Thermoflex-cable finest stranded



Highly flexible control cable, low-temperature flexibility on the basis of H05VV-F.

Energy cable as per VDE 0295 and ÖVE/ÖNORM E 8241.

- High flexibility even at low temperatures
- High UV-resistance

Model

Fine-stranded highly flexible copper strands, 0.15 mm, sheer, cores: concentrically single-layer cabled, special outer sheath made of thermoplastic rubber.

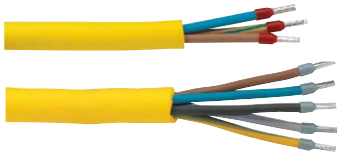
Technical data

Max. tolerable operating voltage	500V
Testing voltage	2.000V
Disruptive discharged voltage	>12.000V
Bending radius	5-times cable diameter
Operating temperature range	in motion: - 20°C to + 80°C at rest: - 35°C to + 80°C

GIFAS-Thermoflex-cable					
EDP No.	Product ID No.	Cross section (mm ²)	Copper no. kg/ 1000 m	Outside Ø (mm)	Weight kg/ 100 m
14831	4210.TH.H	2x1.0	20.0	7.1	6.0
14482	4215.TH.H	2x1.5	30.0	7.7	10.0
15558	4315.TH.H	3x1.5	45.0	8.2	12.0

Free printing of the cable with your company name for orders over 100 m per dimension (see page 9).

GIFAS-Proflexx



Industrial flexible rubber line H07RN-F of very high quality. These cables have been specifically developed for the demands on building and steel construction sites. They are highly resistant to welding beads and sparks. Moreover they offer high flexibility, resistance to oils, greases, acidic and alkaline substances as well as high mechanical and temperature resistance. Highly resistant against breaking and tearing. The cable can be permanently kept under water.

Model

Fine-stranded, flexible copper strands, sheer, VDE tested construction, outer sheath of polychloroprene, free of silicone.

Use

Mobile, unprotected cable for heavy-duty outdoor use (e.g. on building sites etc.). It is also authorised for use in explosion-hazardous areas.

Technical data

Max. tolerable operating voltage 750V
 Testing voltage 2.500V
 Bending radius 4-times cable diameter
 250.000 bending cycles
 Operating temperature range - 30°C to + 85°C

GIFAS-Proflexx-cable					
EDP No.	Product ID No.	Cross section (mm²)	Copper no. kg/ 1000 m	Outside Ø (mm)	Weight kg/ 100 m
53270	4210.GG	2x1.0	20	8.5	9.4
53276	4215.GG	2x1.5	30	9.0	12.0
53341	4225.GG	2x2.5	50	11.0	17.5
11557	4315.GG	3x1.5	45	9.5	15.0
53279	4325.GG	3x2.5	75	12.0	21.5
53283	4415.GG	4x1.5	60	12.0	19.0
72160	4425.GG	4x2.5	100	12.5	27.0
50841	4515.GG	5x1.5	75	12.2	23.0
11666	4525.GG	5x2.5	125	14.5	32.5
53187	4540.GG	5x4.0	200	17.0	47.5
54317	4560.GG	5x6.0	300	19.0	63.0
80527	45100.GG	5x10.0	500	27.2	84.0
50485	45160.GG	5x16.0	800	28.5	153.0

Free printing of the cable with your company name for orders over 100 m per dimension (see page 9).



Solid rubber Schuko-extension					
EDP No.	EDP No. F&B	Product ID No.	Cross section (mm²)	Plug + Coupling	Length
52775	85074	111.10315.GG.211	3x1.5	Schuko	10 m
74063	85076	111.10325.GG.211	3x2.5	Schuko	10 m
65977	85078	111.15315.GG.211	3x1.5	Schuko	15 m
81387	125301	111.15325.GG.211	3x2.5	Schuko	15 m
64919	125302	111.25315.GG.211	3x1.5	Schuko	25 m
61754	85080	111.25325.GG.211	3x2.5	Schuko	25 m
66820	85081	111.50315.GG.211	3x1.5	Schuko	50 m
61755	85084	111.50325.GG.211	3x2.5	Schuko	50 m



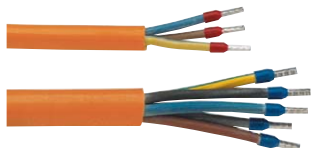
Solid rubber CEE-extension					
EDP No.	Product ID No.	Cross section (mm²)	Plug + Coupling	Length	
77653	301656.15525.GG.57	5x2.5	CEE 5x16A	15 m	
76820	303256.15540.GG.57	5x4.0	CEE 5x32A	15 m	
108366	303256.15560.GG.57	5x6.0	CEE 5x32A	15 m	
61756	301656.25525.GG.57	5x2.5	CEE 5x16A	25 m	
51814	303256.25540.GG.57	5x4.0	CEE 5x32A	25 m	
76337	303256.25560.GG.57	5x6.0	CEE 5x32A	25 m	
61757	301656.50525.GG.57	5x2.5	CEE 5x16A	50 m	
83420	303256.50540.GG.57	5x4.0	CEE 5x32A	50 m	
103904	303256.50560.GG.57	5x6.0	CEE 5x32A	50 m	



Plastic CEE-extension					
EDP No.	Product ID No.	Cross section (mm²)	Plug + Coupling	Length	
108360	301656HG.15525.GG.57	5x2.5	CEE 5x16A	15 m	
108363	303256HG.15540.GG.57	5x4.0	CEE 5x32A	15 m	
108367	303256HG.15560.GG.57	5x6.0	CEE 5x32A	15 m	
108372	306356HG.155160.GG.57.WD	5x16.0	CEE 5x63A	15 m	
108361	301656HG.25525.GG.57	5x2.5	CEE 5x16A	25 m	
108364	303256HG.25540.GG.57	5x4.0	CEE 5x32A	25 m	
108368	303256HG.25560.GG.57	5x6.0	CEE 5x32A	25 m	
108370	306356HG.255160.GG.57.WD	5x16.0	CEE 5x63A	25 m	
108362	301656HG.50525.GG.57	5x2.5	CEE 5x16A	50 m	
108365	303256HG.50540.GG.57	5x4.0	CEE 5x32A	50 m	
108369	303256HG.50560.GG.57	5x6.0	CEE 5x32A	50 m	
108371	306356HG.505160.GG.57.WD	5x16.0	CEE 5x63A	50 m	

Waterproof IP67 design, phase inverter, different lengths, etc. available on request.

GIFAS-PU-Flex



For dry, damp and wet surroundings under mid-level mechanical strain. Good abrasion resistance of the outer sheath. Resistant against fuel and oil, diluted acids and caustics. To be used in building, farming, the chemical industry, sewage treatment plants, paper mills and similar.

- Ozone and weather resistant - excellent tear strength and tear resistance - excellent flexibility - superior mechanical resistance - halogen-free insulation.

Model

Fine stranded, flexible copper strands, rubber insulated cores. VDE tested flame resistant construction outer sheath of polyurethane.

Technical data

Max. tolerable operating voltage	750V
Testing voltage	3.000V
Bending radius	7.5-times cable diameter
Operating temperature range	- 40°C to +90°C

GIFAS-PU-Flex-cable					
EDP No.	Product ID No.	Cross section (mm ²)	Copper no. kg/ 1000 m	Outside Ø (mm ²)	Weight kg/ 100 m
53278	4215.PU.GUIL.H07BQ-F	2x1.5	30	8.5	8.9
53118	4315.PU.GUIL.H07BQ-F	3x1.5	45	9.0	10.9
53282	4325.PU.GUIL.H07BQ-F	3x2.5	75	10.5	15.9
53286	4515.PU.GUIL.H07BQ-F	5x1.5	75	11.0	17.1
53287	4525.PU.GUIL.H07BQ-F	5x2.5	125	13.7	25.0
53292	4540.PU.GUIL.H07BQ-F	5x4.0	200	15.5	40.6
53294	4560.PU.GUIL.H07BQ-F	5x6.0	300	17.5	53.6

Free printing of the cable with your company name for orders over 100 m per dimension (see page 9).



Plastic CEE-extension				
EDP No.	Product ID No.	Cross section (mm ²)	Plug + Coupling	Length
108415	301656HG.15525.PU.57	5x2.5	CEE 5x16A	15 m
108418	303256HG.15540.PU.57	5x4.0	CEE 5x32A	15 m
108421	303256HG.15560.PU.57	5x6.0	CEE 5x32A	15 m
108416	301656HG.25525.PU.57	5x2.5	CEE 5x16A	25 m
108419	303256HG.25540.PU.57	5x4.0	CEE 5x32A	25 m
108422	303256HG.25560.PU.57	5x6.0	CEE 5x32A	25 m
108417	301656HG.50525.PU.57	5x2.5	CEE 5x16A	50 m
108420	303256HG.50540.PU.57	5x4.0	CEE 5x32A	50 m
108423	303256HG.50560.PU.57	5x6.0	CEE 5x32A	50 m

Waterproof IP67 design, phase inverter, different lengths, etc. available upon request.



GIFAS-Thermflex-cable



Highly resistant to chemicals (ozone, oils, fat, many acids and caustics). The high mechanical resistance guarantees a very long serviceable life.

Model

Fine copper strands, bare, under VDE 0295 category 5.

Insulation

Cross-linked polyurethane under VDE 207 part 24 HI 2 flame resistant. Outer sheath of cross-linked polyurethane under VDE 0207 part 24 HM2. Orange outside cover.

Fire performance

Slight fire propagation, Minimal smoke development, Halogen-free, Silicon-free, oil-resistant, flame-resistant

Uses / application areas

As a connecting or interconnecting cable in chemical factories, steel and aluminium plants, paper mills as well as pharmaceutical industry, engineering and automobile industry.

Technical data

Bending radius	10-times cable diameter
Temperature range	in motion: -20°C to +130°C fixed: -35°C to +130°C
Rated voltage	300 / 500V
Testing voltage	3.000V

GIFAS-Thermflex-cable					
EDP No.	Product ID No.	Cross section (mm ²)	Copper no. kg/ 1000 m	Outside Ø (mm ²)	Weight kg/ 100 m
11507	4215.THERMFLEX	2x1.5	30	6.4	8.5
11550	43075.THERMFLEX	3x0.75	22.5	5.9	6.0
11571	4315.THERMFLEX	3x1.5	45	6.8	9.2
27535	4325.THERMFLEX	3x2.5	75	8.3	15.3
11616	4415.THERMFLEX	4x1.5	60	7.6	11.5
11629	4425.THERMFLEX	4x2.5	100	9.2	18.5
11655	4515.THERMFLEX	5x1.5	75	8.3	15.0
11671	4525.THERMFLEX	5x2.5	125	10.1	23.0
26989	4715.THERMFLEX	7x1.5	105	10.0	23.5

Free printing of the cable with your company name for orders over 100 m per dimension (see page 9).

GIFAS-Thermoflex-cord



Model

Thermoflex cable especially fine stranded, highly flexible wires. With non-rewireable contour or Schuko plug 16A 230V with double earthing system.

On the other end the insulation is 50 mm stripped and the leads are equipped with end sleeves.

Thermoflex-Device connection cable				
EDP No.	Product ID No.	Cross section (mm ²)	Plug	Length
25314	K.3.4210.TH.H	2x1.0	contour plug 16A 230V for protected double insulated appliances	3 m
25320	K.5.4210.TH.H	2x1.0		5 m
25313	K.10.4210.TH.H	2x1.0		10 m
25335	K.3.4215.TH.H	2x1.5	contour plug 16A 230V for protected double insulated appliances	3 m
25348	K.5.4215.TH.H	2x1.5		5 m
25328	K.10.4215.TH.H	2x1.5		10 m
25360	S.3.4315.TH.H	3x1.5	Schuko plug 16A 230V	3 m
25361	S.5.4315.TH.H	3x1.5		5 m
25316	S.10.4315.TH.H	3x1.5		10 m

For orders of 25 pieces or more we print your company's name on the cords.(see page 9).

GIFAS-Proflexx-cord



Model

Proflexx cables with round pin attachment plug or Schuko plug 26A 230V, unilaterally fed, splash-proof and with a double earthing protection system.

On the other end the insulation is 50 mm stripped and the leads are equipped with end sleeves.

Proflexx-Device connection cable				
EDV-Nr.	Product ID No.	Cross section (mm ²)	Plug	Length
50654	K.3.4210.GG	2x1.0	contour plug 16A 230V for protected double insulated appliances	3 m
50655	K.5.4210.GG	2x1.0		5 m
50656	K.10.4210.GG	2x1.0		10 m
50657	K.3.4215.GG	2x1.5	contour plug 16A 230V for protected double insulated appliances	3 m
50658	K.5.4215.GG	2x1.5		5 m
50659	K.10.4215.GG	2x1.5		10 m
50660	S.3.4315.GG	3x1.5	Schuko plug 16A 230V	3 m
50661	S.5.4315.GG	3x1.5		5 m
50662	S.10.4315.GG	3x1.5		10 m

For orders of 25 pieces or more we print your company's name on the cords.(see page 9).



The GIFAS device connection cabling and the accompanying GIFAS built-in plug sockets, plugged, IPX4.

As per standard DIN VDE 0100 and ÖVE/ÖNORM E 8001, building sites, temporary appliances, damp and wet rooms, agricultural facilities, outdoor facilities, marinas, swimming baths and similar areas etc.

GIFAS-spiral cable



Model

Spiral cable with 200 mm straight ends on both sides, 40 mm stripped leads with end sleeves for strands.

Outer sheath: Polyurethane
Lead insulation: PVC

Technical data

Temperature range -30°C to +80°C
Rated voltage 300 / 500V to 1.0 mm²
450 / 750V from 1.5 mm²
Testing voltage: 3.000V

GIFAS-spiral cable

EDP No.	Product ID No.	Cross section (mm ²)	Spiral-length	Stretched length appr.	Color of outside covering
10455	SPK.0,9.4210	2x1.0	0.9 m	3.0 m	black
10477	SPK.0,6.4215	2x1.5	0.6 m	2.0 m	yellow
10458	SPK.0,9.4315	3x1.5	0.9 m	3.0 m	black
10451	SPK.0,6.44075	4x0.75	0.6 m	2.0 m	black
20156	SPK.0,5.4515	5x1.5	0.5 m	4.0 m	yellow

GIFAS-sided spiral cable with molded angle plug

EDP No.	Product ID No.	Cross section (mm ²)	Spiral-length	Stretched length appr.	Color of outside covering
10456	SPK.0,9.4210.WS	2x1.0	0.9 m	3.0 m	black
10459	SPK.0,9.4315.WS	3x1.5	0.9 m	3.0 m	black

Other dimensions and lengths on request.

GIFAS-Spiral cable grounding / earthing cable



Special features

The outer sheath (green/yellow) of the GIFAS-Spiral cable grounding is made of Polyether-Polyurethane. Thus it contains no Cadmium, FCKW, Halogen or Silicone. The outer sheath is oil resistant acc. to VDE 0472 part 803, seawater-resistant, shatterproof and impact-resistant, termite-resistant, ozone-resistant and to a great extent resistant against acids, caustics and solvents.

Special characteristics are low weight as well as resistance against temperature and corrosion. The wire is characterised by its resistance against shock and impact at high and low temperatures and a good resistance against pressure despite a relatively thin coating.

Application

- control-, measuring and laboratory engineering – chemical industry
- medicine and electrical engineering – automobile industry – apparatus engineering – pneumatic and hydraulic industry – foodstuff industry

Technical data

Temperature range -40°C to +80°C (short-time +100°C)
Operating voltage 1.000V
Testing voltage 3.500V
Strand structure finest stranded, category 6
Single conductor EL Cu 58 F 21 blank soft
Conductor resistance in accordance with DIN VDE 0295, IEC 60228
Cable diameter 10 mm
Spiral length approx. 600 mm
Stretched length approx. 5000 mm

GIFAS-Earthing cable Chromium plated

EDP No.	Product ID No.	Cross section (mm ²)
74614	SPK.ERD.5M.4160.GN.GE.608.KS.M8	6
74613	SPK.ERD.5M.4160.GN.GE.2x608	6
74618	SPK.ERD.5M.41100.GN.GE.608.KS.M8	10
74615	SPK.ERD.5M.41100.GN.GE.2x608	10

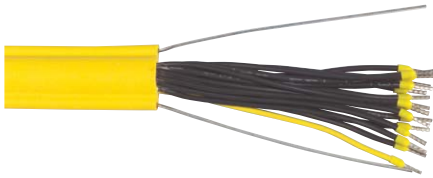
GIFAS-Earthing cable stainless steel

EDP No.	Product ID No.	Cross section (mm ²)
77971	SPK.ERD.5M.4160.GN.GE.608.INOX.KS.M8	6
75849	SPK.ERD.5M.4160.GN.GE.2X608.INOX	6
75848	SPK.ERD.5M.41100.GN.GE.608.INOX.KS.M8	10
77972	SPK.ERD.5M.41100.GN.GE.2X608.INOX	10

GIFAS-Earthing cable (sold by the metre)

EDP No.	Product ID No.	Cross section (mm ²)	Copper no. kg/ 1000 m
106306	41160.GN/GE	16.0	160

GIFAS-crane control cable



Crane and lift control cables

PVC outer sheath also flexible at low temperatures with two supporting steel wires which are integrated in the covering.

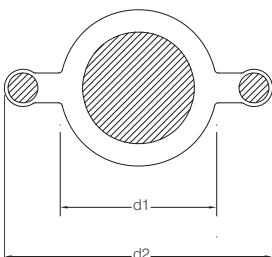
Application

- For control- and pushbuttons on cranes and conveyors
- Steel plants
- As freely suspended wires
- On high bay racks

Technical data

Lead identification	uni colored, continuously numbered according to VDE 0293, with earthing conductor
Temperature range	in motion: - 30°C to + 70°C
Temperature range	at rest: - 40°C to + 70°C
Bending radius	forward-backward bending 12x cable diameter
Maximum tolerable operating voltage	500V
Testing voltage	3000V
Insulating resistance	min. 20MΩ
Carrying capacity	up to 135kg absolutely safe, the critical point is 190 kg (own weight of the cable must be considered)

GIFAS-crane control cable					
EDP No.	Product ID No.	Cross section (mm ²)	Copper no. kg/ 1000 m	Outside Ø (mm) d1 d2	Weight kg/ 100 m
44532	41810.2TY	18x1.0	180	17.0 / 32.0	52.8
44534	42510.2TY	25x1.0	250	21.0 / 36.0	66.0



CE

Cable Printing



Bulk Cables printing options

We print your cable free when you order a minimum quantity of 100 m per dimension:

- Company name
- Metering
- Harmonised cable type identification (e.g. H07RN-F 5G2.5).

For an additional charge we can print your cable from an order of 100 m per dimension also:

- Company Logo (the customer is able to preview the print in, black / white, jpg format, at least 100 dpi)
- Inventory Number
- Bar code

Device-connector sets printing options

For an additional charge we can print your with an order of at least 25 pieces per dimension, when purchased with cables:

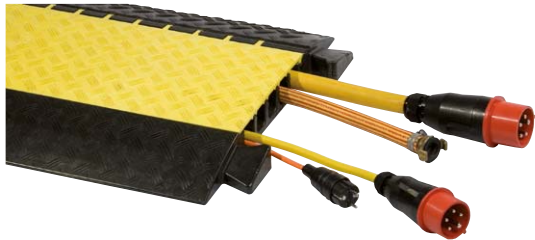
- Company Name
- Harmonised cable type identification (e.g. H07RN-F 5G2.5).
- Company Logo (the customer is able to preview the print in, black / white, jpg format, at least 100 dpi)
- Inventory Number
- Bar code

Advantages

- No confusion
- Theft protection
- Easy to trim
- Cable length is checked
- Clearly classified in accordance with standard ÖVE/ÖNORM E 8701 and DIN VDE 0701 / 0702.

Cable Printing		
EDP No.	Product ID No.	Description
104564	INKJET.AUFD RUCK.LOGO	Black print, customer logo on presentation
104565	INKJET.AUFD RUCK. INVENTARNUMMER	Black print, Inventory number after submission
104566	INKJET.AUFD RUCK.BAR-CODE	Black print, Barcode after submission

Cable bridges and hose bridge



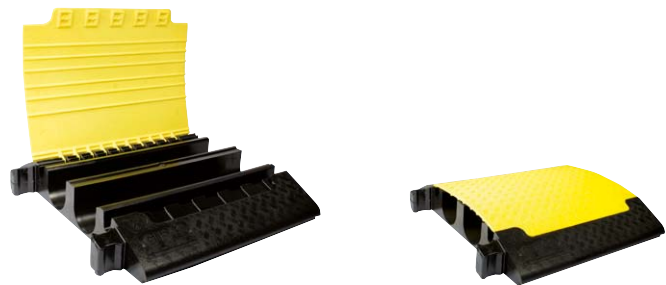
The main assets at a glance

- Easy installation due to plug-in system
- Versatile in use
- Endlessly extendable
- Easy to retrofit
- Unbreakable
- Highly loadable
- Abrasion proof
- Non-slipping
- Insulating
- Temperature resistant
- Weather resistant
- Resistant against solvents, fuel, oil and salt resistant
- Longevity

GIFAS-Cable bridges hose bridges to be used everywhere and for every purpose

- building sites
- streets
- boardwalks
- public areas
- entertainment districts
- showman
- fairgrounds
- concert halls
- festivity- and sports grounds
- open-air events
- radio, film and television
- production facilities
- company areas
- airports
- ports
- disaster operations
- military
- fire department
- and much more

Cable bridge - MEGA

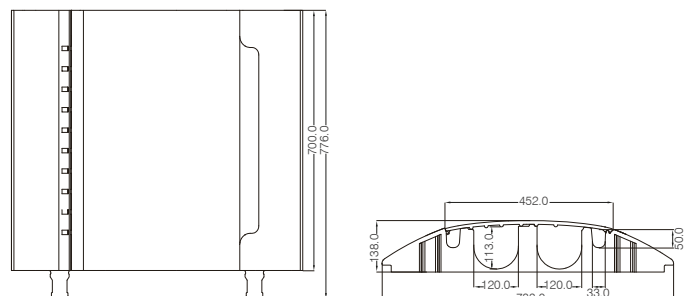


Technical data

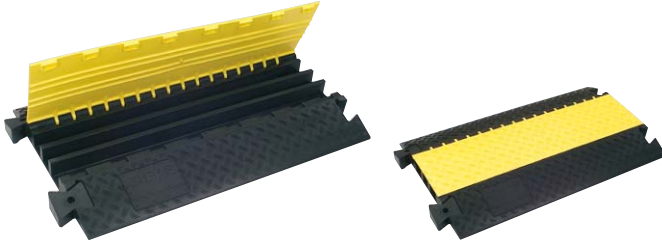
Material under part / upper part	Polyurethane (black) / Polyethylene (yellow)
Cable channels	Number: 4 channels Width: 33 / 120 / 120 / 33 mm Height: 50 / 113 / 113 / 50 mm
Dimensions L x W x H	700 x 783 x 139 mm
Weight	approx. 30.5 kg
Loading pressure	to 6 t / 400 cm ²
Fire resistance	in accordance with DIN 4102 – B2

Cable bridge - MEGA

EDP No.	Product ID No.
81902	KABELBRÜCKE.750.700.145.MEGA



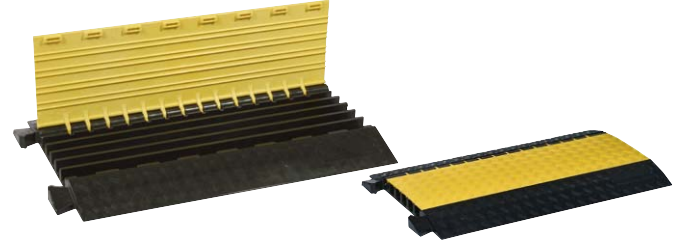
Cable bridge - PROTECT



Technical data

Material under part / upper part	Polyurethane (black) / Polyethylene (yellow)
Cable channels	Number: 3 channels Width: 53 / 46 / 58 mm Height: 50 mm
Dimensions L x W x H	1000 x 600 x 75 mm
Weight	approx. 22 kg
Loading pressure	5 t / 400 cm ²
Fire resistance	in accordance with DIN 4102 – B2

Cable bridge - MIDI



Technical data

Material under part / upper part	Polyurethane (black) / Polyethylene (yellow)
Cable channels	Number: 5 channels Width: 35 mm Height: 36 mm
Dimensions L x W x H	870 x 535 x 55 mm
Weight	approx. 12 kg
Loading pressure	to 5 t / 400 cm ²
Fire resistance	in accordance with DIN 4102 – B2

Cable bridges - PROTECT

EDP No.	Product ID No.
67898	KABELBRÜCKE.1000.600.75.PROTECT Cable bridges including 2 connecting pins

Cable bridges - MIDI

EDP No.	Product ID No.
72205	KABELBRÜCKE.870.542.52.MIDI

PROTECT Cable bridge accessories

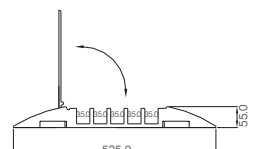
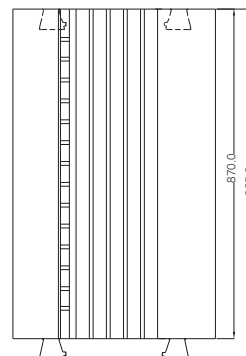
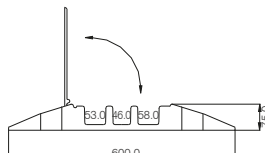
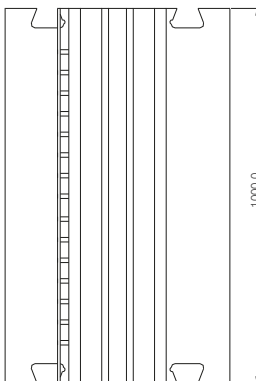


End ramp with cable outlet
– reducing hazard of tripping

connecting plugs
(1 pair as spare part)

Accessories Cable bridges - PROTECT

EDP No.	Product ID No.
67899	KABELBRÜCKE.ENDSTÜCK.PROTECT
67940	KABELBRÜCKE.VERBINDUNGSZAPFEN.GIFAS.1P



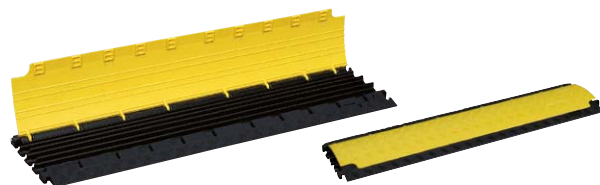
Cable bridge - PROTECT MINI



Technical data

Material under part / upper part	Polyurethane (black) / Polyethylene (yellow)
Cable channels	Number: 3 channels Width: 35 mm Height: 30 / 30 / 30 mm
Dimensions L x W x H	1000 x 290 x 48 mm
Weight	approx. 6 kg
Loading pressure	to 2 t / 400 cm ²
Fire resistance	in accordance with DIN 4102 – B2

Cable bridge - MICRO

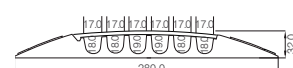
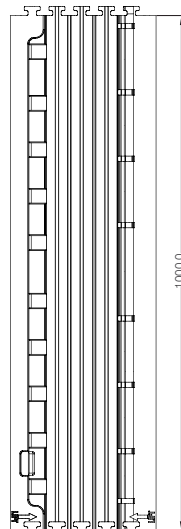
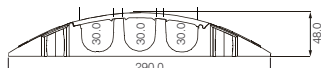
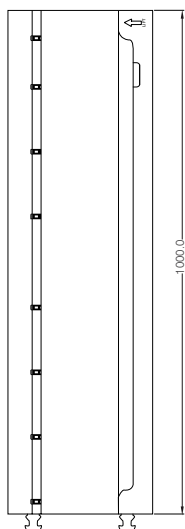


Technical data

Material under part / upper part	Polyurethane (black) / Polyethylene (yellow)
Cable channels	Number: 6 channels Width: 17 mm Height: 18 / 18 / 19 / 19 / 18 / 18 mm
Dimensions L x W x H	1000 x 280 x 32 mm
Weight	approx. 4.4 kg
Loading pressure	to 2 t / 400 cm ²
Fire resistance	in accordance with DIN 4102 – B2

Cable bridge - Protect MINI	
EDP No.	Product ID No.
86042	KABELBRÜCKE.1000.290.48.PROTECT.MINI

Cable bridge - MICRO	
EDP No.	Product ID No.
89207	KABELBRÜCKE.1000.280.32.MICRO



Cable bridge - JUNIOR

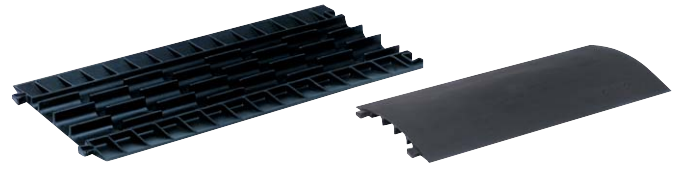


Technical data

Material under part / cover Polyurethane / ABS
 Cable channels Number: 3 channels
 Width: 17 / 23 / 17 mm
 Height: 24 mm
 Dimensions L x W x H 1000 x 250 x 34 mm
 Weight approx. 2.4 kg
 Loading pressure to 680 kg / 400 cm²
 Fire resistance class 1 UNI 9174 und UNI 8457

Cable bridge - JUNIOR	
EDP No.	Product ID No.
61677	KABELBRÜCKE.1000.250.3.JUNIOR

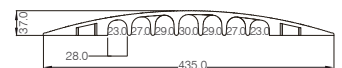
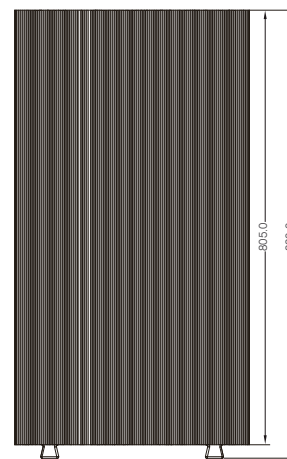
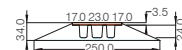
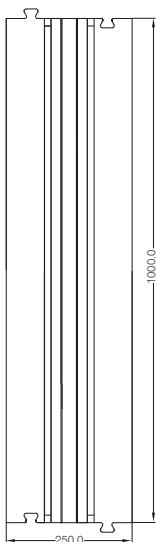
Cable bridge - MINI



Technical data

Material thermoplastic Polyurethane
 Cable channels Number: 7 channels
 Width: 28 mm
 Height: 23 / 27 / 29 / 30 / 29 / 27 / 23
 Dimensions L x W x H 805 x 435 x 37 mm
 Weight approx. 3.5 kg
 Loading pressure Pedestrians and Bicycles

Cable bridge - MINI	
EDP No.	Product ID No.
72948	KABELBRÜCKE.800.435.40.MINI



Hose bridge



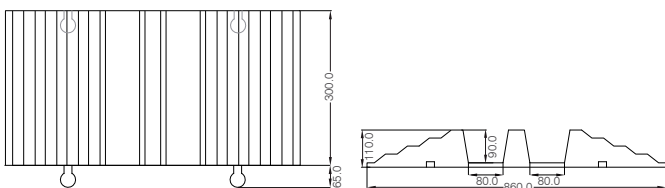
Technical data

Material	hard rubber
Cable channels	Number: 2 channels Width: 80 mm Height: 90 mm
Dimensions L x W x H	860 x 300 x 110 mm
Weight	approx. 11 kg
Loading pressure	40 t
Model	similar DIN 14820
Angle of gradient	approx. 15°

For fire brigades for laying out B and C hoses.

Hose bridges

EDP No.	Product ID No.
45466	SCHLAUCHBRÜCKE.865X307MM Hose bridge set = 2 pieces



Application examples / Customer Solutions



CONTACT US



GIFAS
ELECTRIC

GIFAS ELECTRIC
Gesellschaft m.b.H
Strass 2
5301 Eugendorf
AUSTRIA

🌐 www.gifas.at
✉ verkauf@gifas.at
☎ +43 6225/7191-0
☎ +49 8654/404-2000

SYSTEMATIC QUALITY

Cable reels
Spring-operated cable reels
Hose rewinders



Standard Solid rubber cable reels

Pages 6 - 13

Series 501



Page 6

Series 501 Equipotential bonding



Page 7

Series 502



Page 8

Series 502 personal protection



Page 9

Series 502 with LED spotlights



Page 10

Series 502 low voltage



Page 11

Standard cable reels plastic and sheet steel

Pages 14 - 15

Series 504



Page 14

Series 505



Page 15

Spring-operated cable reels

Pages 18 - 23

Series 520



Page 18

Series 523



Page 19

Series 524



Page 20

Series 525



Page 21

Series 525 accessories



Page 22 - 23

Hose Reels air and water

Pages 24 - 28

Series 580



Page 24

Series 584



Page 25

Series 587



Page 26

Series 588



Page 27

Series 589



Page 28

Application examples

Cable reels



Page 31

Spring-operated cable reels / Hose Reels



Page 31

Series 503



Page 12

Series 518



Page 13

GIFAS-Cable reels

GIFAS cable reels are manufactured using solid rubber material / sheet steel. The perfect construction and excellent technique of these cable reels are responsible for their reliability and long lifetime. The robust model makes them particularly well-suited for use in industry and trade.

They are manufactured in accordance with following regulations:

- for household plugs:
in accordance with ÖVE/ÖNORM EN 61242
DIN EN 61242
- for industry plugs:
in accordance with ÖVE/ÖNORM EN 61316
DIN EN 61316



Feuer!



Batteriekasten

Series 501



Technical specifications

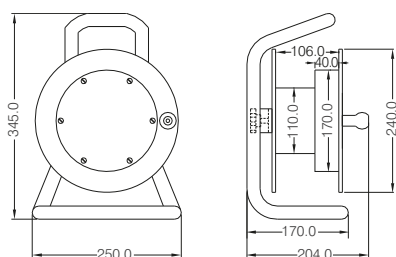
- Robust, halogen-free reel body made of vulcanized butyl rubber, fully insulated
- Solid tubular steel frame, powder-coated
- High mechanical strength, UV- and weather-resistant
- Resistant to oils, acids and alkalis
- Maintenance-free, impact-resistant, resistant to ageing
- Integrated brake, which acts directly on the roller-bearing axle, but does not rub against the roller itself
- All sockets can be replaced individually
- With overheating protection as standard
- Weight without cable approx. 3.7 kg

Series 501, 230V with overheating protection

EDP No.	EDP No. F&B	Product ID No.	Solid rubber plug	Cable length	Dimension / cable Type	Equipment	
55281	83691	501120315.GG.Ü	Schuko plug 16A 230V	20 m	3x1.5 mm ² Proflexx	3/Schuko sockets 16A 230V	
60103	82735	501125315.GG.Ü	Schuko plug 16A 230V	25 m	3x1.5 mm ² Proflexx	3/Schuko sockets 16A 230V	

Design the optimum solution for your requirements with our engineers.

Free engraving on the roller flange and free printing of the cable with your company name for orders over 100 m per dimension.



Series 501
Auxiliary potential-equalizing cable reel



Technical specifications

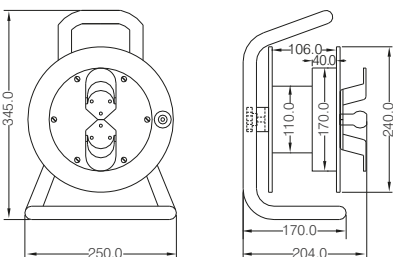
- Robust, halogen-free reel body made of vulcanized butyl rubber, fully insulated
- Solid tubular steel frame, powder-coated
- High mechanical strength, UV- and weather-resistant
- Resistant to oils, acids and alkalis
- Maintenance-free, impact-resistant, resistant to ageing
- Integrated brake, which acts directly on the roller-bearing axle, but does not rub against the roller itself
- Weight without cable approx. 3.7 kg

Series 501, Auxiliary equipotential bonding cable reel

EDP No.	Product ID No.	Series
52393	501.33YF16GG.608.HASPEL.ERDUNG	with 30 m YF-cord fine stranded wire (yellow-green) 16.0 mm ² , with earthing tongs on reel and 3 m YF-cord fine stranded wire (yellow-green) 16.0 mm ² with hook cable lug on hasp
52394	501.48YF16GG.608.HASPEL.ERDUNG	with 45 m YF-cord fine stranded wire (yellow-green) 16.0 mm ² , with earthing tongs on reel and 3 m YF-cord fine stranded wire (yellow-green) 16.0 mm ² with hook cable lug on hasp

Design the optimum solution for your requirements with our engineers.

Free engraving on roller flange.



Series 502



Technical specifications

- Robust, halogen-free reel body made of vulcanized butyl rubber, fully insulated
- Solid tubular steel frame, powder-coated
- High mechanical strength, UV- and weather-resistant
- Resistant to oils, acids and alkalis
- Maintenance-free, impact-resistant, resistant to ageing
- Integrated brake, which acts directly on the roller-bearing axle, but does not rub against the roller itself
- All sockets can be replaced individually
- With overheating protection as standard
- Weight without cable approx. 4.3 kg

Series 502, 230V with overheating protection

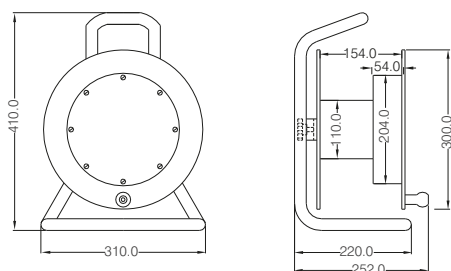
EDP No.	EDP No. F&B	Product ID No.	Solid rubber plug	Cable length	Dimension / cabel	Equipment	
54073	85198	502140315.GG.Ü	Schuko plug 16A 230V	40 m	3x1.5 mm ² Proflexx	3/Schuko sockets 16A 230V	
83736	107881	502140315.GG.WD. IP68.Ü	Schuko plug 16A 230V tight against water pressure	40 m	3x1.5 mm ² Proflexx	3/Schuko sockets 16A 230V tight against water pressure	
72489		502340325.GG.Ü	CEE-plug 3x16A 230V	40 m	3x2.5 mm ² Proflexx	2/CEE-sockets 3x16A 230V	

Series 502, 230/400V with overheating protection

EDP No.	EDP No. F&B	Product ID No.	Solid rubber plug	Cable length	Dimension / cabel	Equipment	
72481	85202	502835525.GG.Ü	CEE-plug 5x16A 400V	35 m	5x2.5 mm ² Proflexx	1/CEE-socket 5x16A 400V 1/Schuko socket 16A 230V	
61410	85205	502935525.GG.Ü	CEE-plug 5x16A 400V	35 m	5x2.5 mm ² Proflexx	1/CEE-socket 5x16A 400V 2/Schuko sockets 16A 230V	
72482	85209	5021035525.GG.Ü	CEE-plug 5x16A 400V	35 m	5x2.5 mm ² Proflexx	1/CEE-socket 5x16A 400V 3/Schuko sockets 16A 230V	
72484		502635525.GG.Ü	CEE-plug 5x16A 400V	35 m	5x2.5 mm ² Proflexx	2/CEE-sockets 5x16A 400V	

Design the optimum solution for your requirements with our engineers.

Free engraving on roller flange and free printing of the cable with your company name for orders over than 100 m per dimension.



Series 502 with and without RCD



Technical specifications

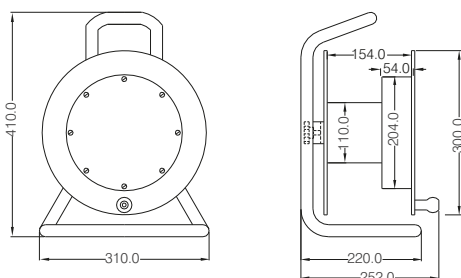
- Robust, halogen-free reel body made of vulcanized butyl rubber, fully insulated
- Solid tubular steel frame, powder-coated
- High mechanical strength, UV- and weather-resistant
- Resistant to oils, acids and alkalis
- Maintenance-free, impact-resistant, resistant to ageing
- Integrated brake, which acts directly on the roller-bearing axle, but does not rub against the roller itself
- All sockets can be replaced individually
- Cable reel for coiling up the 2-metre long connection cable
- With overheating protection as standard
- Weight without cable approx. 4.3 kg

Series 502, with RCD 30 mA							
EDP No.	EDP No. F&B	Product ID No.	Plug / coupling	Cable length	Dimension / cabel	Equipment	
63551	85216	502.24.30315. GG.HASPEL.Ü	Schuko plug 16A 230V Solid rubber triple coupling 16A 230V	30 m	3x1.5 mm ² Proflexx	1/Schuko plug 16A 230V 1/RCD 25/0.03/2P type A	

Series 502, without RCD							
EDP No.	EDP No. F&B	Product ID No.	Plug / coupling	Cable length	Dimension / cabel	Equipment	
83750	85213	5023130315. GG.HASPEL.Ü	Schuko plug 16A 230V Solid rubber triple coupling 16A 230V	30 m	3x1.5 mm ² Proflexx	1/Schuko plug 16A 230V	

Design the optimum solution for your requirements with our engineers.

Free engraving on roller flange and free printing of the cable with your company name for orders over 100 m per dimension.



Series 502 with LED flood light



Technical specifications

- Robust, halogen-free reel body made of vulcanized butyl rubber, fully insulated
- Solid tubular steel frame, powder-coated
- High mechanical strength, UV- and weather-resistant
- Resistant to oils, acids and alkalis
- Maintenance-free, impact-resistant, resistant to ageing
- Integrated brake, which acts directly on the roller-bearing axle, but does not rub against the roller itself
- All sockets can be replaced individually
- With overheating protection as standard
- Weight without cable approx. 4.3 kg
- Small LED flood light 17W, 2.000lm, coolwhite (6.500K)
- Flood light swiveling, switchable

Series 502, 230V with overheating protection

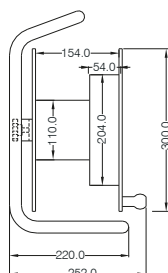
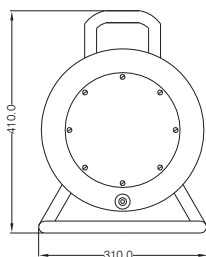
EDP No.	EDP No. F&B	Product ID No.	Solid rubber plug	Cable length	Dimension / cabel	Equipment	
110593	117010	5024740315.ILED.GG.Ü	Schuko plug 16A 230V	40m	3x1.5 mm ² Proflexx	3/Schuko sockets 16A 230V ILED 5.17.FLOOD	
110732	117012	5024750315.ILED.GG.Ü	Schuko plug 16A 230V	50m	3x1.5 mm ² Proflexx	3/Schuko sockets 16A 230V ILED 5.17.FLOOD	

Series 502, 400V/ 230V with overheating protection

EDP No.	EDP No. F&B	Product ID No.	Solid rubber plug	Cable length	Dimension / cabel	Equipment	
110737	117015	5024835525.ILED.GG.Ü	CEE-plug 16A 400V	35m	5x2.5 mm ² Proflexx	1/Schuko socket 16A 230V 1/CEE 5x16A 400V ILED 5.17.FLOOD	

Design the optimum solution for your requirements with our engineers.

Free engraving on roller flange and free printing of the cable with your company name for orders over than 100 m per dimension.



Series 502 - low voltage



Technical specifications

- Robust, halogen-free reel body made of vulcanized butyl rubber, fully insulated
- Solid tubular steel frame, powder-coated
- High mechanical strength, UV- and weather-resistant
- Resistant to oils, acids and alkalis
- Maintenance-free, impact-resistant, resistant to ageing
- Integrated brake, which acts directly on the roller-bearing axle, but does not rub against the roller itself
- All sockets can be replaced individually
- With overheating protection as standard
- Weight without cable approx. 4.3 kg

Series 502, 24V with overheating protection

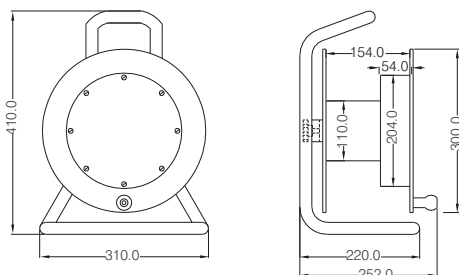
EDP No.	Product ID No.	Solid rubber plug	Cable length	Dimension / cabel	Equipment	
52397	50222230225.Ü	CEE-plug 2x16A 24V	30 m	2x2.5 mm ² Proflexx	3/CEE-sockets 2x16A 24V	
52398	50222240225.Ü	CEE-plug 2x16A 24V	40 m	2x2.5 mm ² Proflexx		
52399	50222240240.Ü	CEE-plug 2x16A 24V	40 m	2x4.0 mm ² H07RN-F		

Series 502, 42V with overheating protection

EDP No.	Product ID No.	Solid rubber plug	Cable length	Dimension / cabel	Equipment	
52402	50244430225.Ü	CEE-plug 2x16A 42V	30 m	2x2.5 mm ² Proflexx	3/CEE-sockets 2x16A 42V	
52403	50244440225.Ü	CEE-plug 2x16A 42V	40 m	2x2.5 mm ² Proflexx		
52404	50244440240.Ü	CEE-plug 2x16A 42V	40 m	2x4.0 mm ² H07RN-F		

Design the optimum solution for your requirements with our engineers

Free engraving on roller flange and free printing of the cable with your company name for orders over 100 m per dimension.



Series 503



Technical specifications

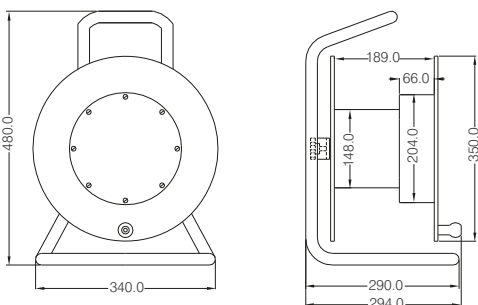
- Robust, halogen-free reel body made of vulcanized butyl rubber, fully insulated
- Solid tubular steel frame, powder-coated
- High mechanical strength, UV- and weather-resistant
- Resistant to oils, acids and alkalis
- Maintenance-free, impact-resistant, resistant to ageing
- Integrated brake, which acts directly on the roller-bearing axle, but does not rub against the roller itself
- All sockets can be replaced individually
- With overheating protection as standard
- Weight without cable approx. 6.15 kg

Series 503, 230/400V with overheating protection

EDP No.	EDP No. F&B	Product ID No.	Solid rubber plug	Cable length	Dimension / cabel	Equipment	
72492	85219	503160325.GG.Ü	Schuko plug 16A 230V	60 m	3x2.5 mm ² Proflexx	3/Schuko sockets 16A 230V	
72493	85222	503860525.GG.Ü	CEE-plug 5x16A 400V	60 m	5x2.5 mm ² Proflexx	1/CEE-socket 5x16A 400V 1/Schuko socket 16A 230V	
72495	85226	503960525.GG.Ü	CEE-plug 5x16A 400V	60 m	5x2.5 mm ² Proflexx	1/CEE-socket 5x16A 400V 2/Schuko sockets 16A 230V	
72497	85229	5031060525.GG.Ü	CEE-plug 5x16A 400V	60 m	5x2.5 mm ² Proflexx	1/CEE-socket 5x16A 400V 3/Schuko sockets 16A 230V	
72499		503660525.GG.Ü	CEE-plug 5x16A 400V	60 m	5x2.5 mm ² Proflexx	2/CEE-sockets 5x16A 400V	
72501	85233	5031330560.GG.Ü	CEE-plug 5x32A 400V	30 m	5x6.0 mm ² Proflexx	1/CEE-socket 5x32A 400V 1/Schuko sockets 16A 230V 1/MCB 1pol. 16A	
72502		503730560.GG.Ü	CEE-plug 5x32A 400V	30 m	5x6.0 mm ² Proflexx	2/CEE-sockets 5x32A 400V	

Design the optimum solution for your requirements with our engineers

Free engraving on roller flange and free printing of the cable with your company name for orders over 100 m per dimension.



**Series 518
with rotating auxiliary reel**



Technical specifications

- Standard built-in overheating protector
- Strong metal pedestal
- Tensile relief fixed and integrated in the reel body
- Hinged crank handle which can be used as uncoiling stop
- Handle covered with insulating material
- Earthing connection double protected
- Dimensions according to DIN 14680 - fitting to all holding devices
- Body reel and auxiliary reel: each made in one piece
- Weight without cable reel approx. 11 kg

Excellent for:

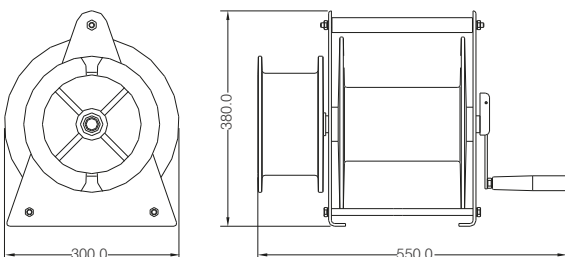
Disaster auxiliary services, Fire rescue forces (EX- model, TÜV- and ATEX-tested see chapter on EX Product range), Army, Rescue services, Construction enterprises, Industry, etc.

Series 518, 230/400V with overheating protection

EDP No.	EDP No. F&B	Product ID No.	Solid rubber plug or coupling	Cable length main reel	Cable length auxiliary reel	Dimension / cabel
72879	85236	51850315.GG.Ü	Schuko plug/coupling 16A 230V	45 m	5 m	3x1.5 mm ² Proflexx
72880	85238	51850325.GG.Ü	Schuko plug/coupling 16A 230V	45 m	5 m	3x2.5 mm ² Proflexx
72881		51850525.GG.Ü	CEE-plug/coupling 5x16A 400V	45 m	5 m	5x2.5 mm ² Proflexx

Design the optimum solution for your requirements with our engineers.

Free engraving on roller flange and free printing of the cable with your company name for orders over 100 m per dimension.



Series 504



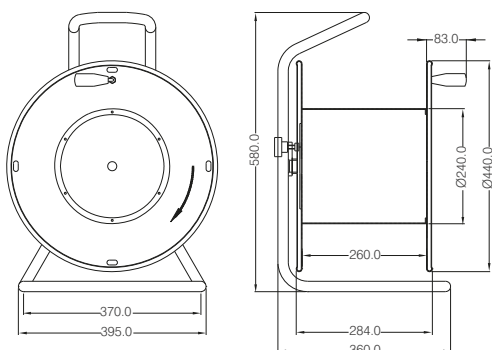
Technical specifications

- Bearer frame and roller, made of powder-coated steel tubing
- Shaft and internal pipe made of steel
- Comfortable to wear
- Equipped with overheating protection
- Standard color RAL 3020 (traffic red)
- Weight without cable reel approx. 11 kg

Series 504, with overheating protection							
EDP No.	EDP No. F&B	Product ID No.	Solid rubber plug	Cable length	Dimension / cabel	Equipment	
72814	85245	504.1.2.80525.GG.Ü	CEE-Stecker 5x16A 400V	80 m	5x2,5 mm ² Proflexx	1/CEE-socket 5x16A 400V	
72815	85247	504.1.2.80540.GG.Ü	CEE-Stecker 5x16A 400V	80 m	5x4,0 mm ² Proflexx	2/Schuko sockets 16A 230V	
72816		504.11.80525.GG.Ü	CEE-Stecker 5x16A 400V	80 m	5x2,5 mm ² Proflexx	2/CEE-sockets 5x16A 400V	
72817		504.11.80540.GG.Ü	CEE-Stecker 5x16A 400V	80 m	5x4,0 mm ² Proflexx		
72818		504.33.50560.GG.Ü	CEE-Stecker 5x32A 400V	50 m	5x6,0 mm ² Proflexx	2/CEE-sockets 5x32A 400V	
72819	85250	504.3.92.50560.GG.Ü	CEE-Stecker 5x32A 400V	50 m	5x6,0 mm ² Proflexx	1/CEE-socket 5x32A 400V 2/Schuko sockets 16A 230V 2/MCB 1pol. 16A	
72821		504.6.25516.GG.Ü	CEE-Stecker 5x63A 400V	25 m	5x16,0 mm ² Proflexx	1/CEE-socket 5x63A 400V	

Design the optimum solution for your requirements with our engineers.

Free engraving on roller flange and free printing of the cable with your company name for orders over 100 m per dimension.



Series 505



Technical specifications

- Stand: stable steel tube rack, powder-coated red coating RAL 3020, equipped with 2 solid rubber wheels of 200mm diameter
- Reel body: sheet steel with integrated ball-bearing shaft and two handles to carry the reel; one handle can be used as crank
- Thoroughly sturdy shaft
- Easily transported by tipping
- Can be combined with socket distributors which have been tailored to the operating requirements at any time.
- Weight without cable reel approx. 30 kg

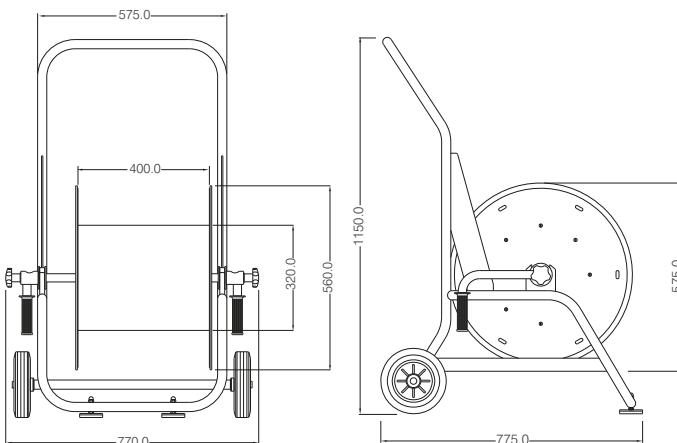
Max. cable length according to standard and capacity:

Cable cross-section	cable diameter	capacity
5x4.0 mm ²	17.0 mm	100 m
5x6.0 mm ²	19.6 mm	100 m
5x10.0 mm ²	24.7 mm	70 m
5x16.0 mm ²	29.0 mm	50 m

Series 505					
EDP No.	Product ID No.		Solid rubber plug / coupling	Cable length	Dimension / cabel
42302	505.KABELROLLE.O.GESTELL.CH	Reel body loose	-	-	-
40348	505.LEITUNGSROLLER.KURBEL.CH	Reel without cable	-	-	-
68202	505.306356.505160.GG.57	Reel with cable, plug and coupling	1/CEE-plug 5x63A 400V 1/CEE-coupling 5x63A 400V	50 m	5x16.0 mm ² Proflexx

Design the optimum solution for your requirements with our engineers.

Free engraving on roller flange and free printing of the cable with your company name for orders over 100 m per dimension.







Zugleitungsroller
Schlauchaufroller

Series 520



Technical specifications

- Pre-assembled spring-operated cable reel with pivotable wall bracket
- Cabinet made of shock-resistant plastic material black/yellow
- Maximum operating voltage 230V
- Type of protection: IP42
- Weight: approx. 3.0 kg

Series 520 Earth cable reel

EDP No.	EDP No. F&B	Product ID No.	Dimension / cable	Cable length	
106020		520.9006.P	1x6 mm ² - H05V-F	6 m + 1 m free	

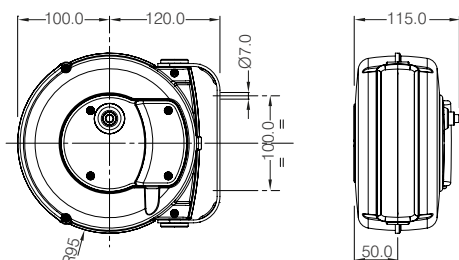
Series 520 incl. overheating protection without coupling

EDP No.	EDP No. F&B	Product ID No.	Solid rubber coupling	Dimension / cable	Cable length	Coiled version	Uncoiled version
48720		520.9004.Ü.P	-	3x1,5 mm ² - H05VV-F	5 m + 1 m free	1.400W	1.900W

Series 520 incl. overheating protection with coupling

EDP No.	EDP No. F&B	Product ID No.	Solid rubber coupling	Dimension / cable	Cable length	Coiled version	Uncoiled version
106022	117030	520.9004.211.Ü	Schuko-Kupplung 16A 230V	3x1,5 mm ² - H05VV-F	5 m + 1 m free	1.400W	1.900W

Design the optimum solution for your requirements with our engineers.



Series 523



Technical specifications

- Pre-assembled spring-operated cable reel with pivotable mounting bracket
- Closed cabinet made of shock-resistant plastic material
- Return stop with toothed locking device every 50 cm, easy to disable
- Maximum operating voltage 750V
- Type of protection: IP42
- Weight: approx. 5.0 kg

Series 523 Earth cable reel

EDV-Nr.	Artikel-Nr.	Dimension / cable	Cable length
106024	523.4106.P	1x6 mm ² - H05V-F	15 m + 1 m free
91714	523.4116.P	1x16 mm ² - H05V-F	10 m + 1 m free

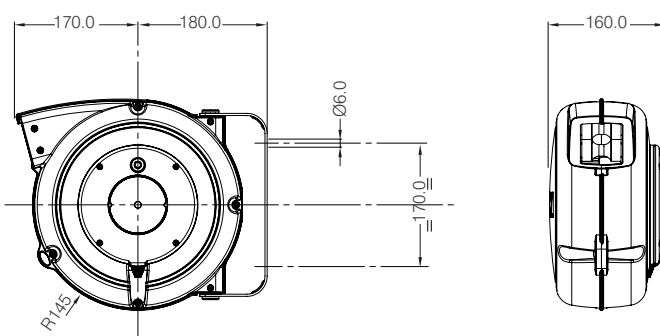
Series 523 incl. overheating protection without coupling

EDV-Nr.	Artikel-Nr.	Solid rubber coupling	Dimension / cable	Cable length	Coiled version	Uncoiled version
103795	523.4315RNF.Ü.P	-	3x1,5 mm ² - H07RN-F	9 m + 1 m free	1.200W	1.800W
106026	523.4325RNF.Ü.P	-	3x2,5 mm ² - H07RN-F	7 m + 1 m free	1.900W	2.500W
106028	523.4515RNF.P	-	5x1,5 mm ² - H07RN-F	7 m + 1 m free	1.400W	1.900W

Series 523 incl. overheating protection with coupling

EDV-Nr.	Artikel-Nr.	Solid rubber coupling	Dimension / cable	Cable length	Coiled version	Uncoiled version
106030	523.4315RNF.211.Ü	Schuko-Kupplung 16A 230V	3x1,5 mm ² - H07RN-F	9 m + 1 m free	1.200W	1.800W
106031	523.4325RNF.211.Ü	Schuko-Kupplung 16A 230V	3x2,5 mm ² - H07RN-F	7 m + 1 m free	1.900W	2.500W

Design the optimum solution for your requirements with our engineers.



Series 524



Technical specifications

- Pre-assembled spring-operated cable reel with pivotable mounting bracket
- Cabinet made of shock resistant plastic materia, grey
- Special steel return spring, factory-set to permanent tension, locking device can be adjusted
- Maximum operating voltage 750V
- Type of protection: IP42
- Weight: approx. 10 kg

Series 524 Earth cable reel

EDP No.	EDP No. F&B	Product ID No.	Dimension / cable	Cable length	
106043		524.7116.P	1x16 mm ² - H05V-F	20 m + 2 m free	

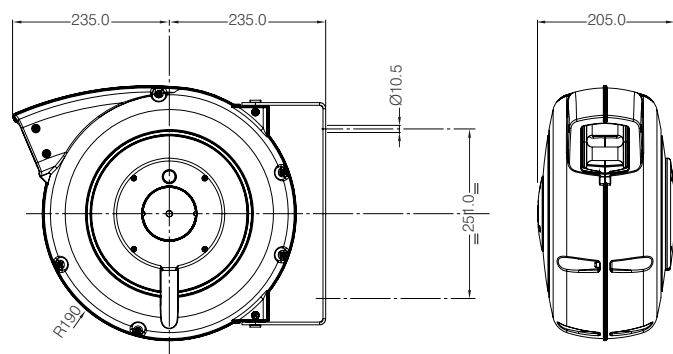
Series 524 without coupling

EDP No.	EDP No. F&B	Product ID No.	Solid rubber coupling	Dimension / cable	Cable length	Coiled version	Uncoiled version
106033		524.7315RNF.P	-	3x1.5 mm ² - H07RN-F	20 m + 2 m free	1,100W	1,800W
104280		524.7325RNF.P	-	3x2.5 mm ² - H07RN-F	17 m + 2 m free	2,000W	3,000W
106034		524.7515RNF.P	-	5x1.5 mm ² - H07RN-F	15 m + 2 m free	1,500W	2,200W
86241		524.7525RNF.P	-	5x2.5 mm ² - H07RN-F	10 m + 2 m free	2,000W	3,000W

Series 524 with coupling

EDP No.	EDP No. F&B	Product ID No.	Solid rubber coupling	Dimension / cable	Cable length	Coiled version	Uncoiled version
85805	107885	524.7315RNF.211	Schuko-coupling 16A 230V	3x1.5 mm ² - H07RN-F	20 m + 2 m free	1,100W	1,800W
104281	107886	524.7325RNF.211	Schuko-coupling 16A 230V	3x2.5 mm ² - H07RN-F	17 m + 2 m free	2,000W	3,000W
86242		524.7525RNF.301657	CEE-coupling 16A 400V	5x2.5 mm ² - H07RN-F	10 m + 2 m free	2,000W	3,000W

Design the optimum solution for your requirements with our engineers.



Series 525



Technical specifications

- Pre-assembled default spring-operated cable reel
- Robust, industry-standard open design in aluminium and steel, Epoxy-coated
- Direct mounting on the wall or with special swiveling holder
- With specialised spring drive; spring made of special steel which has high levels of resistance
- Opening the cable guide using rollers
- Operating voltage max. 500V
- Type of protection: IP65
- Mounting options and accessories, see page 22-23
- The spring-operated cable reel is supplied ex factory with a permanent tension setting. The locking device can be easily switched on prior to entry into service.
- Incl. 2.5 m connection cables to the power input, 2 m wires externally
- The indicated cable lengths refer to installation type E (see page 23). The cable length that can actually be used depends on the respective installation type.

Series 525 Earth cable reel

EDP No.	EDP No. F&B	Product ID No.	Dimension / cable	Cable length	Bracket	Dimensions in mm		
						A	B	C
101328		525.1711.1701.P	1x16 mm ² - H05V-F	30 m + 2 m free	with swiveling bracket (1701)	440	160	365
106049		525.1711.1703.P	1x16 mm ² - H05V-F	30 m + 2 m free	with wall bracket (1703)	440	160	365

Series 525 without coupling with wall bracket 1703

EDP No.	EDP No. F&B	Product ID No.	Solid rubber coupling	Dimension / cable	Cable length	Coiled version	Uncoiled version	Dimensions in mm		
								A	B	C
106050		525.1717RNF.1703.P	-	3x2.5 mm ² - H07RN-F	29 m + 2 m free	2,000W	3,500W	440	160	365
106051		525.1753RNF.1703.P	-	5x2.5 mm ² - H07RN-F	24 m + 2 m free	7,000W	9,500W	440	160	365
106052		525.1757RNF.1703.P	-	5x6.0 mm ² - H07RN-F	14 m + 2 m free	17,000W	22,000W	550	160	410
106117		525.1766.1703.P	-	8x2.5 mm ² - H05VV-F	15 m + 2 m free	7.5A	7.5A	440	160	410

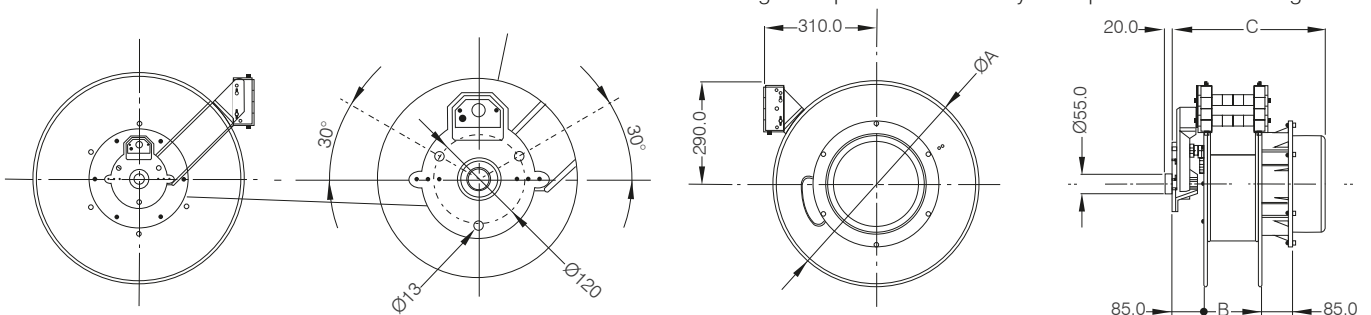
Series 525 without coupling with swiveling bracket 1701

EDP No.	EDP No. F&B	Product ID No.	Solid rubber coupling	Dimension / cable	Cable length	Coiled version	Uncoiled version	Dimensions in mm		
								A	B	C
106118		525.1766.1701.P	-	8x2.5 mm ² - H05VV-F	15 m + 2 m free	7.5A	7.5A	440	160	410

Series 525 with coupling with wall bracket 1703

EDP No.	EDP No. F&B	Product ID No.	Solid rubber coupling	Dimension / cable	Cable length	Coiled version	Uncoiled version	Dimensions in mm		
								A	B	C
106054	107887	525.1717RNF.1703.211.P	Schuko-coupling 16A 230V	3x2.5 mm ² - H07RN-F	29 m + 2 m free	2,000W	3,500W	440	160	365
106055		525.1753RNF.1703.301657.P	CEE-coupling 16A 400V	5x2.5 mm ² - H07RN-F	24 m + 2 m free	7,000W	9,500W	440	160	365
106056		525.1757RNF.1703.303257.P	CEE-coupling 32A 400V	5x6.0 mm ² - H07RN-F	14 m + 2 m free	17,000W	22,000W	550	160	410

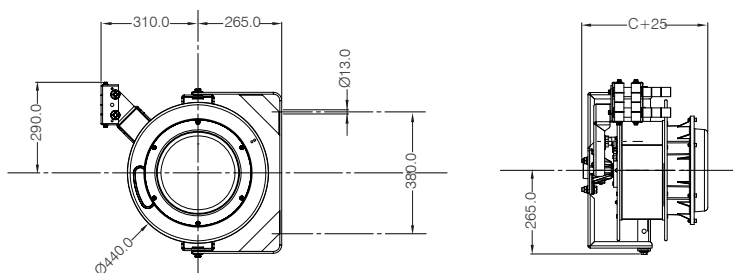
Design the optimum solution for your requirements with our engineers.



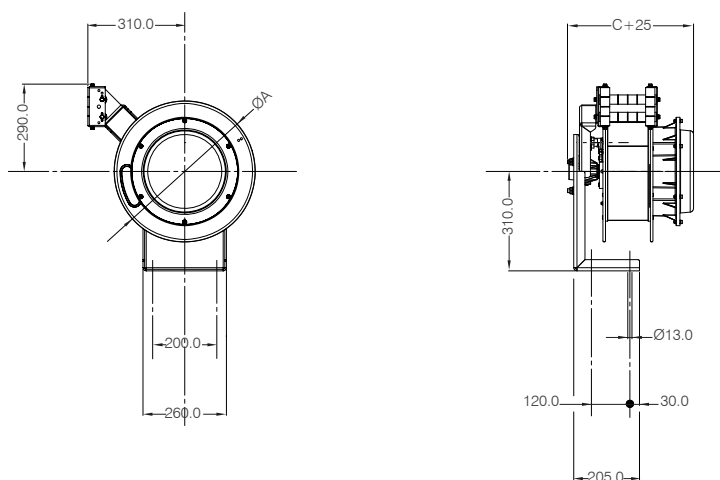
Accessories Series 525



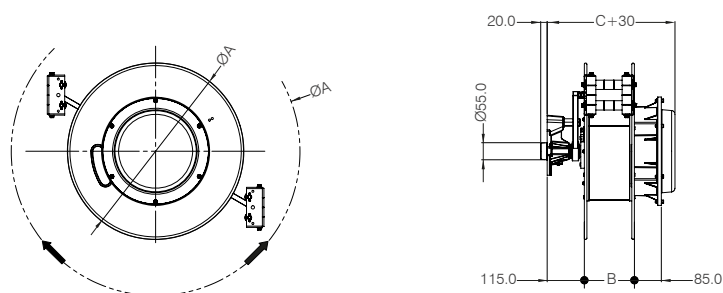
1701 - swiveling Holder



1703 - attachment device



1704 - swivelling bracket

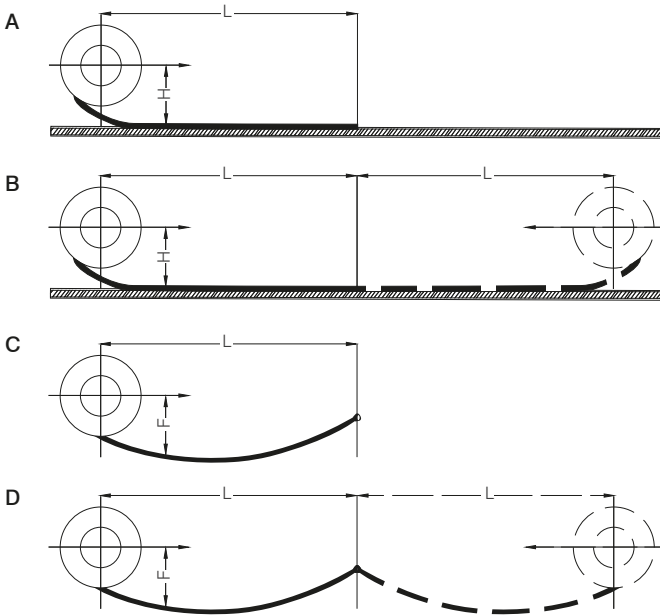


Series 525 Accessories

EDP No.	Product ID No.	Description
101324	525.1701	rotating holder series 525
87170	525.1703.BEFESTIGUNG	attachment device for wall, cover or ground
106046	525.1704.SCHWENKARM	rotating bracket for series 525

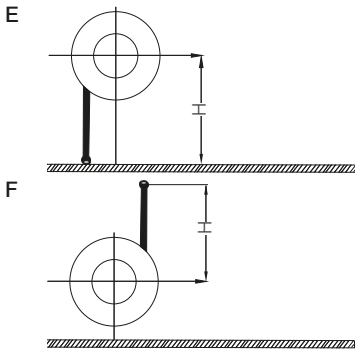
Design the optimum solution for your requirements with our engineers.

Drum (Series 525) mounted on moving part, horizontal rolling



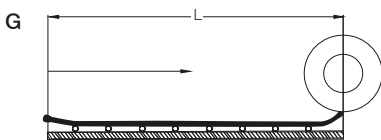
- A Uncoiled cable on the ground, rolling in one direction. Optimum installation with max. application possibilities
- B Uncoiled cable on the ground, rolling in two directions
- C Hanging cable, rolling in one direction, low number of cables, short length
- D Hanging cable, rolling in two directions.

Drum (Series 525) on a stationary or movable part mounted, vertical rolling



- E With top-mounted drum. Reduced number of meters due to weight of the cable.
- F With bottom-mounted drum. Optimum installation with max. application options Drum (Series 525) mounted on stationary or movable part, vertical rolling.

Drum (Series 525) to stationary or movable part mounted, vertical rolling



- G Cable on rollers, rolling in one direction

If the length and the cross-section increase, the dead weight of the reel increases.
The installation options for the cable are therefore limited.

Series 580

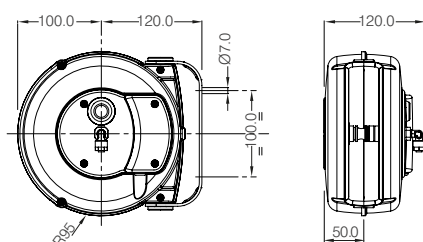


Technical specifications

- Hose reel for air and cold water
- Ideal for industry, commerce and hobbies
- Cabinet made of shock-resistant plastic material, black / yellow
- Roller factory-set with locking device, approx. every 50 cm, can be converted to permanent tension
- Operating pressure: max. 12 bar
- Swiveling bracket for wall and ceiling mounting
- Environmental temperature: -5° up to +40°C
- Weight: approx. 2 kg

Series 580					
EDP No.	Product ID No.	Hose length wound up	interior-Ø	connection	pressure
65613	580.9100/6	5.5 m + 1 m free	5.5 mm	1/4"	12 bar

Design the optimum solution for your requirements with our engineers.



Series 584



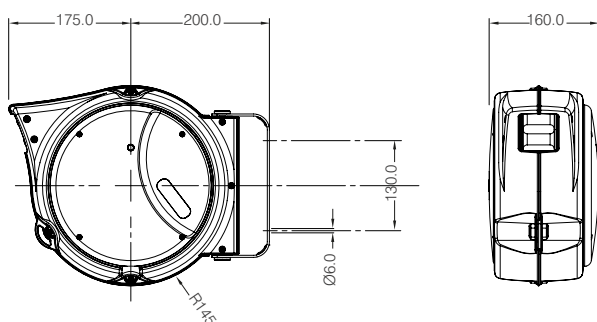
Technical specifications

- Hose reels for air
- Access tube: 1.5 m
- Ideal for industry, commerce and hobbies
- Cabinet made of special, high-quality plastic
- Roller factory-set with locking device, approx. every 50 cm, can be converted to permanent tension
- Operating pressure: max. 15 bar
- Swiveling metal bracket
- Environmental temperature: -5° up to +40°C
- Weight AM80 approx. 4.5 kg
- Weight AM85 approx. 8.0 kg

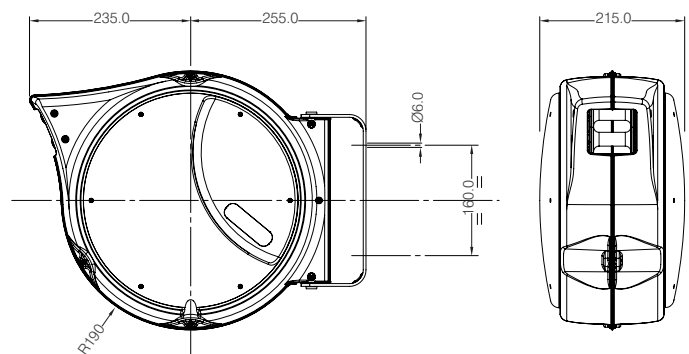
Series 584					
EDP No.	Product ID No.	Hose length wound up	interior-Ø	connection	pressure
105623	584.AM80/8	9 m + 1 m free	8 mm	1/4"	15 bar
104534	584.AM85/8	15 m + 1 m free	8 mm	1/4"	15 bar
105624	584.AM85/10	15 m + 1 m free	10 mm	1/4"	15 bar

Design the optimum solution for your requirements with our engineers.

AM80



AM85



Series 587



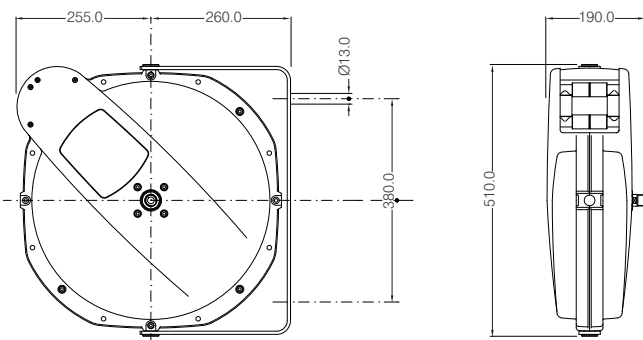
Technical specifications

- Hose reel for air and cold water
- Enclosed design with high pressure resistance of 20 bar
- Solid aluminium pressure casing, powder-coated, yellow
- Stopper for desired hose length
- Operating pressure: max. 20 bar
- Transition joint, brass/stainless steel
- Input connector to transition joint
- Polyurethane hose
- Entry: 1/2"
- Rotating bracket for wall and ceiling mounting
- Environmental temperature: -5° up to +50°C
- Weight: approx. 20 kg

Series 587

EDP No.	Product ID No.	Hose length wound up	interior-Ø	connection	pressure
67014	587.8803	20 m + 1 m free	10 mm	3/8"	20 bar
65347	587.8804	15 m + 1 m free	12.5 mm	1/2"	20 bar

Design the optimum solution for your requirements with our engineers.



Series 588



Technical specifications

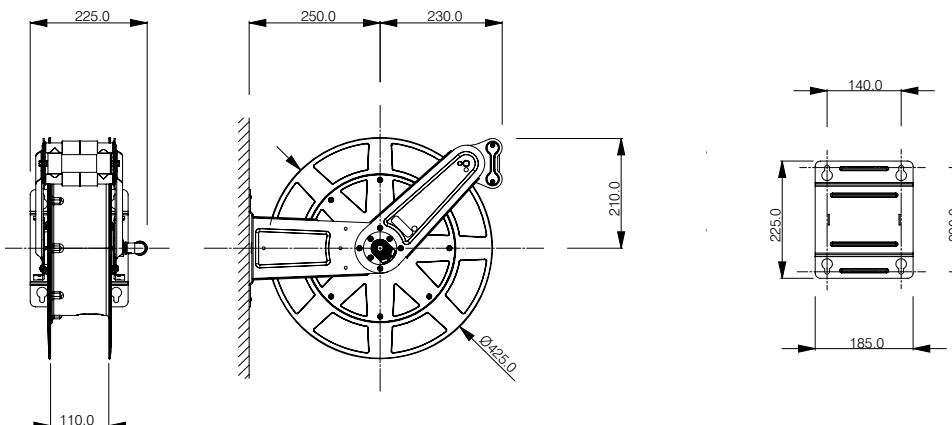
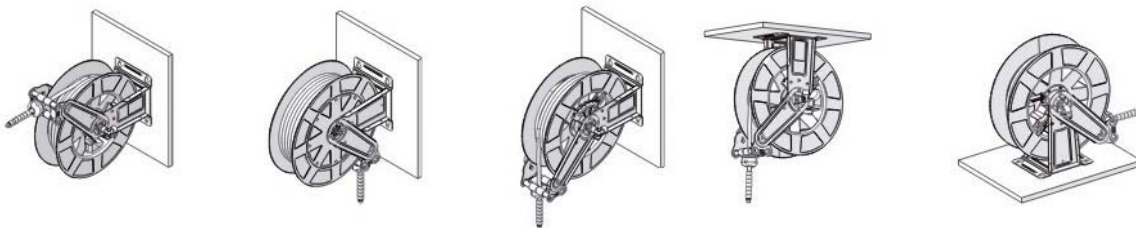
- Hose reel for air and cold water
- Large model, versatile installation, open structure
- Reel body made of high-quality special plastic
- Gloss polyurethane hose
- Operating pressure: max. 20 bar
- Support bracket made of galvanized, stainless steel
- Stopper for the desired hose length
- Transition joint, brass/stainless steel
- Input connector to transition joint
- Universal hose with stopper
- Entry: 1/2"
- With special accessory swiveling
- Environmental temperature: -10° up to +50°C
- Weight: approx. 17 kg

Series 588					
EDP No.	Product ID No.	Hose length wound up	interior-Ø	connection	pressure
118260	588.8424	20 m + 1 m free	10 mm	3/8"	20 bar
115587	588.8427	20 m + 1 m free	12.5 mm	1/2"	20 bar

Series 588 accessories		
EDP No.	Product ID No.	Description
115588	588.8400/SW	swivel device for Series 588

Design the optimum solution for your requirements with our engineers.

mounting options



Series 589



Technical specifications

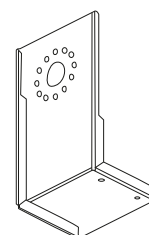
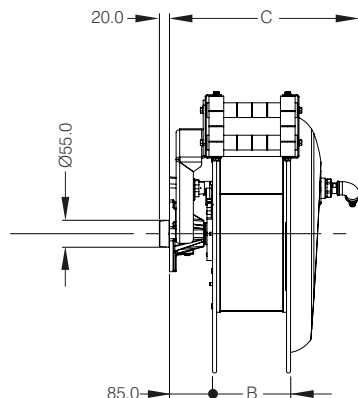
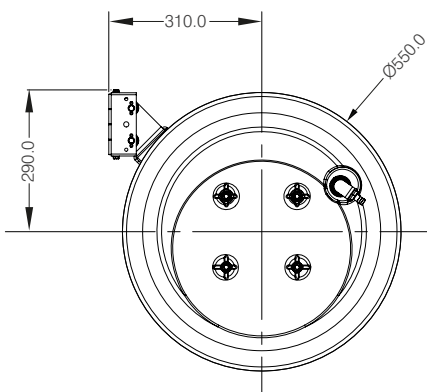
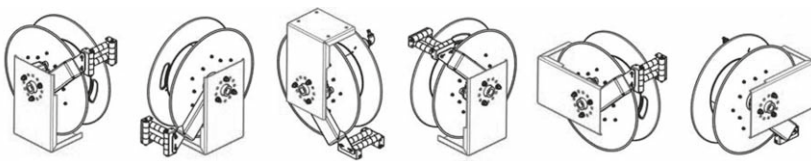
- Hose reel for air and cold water
- Closed design with high pressure resistance, up to 20 bar
- Design in hot-lacquered aluminium and steel
- Lateral clamping flange made of aluminium with integrated tooth locking device (delivery includes disabled locking device and can be easily activated before commissioning)
- The hose guide is opened with rollers
- The optimized through-joint prevents the build up of air
- Special spring drive, spring made of special steel with high strength
- Influx hose: 1 m
- Environmental temperature: - 5° up to + 40°C
- Additional device for ceiling, wall or floor mounting

Series 589								
EDP No.	Product ID No.	Hose length wound up	interior-Ø	connection	pressure	Dimensions in mm		
						B	C	
73205	589.8921	30 m + 2 m free	10 mm	3/8"	20 bar	130	360	
105625	589.8931	30 m + 2 m free	13 mm	1/2"	20 bar	130	360	
83889	589.8941	15 m + 2 m free	19 mm	3/4"	10 bar	160	390	

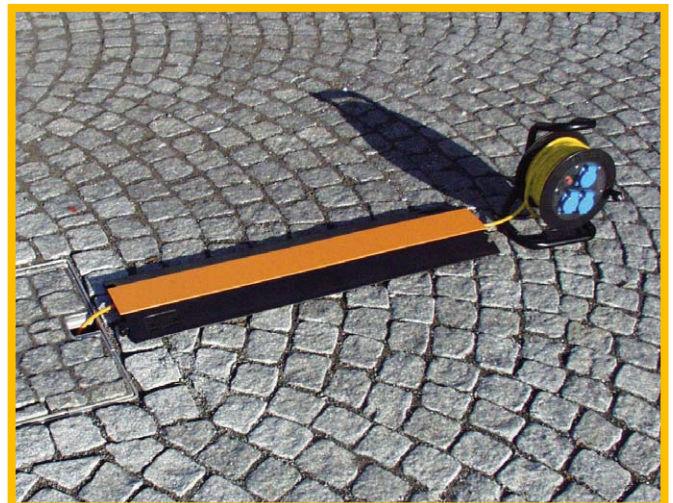
Series 589 accessories			
EDP No.	Product ID No.	Description	
83890	589.8901.WANDBEFESTIGUNG	Assembly device for ceiling, wall or floor mounting Series 589	

Design the optimum solution for your requirements with our engineers.

mounting options



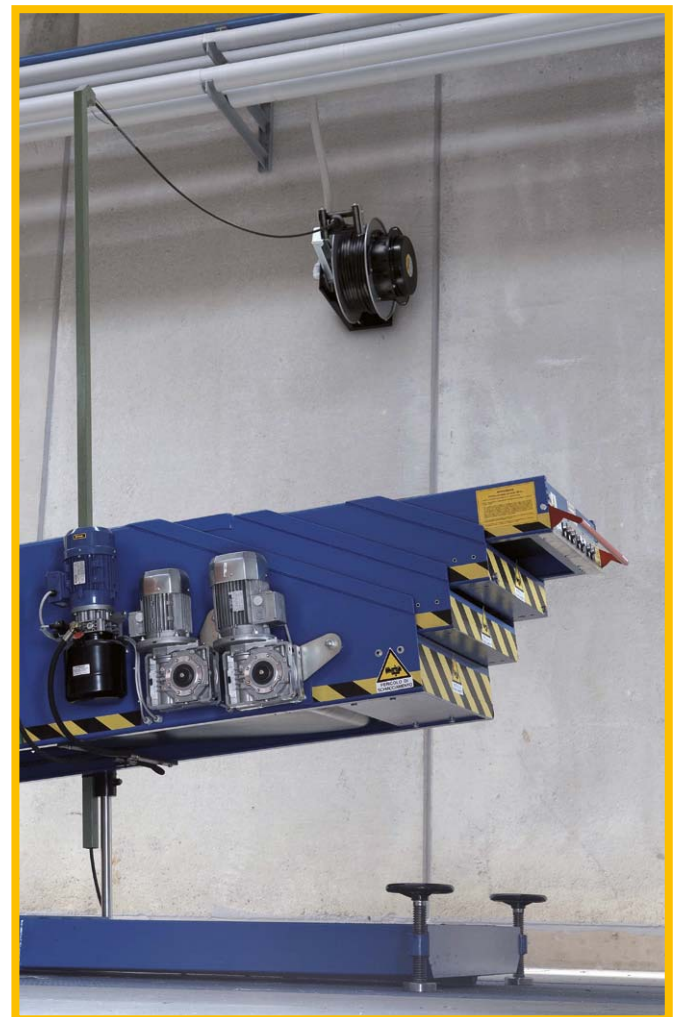
Standard - cable reels / solid rubber



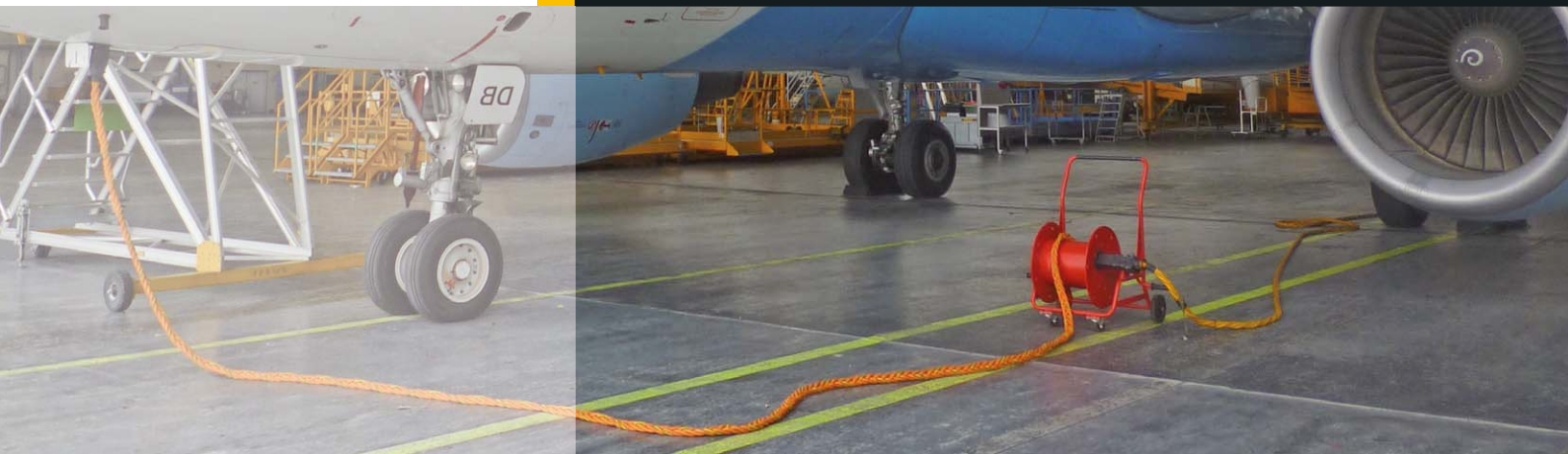
Spring-operated cable reels - hose Reels



Spring-operated cable reels - hose Reels



CONTACT US



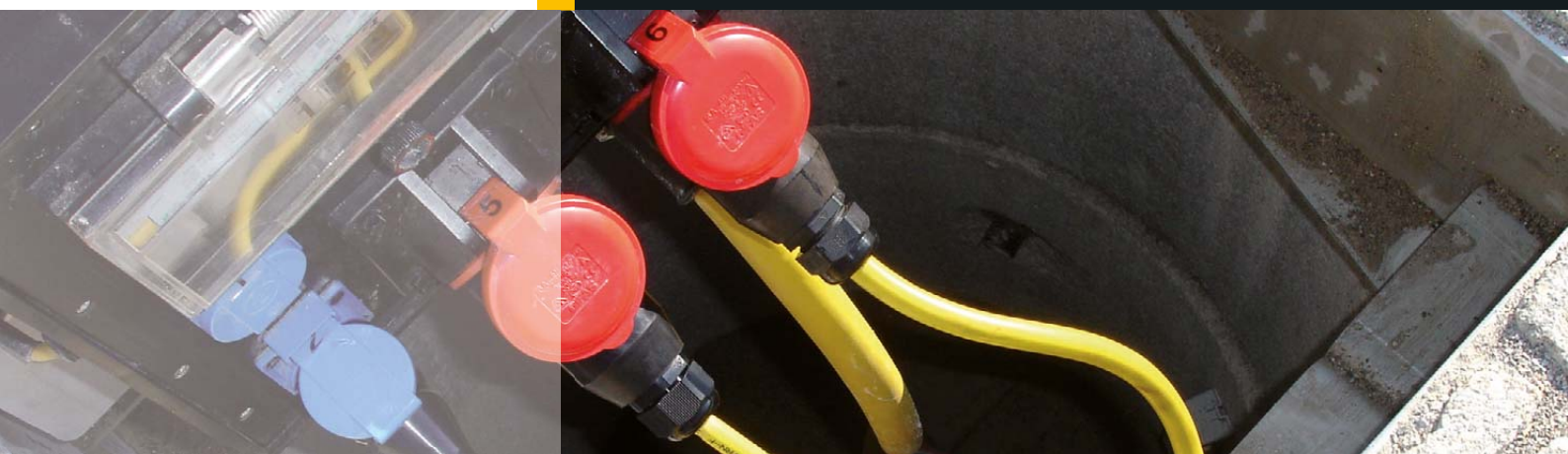
GIFAS
ELECTRIC

GIFAS ELECTRIC
Gesellschaft m.b.H
Strass 2
5301 Eugendorf
AUSTRIA

www.gifas.at
verkauf@gifas.at
+43 6225/7191-0
+49 8654/404-2000

SYSTEMATIC QUALITY

Plug-in connectors



Schuko connectors Solid rubber CEE-socket

Page 4 - 6

Solid rubber Schuko connectors



Page 4

Schuko connectors



Page 4

Schuko socket connectors – waterproof



Page 4

Solid rubber CEE connectors



Page 5

Solid rubber CEE built-in sockets and wall sockets



Page 6

Solid rubber CEE low-voltage plug connections

Page 7

CEE-low-voltage connectors



Page 7

Solid rubber-reducers

Page 8

Solid rubber reducers



Page 8

Plastic CEE plug connections built-in sockets

Page 9 - 10

CEE-plug and couplings



Page 9

Built-in sockets



Page 10

Plastic CEE appliance plug

Page 11

CEE-appliance plug



Page 11

Special Connectors
Industrial plug connections

Page 14 - 19

Single pole high current connector Decontactors and plug connections



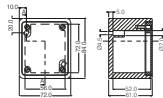
Page 14 - 17

Page 18 - 19

Dimensions table

Page 12 - 13

Dimensions table



Page 12 - 13

Solid rubber schuko connectors with nickel-plated pins



Solid rubber schuko plug connections, IP44				
EDP No.	EDP No. F&B	Product-ID-No.	Ampere	Volt
10735		111	16A	230V

Industrial design, for cables up to 3x2.5 mm²



Solid rubber schuko coupling, IP44				
EDP No.	EDP No. F&B	Product-ID-No.	Ampere	Volt
10930	120253	211	16A	230V

Industrial design, for cables up to 3x2.5 mm²



Solid rubber triple schuko coupling, IP44				
EDP No.	EDP No. F&B	Product-ID-No.	Ampere	Volt
11288	84969	313	16A	230V

Industrial design, for cables up to 3x2.5 mm²



Schuko plug, IP68				
EDP No.	EDP No. F&B	Product-ID-No.	Ampere	Volt
120224	120224	111.BLAU. IP68. DE+FB.HP	16A	230V



Schuko coupling, IP68				
EDP No.	EDP No. F&B	Product-ID-No.	Ampere	Volt
124405	125978	211.BLAU. IP68	16A	230V



Built-in schuko socket, IP68				
EDP No.	EDP No. F&B	Product-ID-No.	Ampere	Volt
134287	120223	309.BLAU. IP68*	16A	230V

Schuko connectors with nickel-plated pins



Built-in schuko socket, IP54				
EDP No.	EDP No. F&B	Product-ID-No.	Ampere	Volt
11212		309*	16A	230V

Made of break-proof thermoplast with spring cover with additional gasket.



Solid rubber structure schuko socket, IP65				
EDP No.	EDP No. F&B	Product-ID-No.	Ampere	Volt
70682	125965	1010.309. IP68.1M20*	16A	230V

Black solid rubber cabinet series 1010, 1/cable gland M20. Large space for connecting



Schuko socket structure, IP54				
EDP No.	EDP No. F&B	Product-ID-No.	Ampere	Volt
13799	85054	308*	16A	230V

Solid rubber cabinet series 308, gray RAL 7035, 1/cable gland M16.



Solid rubber wall schuko triple socket, IP65				
EDP No.	EDP No. F&B	Product-ID-No.	Ampere	Volt
72396	125967	1616.3X309. BLAU.IP68. 3EKL.1M20	16A	230V

Black solid rubber cabinet series 1616, 1/cable gland M20.

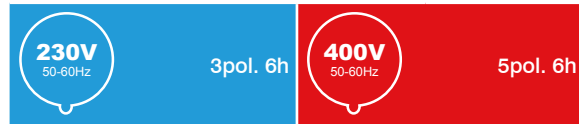


Schuko structure, IP54				
EDP No.	EDP No. F&B	Product-ID-No.	Ampere	Volt
25077	85055	21309.PA*	16A	230V

Black solid rubber cabinet series 2100 1/ cable gland M20. Large space for plug connections, can be converted to industrial plug connections and sockets in the sense of CEE 16A 2P+E 230V at any time.

* For dimensions, see page 13.

Solid rubber CEE connectors
with nickel-plated pins



Solid rubber CEE-plug						
Ampere	Number of poles	EDP No.	Product-ID-No.	EDP No.	Product-ID-No.	Protection
16A	2P + E	10870	201636			IP44
16A	3P + N + E			11090	301656	IP44



Solid rubber CEE-coupling						
Ampere	Number of poles	EDP No.	Product-ID-No.	EDP No.	Product-ID-No.	Protection
16A	2P + E	10878	201637			IP44
16A	3P + N + E			11098	301657	IP44



Solid rubber CEE-plug						
Ampere	Number of poles	EDP No.	Product-ID-No.	EDP No.	Product-ID-No.	Protection
32A	3P + N + E			11141	303256	IP44

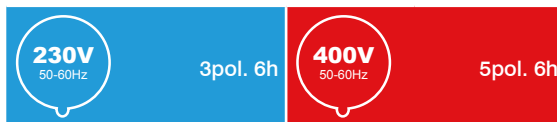


Solid rubber CEE-coupling						
Ampere	Number of poles	EDP No.	Product-ID-No.	EDP No.	Product-ID-No.	Protection
32A	3P + N + E			11151	303257	IP44



Solid rubber CEE-plug						
Ampere	Number of poles	EDP No.	Product-ID-No.	EDP No.	Product-ID-No.	Protection
63A	3P + N + E			11194	306356	IP67

Solid rubber CEE built-in sockets and wall sockets with nickel-plated pins



Solid rubber CEE built-in sockets						
Ampere	Number of poles	EDP No.	Product-ID-No.	EDP No.	Product-ID-No.	Protection
16A	2P + E	10884	201639*			IP44
16A	3P + N + E			11106	301659*	IP44
16A	3P + N + E			11108	301659.S*	IP44



Solid rubber CEE built-in sockets						
Ampere	Number of poles	EDP No.	Product-ID-No.	EDP No.	Product-ID-No.	Protection
32A	3P + N + E			11155	303259*	IP44



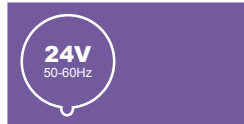
Solid rubber CEE wall sockets						
Ampere	Number of poles	EDP No.	Product-ID-No.	EDP No.	Product-ID-No.	Protection
16A	2P + E	26078	21201639*			IP44
16A	3P + N + E			25243	26301659*	IP44



Solid rubber CEE wall sockets						
Ampere	Number of poles	EDP No.	Product-ID-No.	EDP No.	Product-ID-No.	Protection
32A	3P + N + E			25321	25303259*	IP44

* For dimensions, see pages 12-13.

Solid rubber CEE low-voltage connectors with nickel-plated pins



Solid rubber CEE plug						
Ampere	Number of poles	EDP No.	Product-ID-No.	EDP No.	Product-ID-No.	Protection
16A	2P	10949	241626	11515	421626	IP44



Solid rubber CEE coupling						
Ampere	Number of poles	EDP No.	Product-ID-No.	EDP No.	Product-ID-No.	Protection
16A	2P	10952	241627	11516	421627	IP44



Solid rubber CEE built-in sockets						
Ampere	Number of poles	EDP No.	Product-ID-No.	EDP No.	Product-ID-No.	Protection
16A	2P	10956	241629*	11519	421629*	IP44



Solid rubber CEE wall sockets						
Ampere	Number of poles	EDP No.	Product-ID-No.	EDP No.	Product-ID-No.	Protection
16A	2P	25141	21241629*	26135	21421629*	IP44

* For dimensions, see pages 12-13.

Solid rubber reducers



The GIFAS reducers are manufactured according to the ÖVE standard. They offer the user the highest levels of safety by installing fuses and earth leakage circuit breakers.

For simultaneous all-pole disconnection and reconnection, safety is guaranteed.

Regulations for reducers and industrial connectors can be found in ÖVE-EN 50250.

Equipment that protects against overcharge must be installed in all places where the permissible permanent current is reduced, provided that the protective equipment primarily installed cannot provide such protection.

One-piece reducers with industrial plug connections are not permitted. There must be a flexible cord between the plug and the socket with a minimum length of 800 mm in Austria and, and about 1 m in Germany.

Solid rubber reducers					
EDP No.	EDP No. F&B	Product-ID-No.	Entry	Outlet	Fusing
48378	85056	21161.PA.2M.GG	2 m Proflexx cable 3x2.5 mm ² with solid rubber CEE plug 5x16A 400V	1/Schuko socket 16A 230V	
48379	116546	213201.PA.2M.GG	2 m Proflexx cable 3x4.0 mm ² with solid rubber CEE plug 5x32A 400V	1/Schuko socket 16A 230V	glass tube fuse 16A



W x H x D: 72 x 84 x 61 mm

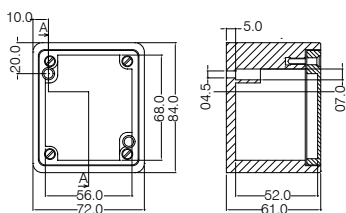
Solid rubber reducers					
EDP No.	EDP No. F&B	Product-ID-No.	Entry	Outlet	Fusing
77498		723219.2M.GG	2 m Proflexx cable 5x4.0 mm ² with Solid rubber CEE plug 5x32A 400V	1/Solid rubber CEE socket 5x16A 400V	1/LS-switch 3pol. 16A
77499		726319.2M.GG	2 m Proflexx cable 5x16.0 mm ² with Solid rubber CEE plug 5x63A 400V	1/Solid rubber CEE socket 5x16A 400V	1/LS-switch 3pol. 16A
77497		726339.2M.GG	2 m Proflexx cable 5x16.0 mm ² with Solid rubber CEE plug 5x63A 400V	1/Solid rubber CEE socket 5x32A 400V	1/LS-switch 3pol. 32A



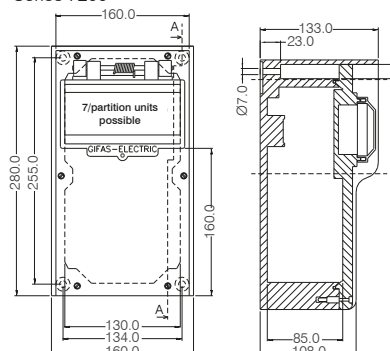
W x H x D: 160 x 280 x 133 mm
The safety material is installed under a shock-resistant transparent cover; in this position, it is splash-proof

Model the optimum solution for your requirements with our engineers.

Series 2100

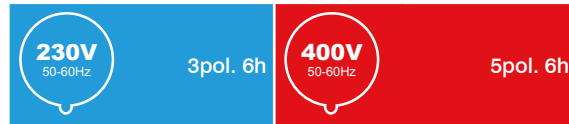


Series 7200



07/2023/1.1

Plastic CEE-connectors
with nickel-plated pins



CEE plug						
Ampere	Number of poles	EDP No.	Product-ID-No.	EDP No.	Product-ID-No.	Protection
16A	2P + E	107521	201636.HG			IP44
16A	3P + N + E			107522	301656.HG	IP44
32A	3P + N + E			107524	303256.HG	IP44
CEE phase inverters						
Ampere	Number of poles	EDP No.	Product-ID-No.	EDP No.	Product-ID-No.	Protection
16A	3P + N + E			61558	3016562.HP	IP44
32A	3P + N + E			92649	3032562.HP	IP44
CEE coupling						
Ampere	Number of poles	EDP No.	Product-ID-No.	EDP No.	Product-ID-No.	Protection
16A	2P + E	107564	201637.HG			IP44
16A	3P + N + E			107565	301657.HG	IP44
32A	3P + N + E			18853	303257.HP	IP44



CEE plug						
Ampere	Number of poles	EDP No.	Product-ID-No.	EDP No.	Product-ID-No.	Protection
16A	2P + E	107527	201636.WD.HG			IP67
16A	3P + N + E			88523	301656.WD.HG	IP67
32A	3P + N + E			67976	303256.WD.HP	IP67
CEE phase inverters						
Ampere	Number of poles	EDP No.	Product-ID-No.	EDP No.	Product-ID-No.	Protection
16A	3P + N + E			107530	3016562.WD.HG	IP67
32A	3P + N + E			107531	3032562.WD.HG	IP67
CEE coupling						
Ampere	Number of poles	EDP No.	Product-ID-No.	EDP No.	Product-ID-No.	Protection
16A	2P + E	107665	201637.WD.HG			IP67
16A	3P + N + E			93048	301657.WD.HG	IP67
32A	3P + N + E			107667	303257.WD.HG	IP67



CEE plug						
Ampere	Number of poles	EDP No.	Product-ID-No.	EDP No.	Product-ID-No.	Protection
63A	3P + N + E			107532	306356.WD.HG	IP67
CEE coupling						
Ampere	Number of poles	EDP No.	Product-ID-No.	EDP No.	Product-ID-No.	Protection
63A	3P + N + E			107712	306357.WD.HG	IP67

Alternative model are available upon request.

Plastic CEE built-in sockets with nickel-plated pins

230V 50-60Hz	3pol. 6h	400V 50-60Hz	4pol. 6h 5pol. 6h
------------------------	----------	------------------------	----------------------



CEE built-in sockets, diagonal						
Ampere	Number of poles	EDP No.	Product-ID-No.	EDP No.	Product-ID-No.	Protection
16A	2P + E	107713	201639.HG*			IP44
16A	3P + N + E			88892	301659.92X100MM.HP	IP44
32A	3P + N + E			88893	303259.92X100MM.HP	IP44



CEE built-in sockets, diagonal						
Ampere	Number of poles	EDP No.	Product-ID-No.	EDP No.	Product-ID-No.	Protection
16A	2P + E	107716	201639.WD.HG*			IP67
16A	3P + N + E			46201	301659.WD.92X100MM.HP*	IP67
32A	3P + N + E			67975	303259.WD.92X100MM.HP*	IP67



CEE built-in sockets, straight						
Ampere	Number of poles	EDP No.	Product-ID-No.	EDP No.	Product-ID-No.	Protection
16A	2P + E	134672	201639.G.75X75MM.HP			IP44
16A	3P + N + E			11116	301659.G.HG*	IP44
32A	3P + N + E			28746	303259.G.HG*	IP44



CEE built-in sockets, straight						
Ampere	Number of poles	EDP No.	Product-ID-No.	EDP No.	Product-ID-No.	Protection
16A	2P + E	107723	201639.G.WD.HG*			IP67
16A	3P + N + E			88522	301659.G.WD.75X75MM.HP*	IP67
32A	3P + N + E			107725	303259.G.WD.HG*	IP67

CEE-built-in sockets and wall sockets with nickel-plated pins



CEE built-in sockets						
Ampere	Number of poles	EDP No.	Product-ID-No.	EDP No.	Product-ID-No.	Protection
63A	3P + E			11192	306349*	IP67
63A	3P + N + E			11200	306359*	IP67



Wall sockets with solid rubber cabinet						
Ampere	Number of poles	EDP No.	Product-ID-No.	EDP No.	Product-ID-No.	Protection
63A	3P + E			47616	7250.306349.EKL.1M32*	IP65
63A	3P + N + E			46328	7250.306359.5HKL16.1M32*	IP65

*For dimensions, see pages 12-13

Plastic CEE connector
with nickel-plated pins

230V 50-60Hz	3pol. 6h	400V 50-60Hz	4pol. 6h 5pol. 6h
------------------------	----------	------------------------	----------------------



CEE connector						
Ampere	No. of poles	EDP No.	Product-ID-No.	EDP No.	Product-ID-No.	Protection
16A	3P + N + E			86228	3016556.HP*	IP44
32A	3P + N + E			120595	3032556.HP*	IP44



CEE connector						
Ampere	No. of poles	EDP No.	Product-ID-No.	EDP No.	Product-ID-No.	Protection
16A	2P + E	46771	2016386.HY*			IP44
16A	3P + N + E			11103	3016586.HM*	IP44
32A	3P + N + E			11154	3032586.HM*	IP44



CEE connector						
Ampere	No. of poles	EDP No.	Product-ID-No.	EDP No.	Product-ID-No.	Protection
16A	2P + E	10891	2016396.HP*			IP44
16A	3P + N + E			11118	3016596*	IP44
32A	2P + E	10908	2032396.HP*			IP44
32A	3P + E			11138	3032496*	IP44
32A	3P + N + E			11166	3032596*	IP44
63A	3P + E			11193	3063496.HP.GERADE*	IP67
63A	3P + N + E			11207	3063596.HP.GERADE*	IP67

* For dimensions, see pages 12-13.

Dimension table – CEE built-in sockets and appliance inlets

Solid rubber CEE built-in sockets

EDP No.	Ampere	Volt	No. of poles	A	B	C	D	E	F	G
10956	16A	24V	2P	75	64	80	60	52	5,5	60
11519	16A	42V	2P	75	64	80	60	52	5,5	60
10884	16A	230V	3P	75	64	87	60	52	5,5	60
11106	16A	400V	5P	100	100	103	85	77	5,5	60
11108	16A	400V	5P*	100	82	103	85	59	5,5	60
11155	32A	400V	5P	100	100	121	85	77	5,5	70

*narrow flange design

Plastic CEE built-in sockets, diagonal

EDP No.	Ampere	Volt	No. of poles	A	B	C	D	E	F	G	Protection
107713	16A	230V	3P	73,5	64	95	60	52	5,3	52	IP44
88892	16A	400V	5P	100	92	90	85	77	5,5	52	IP44/IP54
88893	32A	400V	5P	100	92	103	85	77	5,5	55	IP44/IP54
107716	16A	230V	3P	73,5	64	102	60	52	5,3	61	IP67
46201	16A	400V	5P	100	92	96	85	77	5,5	58	IP67
67975	32A	400V	5P	100	92	110	85	77	5,5	62	IP67
11192	63A	400V	4P	112	100	144	88	80	7,0	80	IP67
11200	63A	400V	5P	112	100	144	88	80	7,0	80	IP67

Plastic CEE built-in sockets, straight

EDP No.	Ampere	Volt	No. of poles	A	B	C	D	E	F	G	Protection
134672	16A	230V	3P	75	75	76	60	60	5,5	55	IP44/IP54
11116	16A	400V	5P	70	70	76	56	56	5,5	55	IP44/IP54
28746	32A	400V	5P	70	70	90	56	56	5,5	67	IP44/IP54
107723	16A	230V	3P	75	75	96	60	60	5,3	62	IP67
88522	16A	400V	5P	75	75	80	60	60	5,5	59	IP67
107725	32A	400V	5P	85	75	112	60	60	5,3	74	IP67

CEE built-in sockets

EDP No.	Ampere	Volt	No. of poles	A	B	C	D	E	F	G
10891	16A	230V	3P	70	70	63	56	56	5,5	42
11118	16A	400V	5P	70	70	62	56	56	5,5	42
10908	32A	230V	3P	70	70	72	56	56	5,5	51
11138	32A	400V	4P	70	70	72	56	56	5,5	51
11166	32A	400V	5P	70	70	72	56	56	5,5	51
11193	63A	400V	4P	100	100	117	80	80	7,0	109
11207	63A	400V	5P	100	100	117	80	80	7,0	109

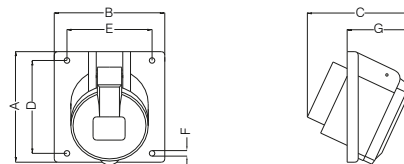
CEE angle-built-in sockets

EDP No.	Ampere	Volt	No. of poles	A	B	C	D	E	F	G
86228	16A	400V	5P	90	100	77	85	153	5,0	98
120595	32A	400V	5P	90	100	77	85	164	5,0	103

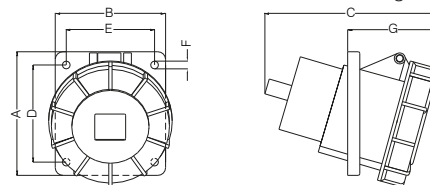
CEE Wall plug

EDP No.	Ampere	Volt	No. of poles	A	B	C	D	E	F	G
46771	16A	230V	3P	100	80	106	50	67	5,0	139
11103	16A	400V	5P	100	75	108	61	59	5,0	134
11154	32A	400V	5P	128	83	132	75	68	5,0	175

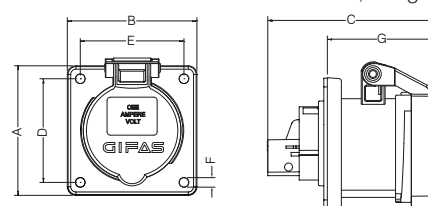
Solid rubber CEE built-in sockets



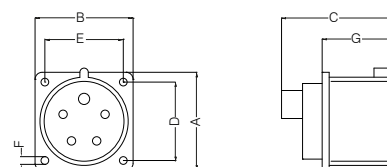
Plastic CEE built-in sockets, diagonal



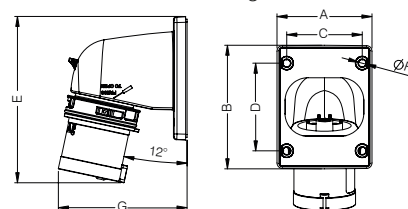
Plastic CEE built-in sockets, straight



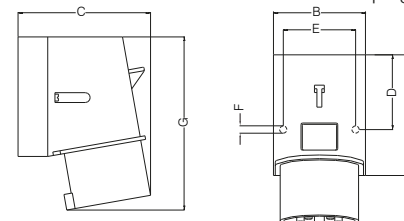
CEE built-in sockets



CEE angle-built-in sockets



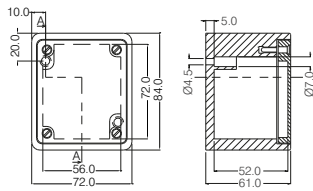
CEE Wall plug



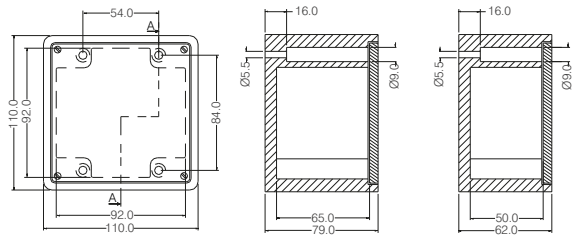
07/2023/1.1

Dimensions table / Dimensions

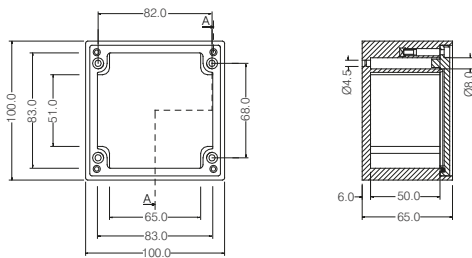
Series 2100



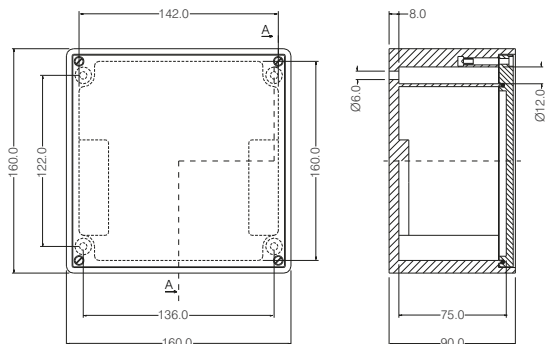
Series 2500, 2600



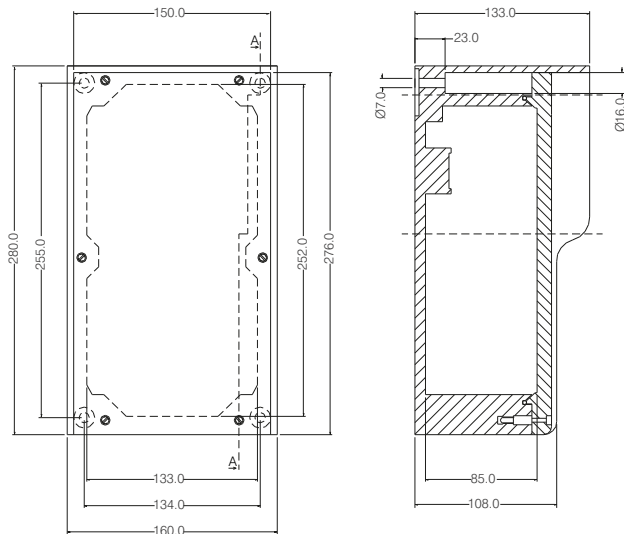
Series 1010



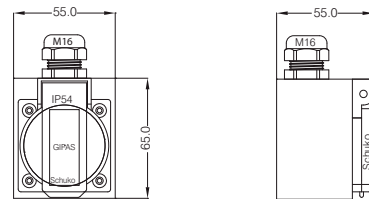
Series 1616



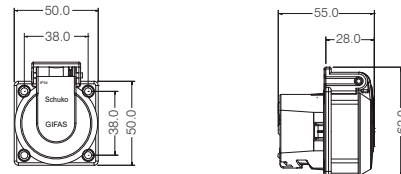
Series 7250



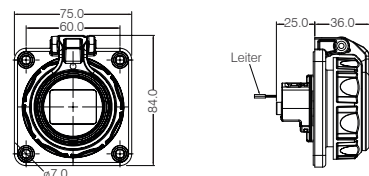
Series 308



Series 309



Series 309 IP68



Single pole high current connector - Powersafe



Special contact design

Due to recent developments in the technology of spring blade pins, the electrical characteristics of the connector are undergoing significant improvement:

- Low contact resistance
- Minimal voltage drop
- High short-circuit currents are possible
- Compact design
- Self-cleaning pins
- Lower insertion force when creating the connection
- High power transfer frequency
- High number of mating cycles
- Double-screw terminals for connection to 150 mm² (max. continuous power of 500A.)
- Crimp-clamping for cables up to 300 mm² (max. continuous power 800A)
- In compliance with EN 60529, Powersafe fulfils the requirements for protection class IP67 when plugged in.

Technical data

Number of pins	1
Maximum continuous current	500A - 800A
Surge current resistance	75kA
Short-circuit strength	35.5kA
Connection area	25 mm ² - 300 mm ²
Connection terminals	plug/coupling: to 150 mm ² Screw connection to 300 mm ² crimping connection appliance inlet / socket: bolt M12
Plug-in system	bayonet catch
Rated voltage	1000VAC
Maximum rated voltage to earth	2KVAC/3KVDC
Min. breakdown voltage	9.5KVDC/AC Peak
Insulation resistance	> 5MΩ@500VDC
Protection	IP67
Contact protection for conductive parts	IP2X
Flame-resistance	UL94-VO
Mating cycles	> 500
Housing Material	Thermoplast, high-temperature-resistant
Pin Quality	silvered

Advantages

- Increased surge current strength
- High resistance to short-circuiting
- Increased international protection type
- Simple plug-in system - reduced insertion force required
- Optimum cable relief
- Very high level of impact strength
- Use of special, heat-resistant materials
- Rubber handle for easy, non-slip insertion of the connections
- RoHS-compliant

Technical information

- Distinctively color-coded
- Mechanically coded in order to prevent confusion
- Lock to prevent accidental disconnection under load
- Increased impact-resistant cabinet
- Integrated cable relief
- Metric cable glands in accordance with EN standards with increased clamping range

Applications

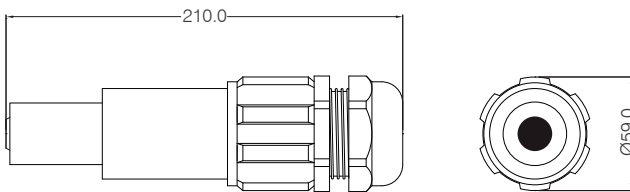
Typical areas of application for the Powersafe connectors are lighting distributors, network connection boxes on-stage, generators, AC motors, etc.

These connections, specially designed for the high current range, are, for example, perfect for use in industrial firms, for outdoor concerts, sporting events, and television broadcasts. The improved resistance to impact and increased protection class also allow use in heavy industry, in mining, on large construction sites or in the military.

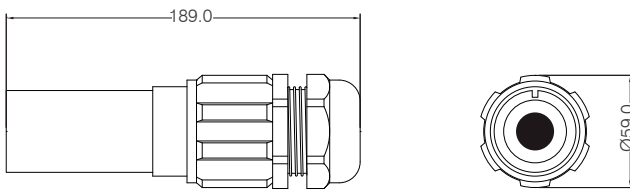
Single pole high current connector - Powersafe



Plug and coupling dimensions

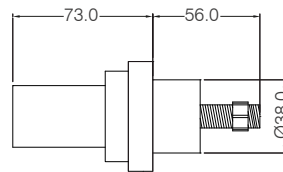


Plug dimensions in mm

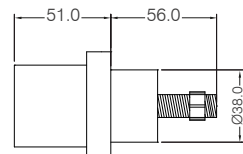
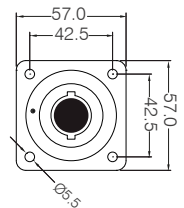


Coupling dimensions in mm

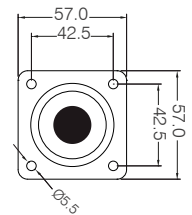
Built-in plug and built-in sockets Dimensions



Built-in plug dimensions in mm



Built-in socket dimensions in mm



Discharger Powersafe Box



EDP No.	Product-ID-No.	Description
109523	PS.POWERBOX.SOCKET.PS5-E-108GIF.800A.240QMM. MS.UT.M	Powersafe box, panel source box 800A, 108 mm front panel, including MS Connector, incl. unlocking tool
109524	PS.POWERBOX.PLUG.PD5-E-108GIF.800A.240QMM.MS.UT.M	Powersafe box, panel drain box 800A, 108 mm front panel, including MS Connector, incl. unlocking tool

Single pole high current connector - Powersafe

Socket

EDP No.	Product-ID-No.	Description
93282	POWERSAFE.STECKDOSE.L1.BR.500A.M12	Powersafe socket L1 BROWN 500A
93283	POWERSAFE.STECKDOSE.L2.SW.500A.M12	Powersafe socket L2 BLACK 500A
93284	POWERSAFE.STECKDOSE.L3.GR.500A.M12	Powersafe socket L3 GREY 500A
93285	POWERSAFE.STECKDOSE.N.BL.500A.M12	Powersafe socket N BLUE 500A
93286	POWERSAFE.STECKDOSE.PE.GN.500A.M12	Powersafe socket PE GREEN 500A

Protection cap socket

EDP No.	Product-ID-No.	Description
93287	POWERSAFE.STECKDOSE.SCHUTZKAPPE.L1	Powersafe Protection cap for socket
93288	POWERSAFE.STECKDOSE.SCHUTZKAPPE.L2	Powersafe Protection cap for socket
93289	POWERSAFE.STECKDOSE.SCHUTZKAPPE.L3	Powersafe Protection cap for socket
93290	POWERSAFE.STECKDOSE.SCHUTZKAPPE.N	Powersafe Protection cap for socket
93291	POWERSAFE.STECKDOSE.SCHUTZKAPPE.PE	Powersafe Protection cap for socket

Appliance inlet

EDP No.	Product-ID-No.	Description
93292	POWERSAFE.GERÄTESTECKER.L1.BR.500A.M12	Powersafe connector L1 BROWN 500A
93293	POWERSAFE.GERÄTESTECKER.L2.SW.500A.M12	Powersafe connector L2 BLACK 500A
93294	POWERSAFE.GERÄTESTECKER.L3.GR.500A.M12	Powersafe connector L3 GREY 500A
93295	POWERSAFE.GERÄTESTECKER.N.BL.500A.M12	Powersafe connector N BLUE 500A
93296	POWERSAFE.GERÄTESTECKER.PE.GN.500A.M12	Powersafe connector PE GREEN 500A

Protection cap appliance inlet

EDP No.	Product-ID-No.	Description
93298	POWERSAFE.GERÄTESTECKER.SCHUTZKAPPE.L1	Powersafe Protective cap for connector
93299	POWERSAFE.GERÄTESTECKER.SCHUTZKAPPE.L2	Powersafe Protective cap for connector
93300	POWERSAFE.GERÄTESTECKER.SCHUTZKAPPE.L3	Powersafe Protective cap for connector
93301	POWERSAFE.GERÄTESTECKER.SCHUTZKAPPE.N	Powersafe Protective cap for connector
93302	POWERSAFE.GERÄTESTECKER.SCHUTZKAPPE.PE	Powersafe Protective cap for connector

Single pole high current connector - Powersafe

Plug 150 mm²

EDP No.	Product-ID-No.	Description
93305	POWERSAFE.STECKER.L1.BR.500A.150QMM	Powersafe plug L1 BROWN 500A Ø 15-28 mm
93306	POWERSAFE.STECKER.L2.SW.500A.150QMM	Powersafe plug L2 BLACK 500A Ø 15-28 mm
93308	POWERSAFE.STECKER.L3.GR.500A.150QMM	Powersafe plug L3 GREY U 500A Ø 15-28 mm
93309	POWERSAFE.STECKER.N.BL.500A.150QMM	Powersafe plug N BLUE 500A Ø 15-28 mm
93311	POWERSAFE.STECKER.PE.GN.500A.150QMM	Powersafe plug PE GREEN 500A Ø 15-28 mm

Plug 240 mm²

EDP No.	Product-ID-No.	Description
93312	POWERSAFE.STECKER.L1.BR.800A.240QMM	Powersafe plug L1 BROWN 800A Ø 22-32 mm
93313	POWERSAFE.STECKER.L2.SW.800A.240QMM	Powersafe plug L2 BLACK 800A Ø 22-32 mm
93314	POWERSAFE.STECKER.L3.GR.800A.240QMM	Powersafe plug L3 GREY 800A Ø 22-32 mm
93315	POWERSAFE.STECKER.N.BL.800A.240QMM	Powersafe plug N BLUE 800A Ø 22-32 mm
93316	POWERSAFE.STECKER.PE.GN.800A.240QMM	Powersafe plug PE GREEN 800A Ø 22-32 mm

Protection cap plug

EDP No.	Product-ID-No.	Description
93317	POWERSAFE.STECKER.SCHUTZKAPPE.L1	Powersafe protection cap for plug
93318	POWERSAFE.STECKER.SCHUTZKAPPE.L2	Powersafe protection cap for plug
93319	POWERSAFE.STECKER.SCHUTZKAPPE.L3	Powersafe protection cap for plug
93320	POWERSAFE.STECKER.SCHUTZKAPPE.N	Powersafe protection cap for plug
93321	POWERSAFE.STECKER.SCHUTZKAPPE.PE	Powersafe protection cap for plug

Coupling 150 mm²

EDP No.	Product-ID-No.	Description
93322	POWERSAFE.KUPPLUNG.L1.BR.500A.150QMM	Powersafe coupling L1 BROWN 500A Ø 15-28 mm
93323	POWERSAFE.KUPPLUNG.L2.SW.500A.150QMM	Powersafe coupling L2 BLACK 500A Ø 15-28 mm
93324	POWERSAFE.KUPPLUNG.L3.GR.500A.150QMM	Powersafe coupling L3 GREY 500A Ø 15-28 mm
93325	POWERSAFE.KUPPLUNG.N.BL.500A.150QMM	Powersafe coupling N BLUE 500A Ø 15-28 mm
93326	POWERSAFE.KUPPLUNG.PE.GN.500A.150QMM	Powersafe coupling PE GREEN 500A Ø 15-28 mm

Coupling 240 mm²

EDP No.	Product-ID-No.	Description
93327	POWERSAFE.KUPPLUNG.L1.BR.800A.240QMM	Powersafe coupling L1 BROWN 800A Ø 22-32 mm
93330	POWERSAFE.KUPPLUNG.L2.SW.800A.240QMM	Powersafe coupling L2 BLACK 800A Ø 22-32 mm
93332	POWERSAFE.KUPPLUNG.L3.GR.800A.240QMM	Powersafe coupling L3 GREY 800A Ø 22-32 mm
93333	POWERSAFE.KUPPLUNG.N.BL.800A.240QMM	Powersafe coupling N BLUE 800A Ø 22-32 mm
93334	POWERSAFE.KUPPLUNG.PE.GN.800A.240QMM	Powersafe coupling PE GREEN 800A Ø 22-32 mm

Protection cap coupling

EDP No.	Product-ID-No.	Description
93335	POWERSAFE.KUPPLUNG.SCHUTZKAPPE.L1	Powersafe Protective cap for coupling
93336	POWERSAFE.KUPPLUNG.SCHUTZKAPPE.L2	Powersafe Protective cap for coupling
93337	POWERSAFE.KUPPLUNG.SCHUTZKAPPE.L3	Powersafe Protective cap for coupling
93338	POWERSAFE.KUPPLUNG.SCHUTZKAPPE.N	Powersafe Protective cap for coupling
93339	POWERSAFE.KUPPLUNG.SCHUTZKAPPE.PE	Powersafe Protective cap for coupling

Lock Key coupling / plug

EDP No.	Product-ID-No.	Description
93340	POWERSAFE.LOCK.KEY.STECKER.KUPPLUNG	Powersafe releasing key

Decontactors and plug connections 5A to 600A



DSN Decontactors

IP66/IP67 automatically when plugging

Industrial plug connections with integrated switching function, protection type IP66/IP67. The high international protection rating is automatically achieved when the plug is inserted or the lid is closed, without using more handles.

16 to 63A - up to 1000VAC and 250VDC.



PN plug connections IP66/IP67

Compact plug connections of protection type IP66/67, or heat-resistant.

As with all plug connections in this series, leak-tightness is automatically achieved when the plug is inserted or the lid is closed, without using other handles.

There are model available which are heat-resistant up to 240°C (IP54). 30A up to 500VAC and 130VDC.



DS Decontactors and plug connections

The quality standard for the processing industry

The model with the most comprehensive range of services.

It covers the range from 16 to 400A (decontactors that are separable under load up to 250A) and is available in metal (from 63A) and offers a variety of options.

16 to 400A - up to 1000VAC and 250VDC.

Decontactors and plug connections 5A to 600A



DXN/DX Decontactors

ATEX, "de" explosion protection

Explosion-proof plug connections with "de" explosion protection, as per the ATEX Directive 94/9/EC and the ATEX guidelines. The DXN and DX series can be used in Zones 1 and Zone 2 (gas) and Zones 21 and 22 (dust).

16 to 125A - up to 750VAC and 250VDC.



Self-ejecting systems - Rettbox®/Rettbox®-air

Automatic Isolation function

Self-ejecting systems can be triggered mechanically or by means of an automatic isolating function on start-up. Available with or without integrated compressed air unit.



CS / SP / CCH

High current connector, single-pole connectors up to 700A and charging couplers.

CONTACT US

GIFAS
ELECTRIC

GIFAS ELECTRIC
Gesellschaft m.b.H
Strass 2
5301 Eugendorf
AUSTRIA

🌐 www.gifas.at
✉ verkauf@gifas.at
☎ +43 6225/7191-0
☎ +49 8654/404-2000

Subject to technical changes 07/2023/1.1



SYSTEMATIC QUALITY

Underground distributors



PIAZZA

Pages 4 - 21

PIAZZA 1000



Pages 6 - 9

PIAZZA 700



Pages 10 - 13

PIAZZA 720M



Pages 14 - 17

PIAZZA 540



Pages 18 - 21

PICCOLINO

Pages 24 - 25

PICCOLINO 200

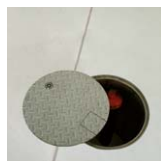


Pages 24 - 25

ROTRANT

Pages 26 - 27

ROTRANT



Pages 26 - 27

VESUVIO

Pages 28 - 31

VESUVIO



Pages 28 - 31

Load class/ max. loading capacity	Model Cover	Cover depth	Cover dimensions	Cover heating	Material
PIAZZA 1000					
D 400kN	individually fillable	70 mm	1000 x 1000 mm	self-regulating	stainless steel
PIAZZA 700					
D 400kN	individually fillable	70 mm	700 x 700 mm	self-regulating	stainless steel
PIAZZA 720M					
C 250kN	individually fillable	50 mm	720 x 720 mm	self-regulating	stainless steel
PIAZZA 540					
D 400kN	individually fillable	50 mm	540 x 540 mm	self-regulating	stainless steel

PICCOLINO 200					
C 250kN	Stud-plate or fillable	20 mm	200 x 200 mm	-	stainless steel

ROTRANT					
B 125kN	stud plate	-	Ø 324 x 490 mm	-	stainless steel

VESUVIO					
D 400kN	cast cover	-	Ø 670 mm	-	cast steel

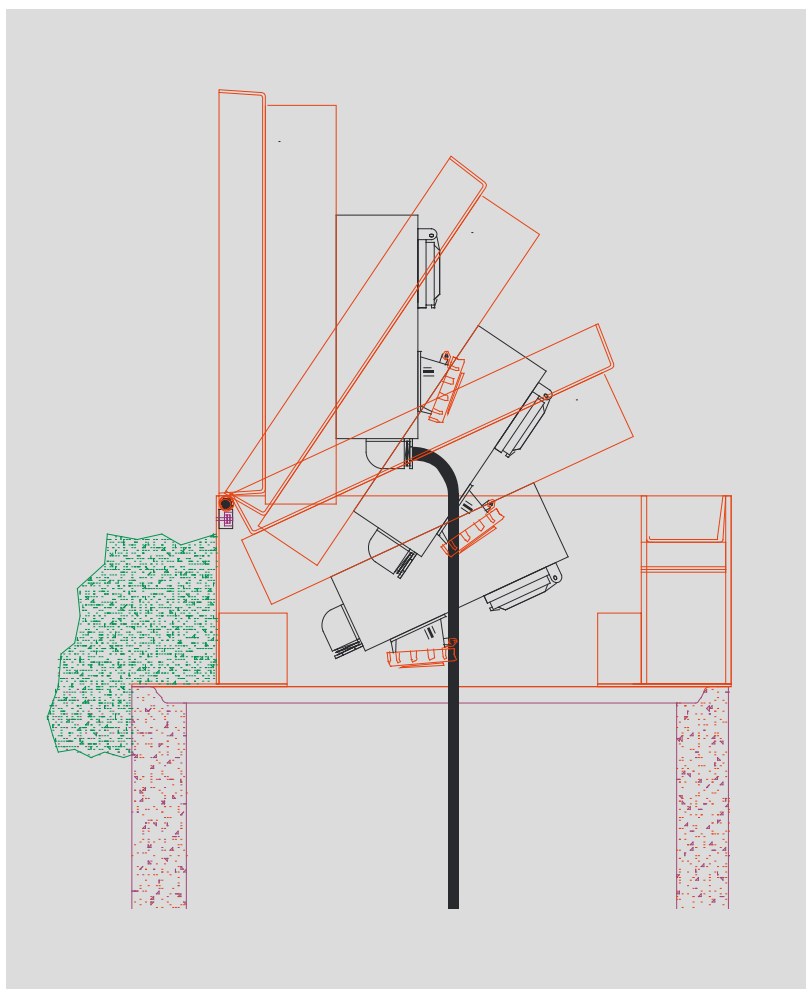
Areas of application:

- Squares
- Event halls
- Industrial halls
- Courtyards
- Pedestrian zones
- Parking areas
- Hangars
- etc.

Quite simply in all locations where energy is distributed according to demand and needs to be easily channeled underground.

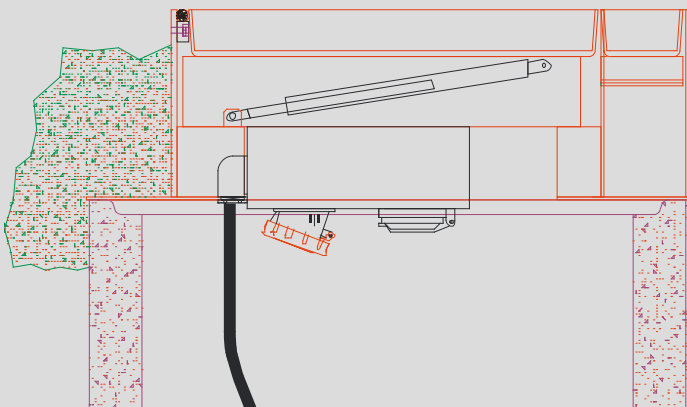
Properties:

- Robust, safe and easy to use.
- The GIFAS solid rubber distributor guarantees the utmost safety in operation.
- No problems with condensation.
- Resistant to environmental impact.
- The rubber material used is resistant to ageing and therefore has an extremely long serviceable life.



- Cover and frame made of stainless steel.
- Cover fillable individually and therefore can be ideally adjusted for the respective environment.
- For power supply, waste water and fresh water connections.
- Load class D 400 kN.
(the model 720M = Load class C 250kN)
- Cable- and tube outlet insert.
- Easy and very quick opening and closing are assisted by two gas springs.

- A self-regulating heating band has been laid within the shaft cover in order to ensure that opening is possible even at freezing temperatures.
- Accessible and trafficable even during operation.
- GIFAS solid rubber distributor: equipped individually in line with your individual requirements, technical data and electrical regulations.
- High levels of operational safety due to reclosing after start-up. This means optimum safety for both pedestrians and stationary or moving traffic, as well as protection against unauthorised access.



Solid stainless steel construction, 1000 x 1000 mm, max. load D 400 kN, gas-spring-assisted opening, shaft cover can be individually filled (depth of the tank 70 mm), distributor in line with customer requirements.



Fischbrunnensquare in Eggenfelden

EDP No. 83470

Scope of delivery

The stainless steel construction with fillable shaft cover is delivered already installed on a DN1000 concrete shaft with a height of 600 mm, ready-to-connect and together with a main distributor and terminal distributor.

Technical Information

- The shaft cover is locked using two sunk, lid-level, rust-proof M10 socket screws (closing tool is included in the scope of delivery)
- There is a cable outlet insert integrated within the shaft cover Cable outlet dimensions: 130 x 100 mm.
- The cover trough, with a depth of 70 mm, can be filled individually.
- There is a self-regulating heating tape installed within the shaft cover in order to ensure smooth opening even in freezing temperatures.

Work that needs to be executed by the customer

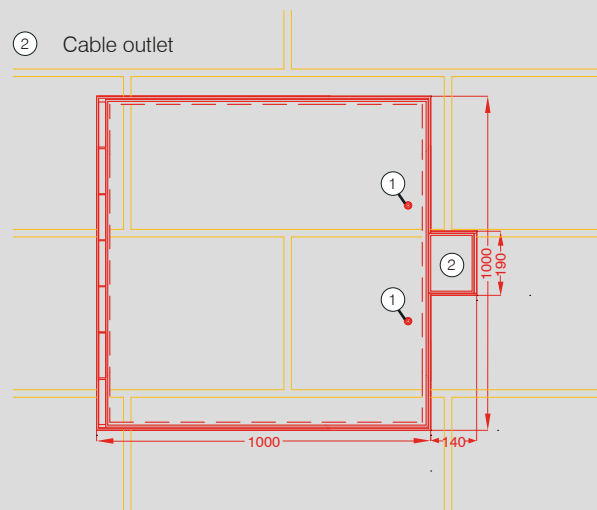
- The shaft lid structure is not water-tight in the event of surface water. Sufficient drainage must therefore be ensured by the customer.
- The necessary ground excavation.
- Installation of the construction in accordance with underlying technical standards.
- Filling of cover tray.
- Electrical connections must be implemented by a licensed electrical company.

Our strength is in customized solutions!

Design the optimum solution for your requirements with our engineers.

① Cover lock system

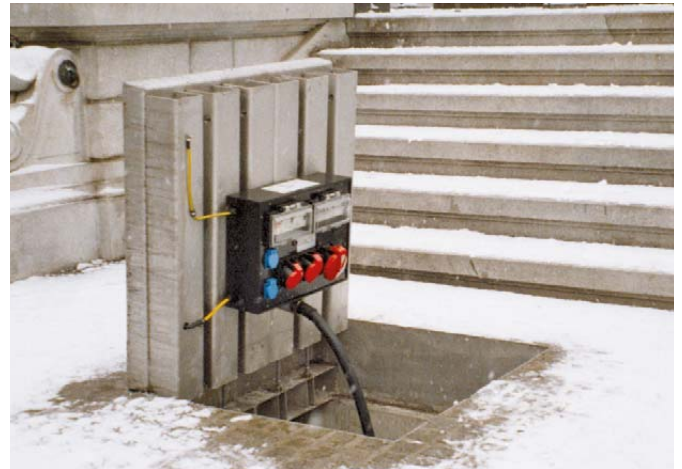
② Cable outlet





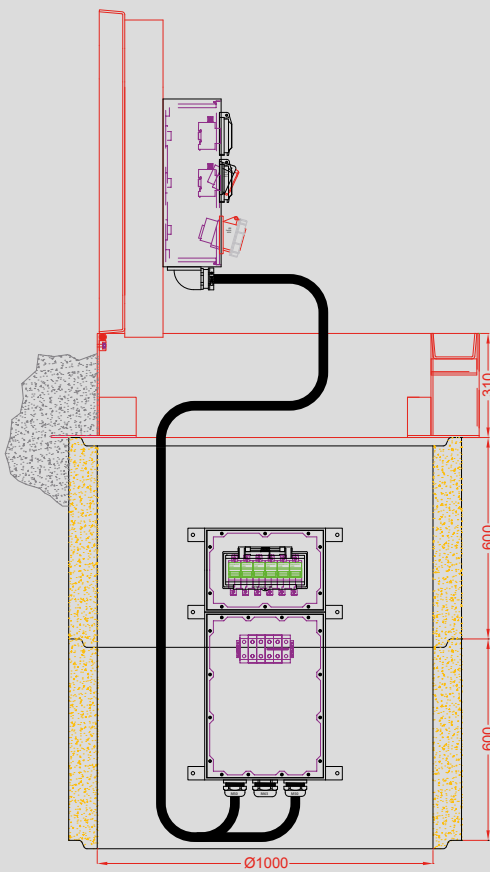
New place in Klagenfurt

EDP No. 82785

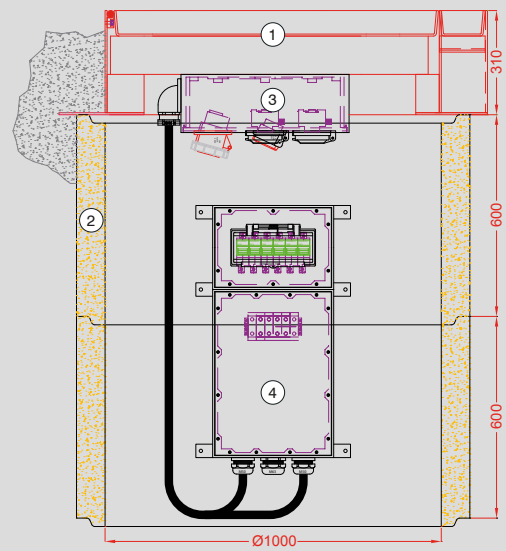


Kaiser Franz Josef monument - main square Graz

EDP No. 70071



- ① Stainless steel construction, depth of the tank 70 mm
- ② Concrete shaft DN1000 mm H=600 mm
- ③ Main junction box
- ④ Terminal box



An adequate, compliant foundation, the proper mounting of the shaft (D 400kN load) and adequate drainage must be ensured by the customer.

Main distributor:

- The cabinet made of vulcanized self-extinguishing butyl rubber guarantees the utmost safety in operation.
- The excellent insulating properties prevent any temperature-based accumulation of condensed water.
- The rubber material is resistant to environmental impact and is resistant to ageing and is therefore extremely long-lasting.
- Fuses are installed under two shock-resistant folding makrolon covers, where they are splash-resistant.
- The 4 wall fittings are sealed off from the rest of the wiring area and guarantee full protective insulation.
- GIFAS solid rubber distributor: individual assembly in line with the customer's individual Requirements, technical data and regulations.

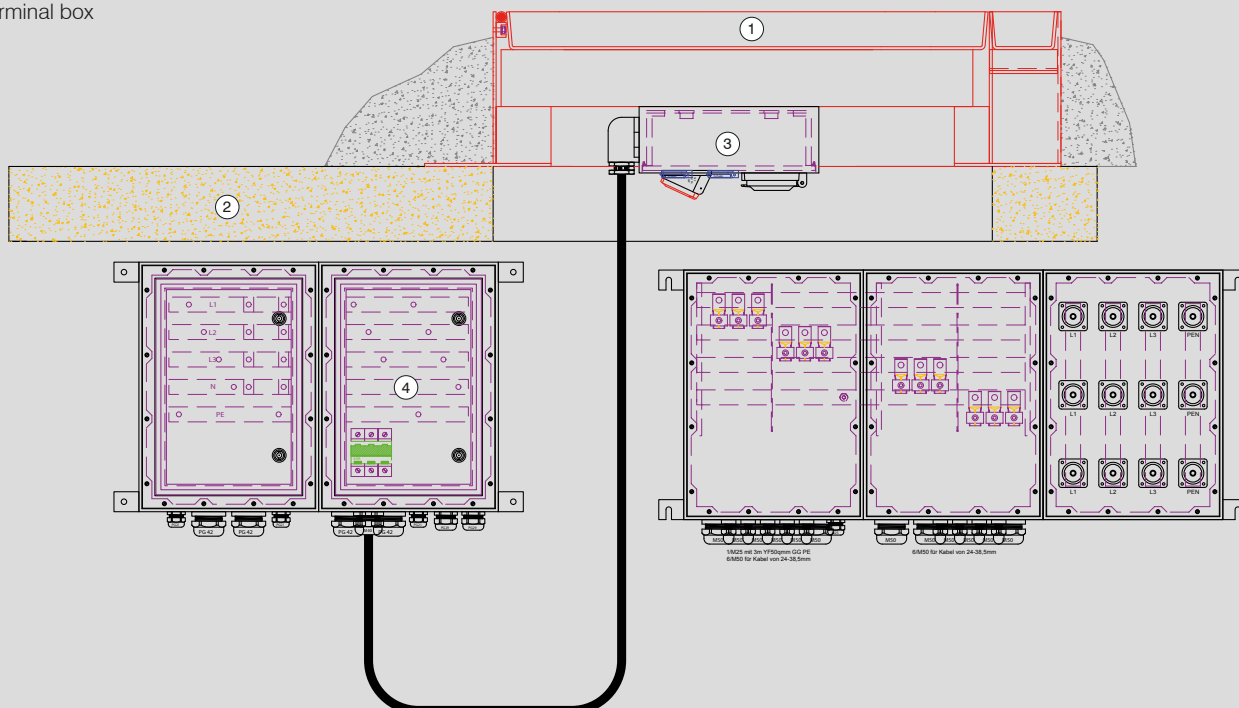


Fischbrunnensquare in Eggenfelden

EDP No. 83470

Special models

- ① Stainless steel construction, depth of the tank 70 mm
- ② Flat cover D 400kN (to be provided by the customer)
- ③ Main junction box
- ④ Terminal box



Terminal distributor:

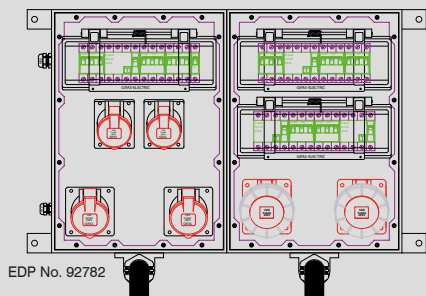
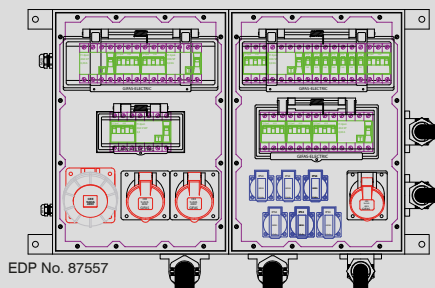
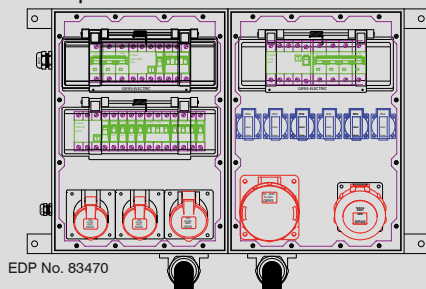
- Different cabinet sizes are available, and the choice depends on the connected load required.
- Aluminium bars affixed to the aluminium rails enable quick and easy installation on the concrete sleeve.



Junkers-Schlössle Götzis

EDP No. 73265

Equipment examples



Solid stainless steel construction 700 x 700 mm, max. load D 400 kN, gas-spring-assisted opening, shaft cover can be individually filled (depth of the tank 70 mm), distributor in line with customer requirements.



The town of Naarn in Marchland

EDP No. 89376

Scope of delivery

The stainless steel construction with fillable shaft cover is delivered with a main distributor and terminal distributor, assembled onto a DN800 concrete shaft with a height of 600 mm.

Technical Information

- The lid is locked using a sunk, lid-level stainless steel 10M socket screw (the closing tool is included in the scope of delivery).
- Within the shaft cover there is an integrated, fillable cable outlet insert part (dimensions cable outlet: 130 x 100 mm).
- The cover trough, with a depth of 70 mm, can be filled individually.
- There is a self-regulating heating band installed within the shaft cover, guaranteeing easy opening even in freezing temperatures.

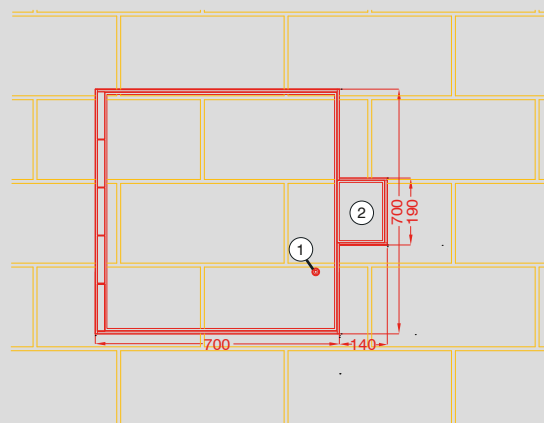
Work to be executed by the customer

- The shaft lid structure is not water-tight in the event of surface water. Sufficient drainage must therefore be ensured by the customer.
- The necessary ground excavation.
- Installation of the construction in accordance with underlying technical and legal standards.
- Filling of cover tray
- Electrical connections must be implemented by a licensed electrical company.

Our strength is in customised solutions!

Design the optimum solution for your requirements with our engineers.

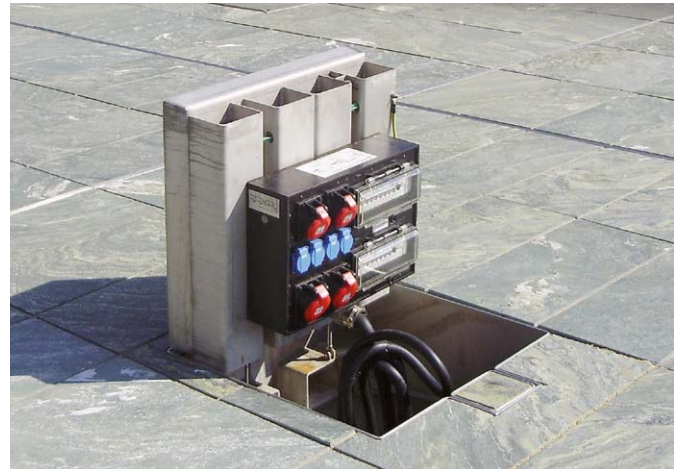
- ① Cover lock system
- ② Cable outlet





Forecourt, Europark Salzburg

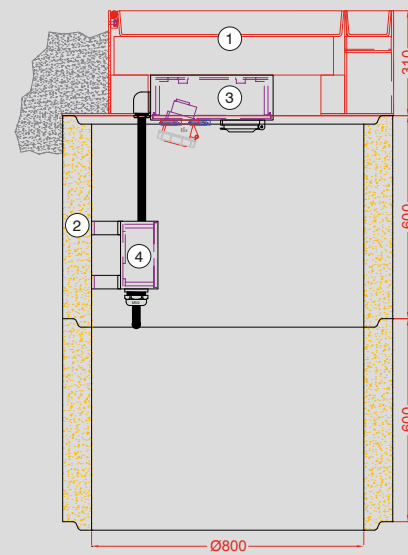
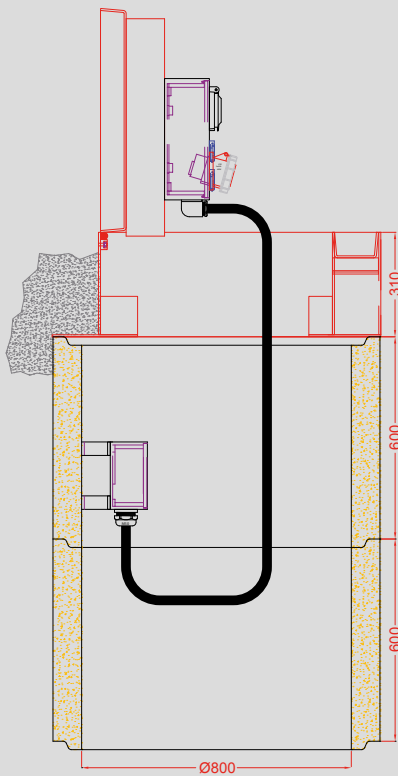
EDP No. 73486



Main square, Leobersdorf

EDP No. 85829

- ① Stainless steel construction, depth of the tank 70 mm
- ② Concrete shaft DN800 mm H=600 mm
- ③ Main junction box
- ④ Terminal box



An adequate, compliant foundation, the proper mounting of the shaft (D 400kN load) and adequate drainage must be ensured by the customer.

Main distributor:

- The cabinet made of vulcanized self-extinguishing butyl rubber guarantees the utmost safety in operation.
- The excellent insulating properties prevent any temperature-based accumulation of condensed water.
- The rubber material is resistant to environmental impact and is resistant to ageing and is therefore extremely long-lasting.
- The fuse material is installed under two shock-resistant folding makrolon covers, where they are splash-proof.
- The 4 wall fittings are sealed off from the rest of the wiring area and guarantee full protective insulation.
- GIFAS solid rubber distributor: individual assembly in line with your individual requirements and taking the technical standards into consideration.

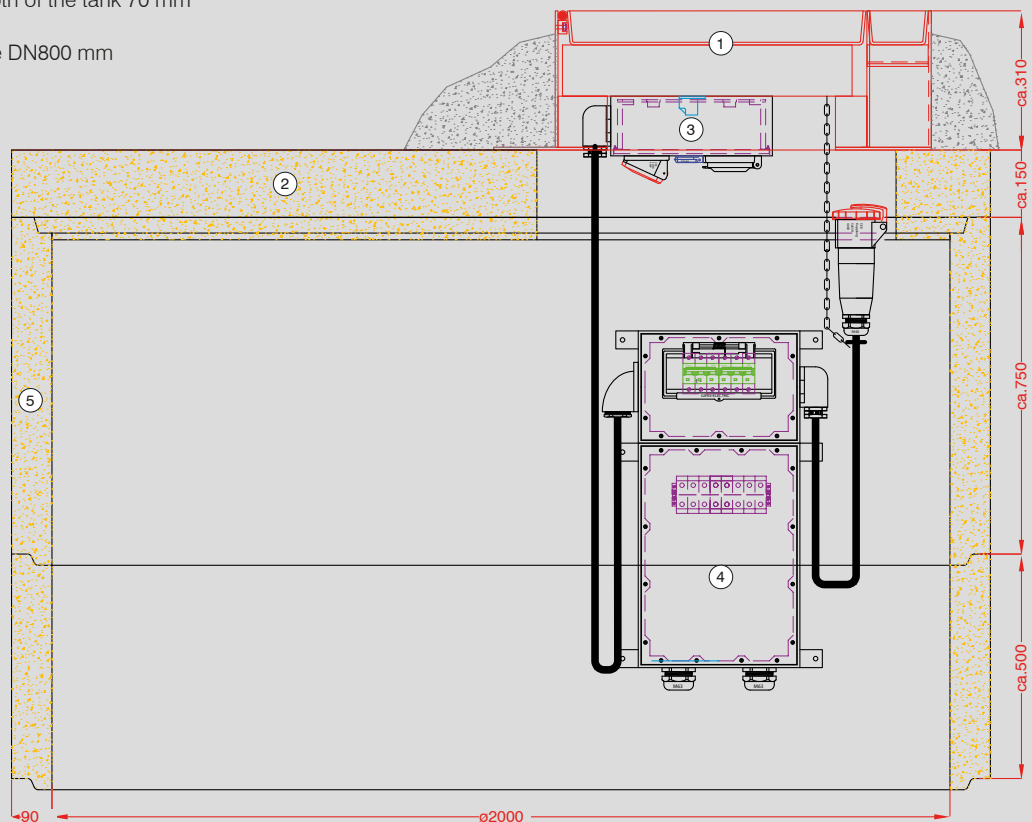


Waldkraiburg

EDP No. 86906

Special models

- ① Stainless steel construction, depth of the tank 70 mm
- ② Flat cover DN2000 with manhole DN800 mm
- ③ Main junction box
- ④ Terminal box
- ⑤ Concrete shaft DN2000



An adequate, compliant foundation, the proper mounting of the shaft (D 400kN load) and adequate drainage must be ensured by the customer.

Terminal distributor:

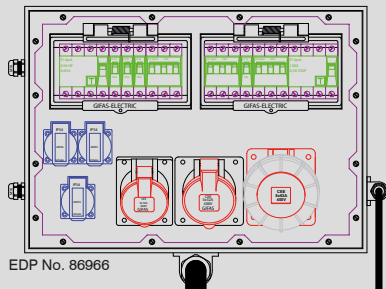
- Different sizes are available according to your individual clamping requirements.
- Aluminium bars affixed to the aluminium rails enable quick and easy installation on the concrete sleeve.



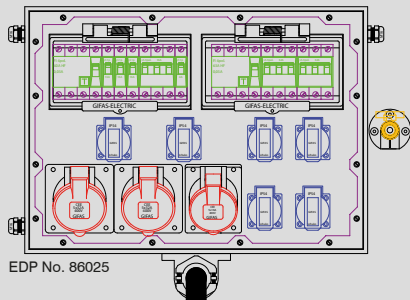
Exhibition centre Salzburg

EDP No. 81064

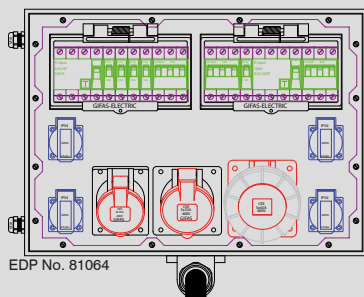
Equipment examples



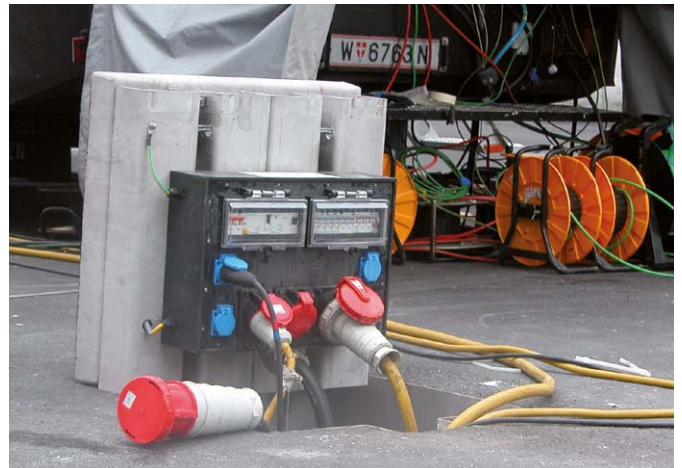
EDP No. 86966



EDP No. 86025



EDP No. 81064



Solid stainless steel construction 720 x 720 mm, max. load C 250kN, gas-spring-assisted opening, shaft cover can be individually filled (depth of the tank 50 mm), distributor in line with customer requirements.



EDP No.109536

Scope of delivery

The stainless steel construction with fillable shaft cover is delivered with a main distributor and terminal distributor, assembled onto a DN600 concrete shaft with a height of 500 mm.

Technical Information

- Closing shaft cover is made by a countersunk, even with the cover hex screw stainless M10 (closing tool is included in the scope of supply).
- Within the shaft cover there are two cable exit insert parts integrated. (Surface: Stainless steel) . Dimension cable exit 80 x 60 mm.
- The cover trough with a depth of 50 mm can be filled individually.
- In the shaft cover there is a self-regulating heating band integrated in order to enable an easy opening also in case of frosting.

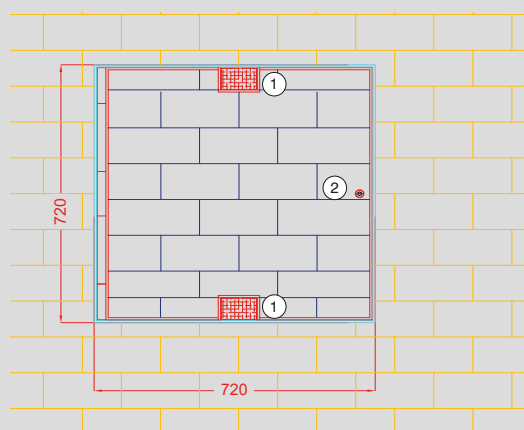
Work to be executed by the customer

- The shaft lid structure is not water-tight in the event of surface water. Sufficient drainage must therefore be ensured by the customer.
- The necessary ground excavation.
- Installation of the construction in accordance with underlying technical and legal standards.
- Filling of cover tray
- Electrical connections must be implemented by a licensed electrical company.

Our strength is in customised solutions!

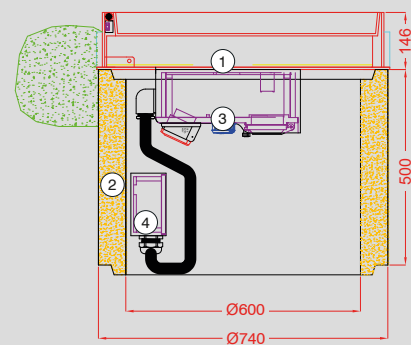
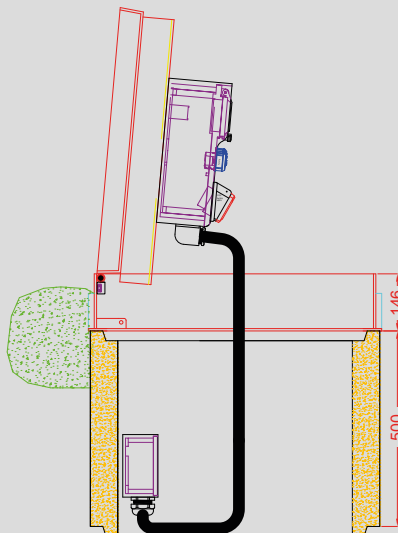
Design the optimum solution for your requirements with our engineers.

- ① Cable outlet
- ② Cover lock system





- ① Stainless steel construction, depth of the tank 50 mm
- ② Concrete shaft DN600 mm H=500 mm
- ③ Main junction box
- ④ Terminal box



An adequate, compliant foundation, the proper mounting of the shaft (C 250kN load) and adequate drainage must be ensured by the customer.

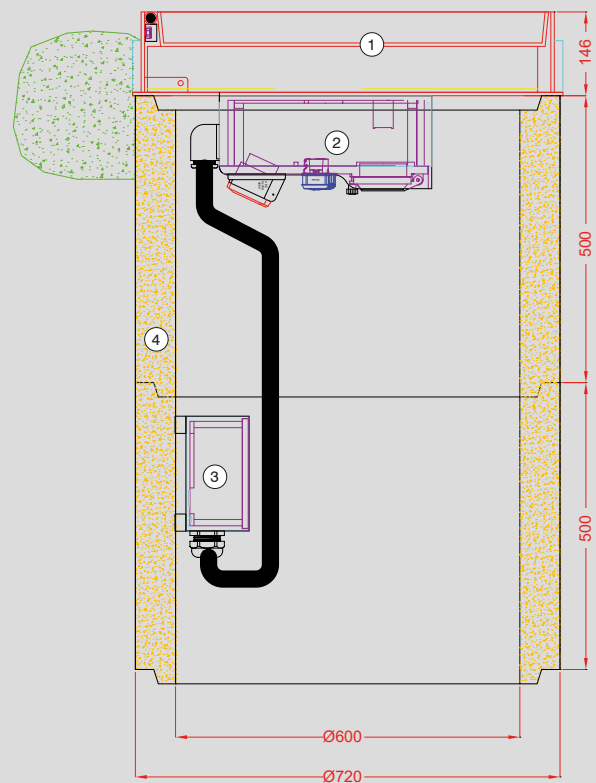
Main junction box

- The body made of vulcanised self extinguishing butyl rubber ensures the utmost security and safety standard.
- The extraordinary insulating properties prevent a temperature based accumulation of condensed water.
- The special rubber composition is resistant against environmental impacts and because of its freedom of aging influences extremely long-living.
- Fuses are put under two shock resistant folding makrolon covers with splashed water protection.
- The 4 wall fittings are insulated against the clamping area and maintain a maximum protection (protective insulation).
- Individual assembly according to your demand, technical surrounding and under consideration of laws and norms.



Special models

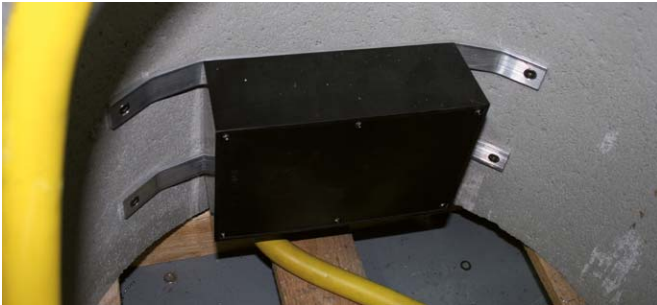
- ① Stainless steel construction, depth of the tank 50 mm
- ② Main junction box
- ③ Terminal box
- ④ Concrete shaft DN600



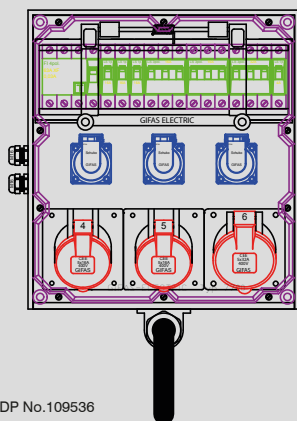
An adequate, compliant foundation, the proper mounting of the shaft (D 400kN load) and adequate drainage must be ensured by the customer.

Terminal distributor

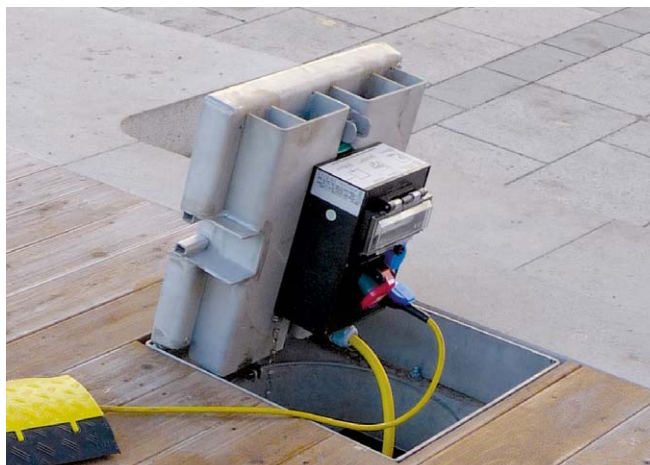
- Different cabinet sizes are available, and the choice depends on the connected load required.
- Aluminium bars affixed to the aluminium rails enable quick and easy installation on the concrete shaft.



Equipment examples



Solid stainless steel construction 540 x 540 mm, max. load D 400kN, gas-spring-assisted opening, shaft cover can be individually filled (depth of the tank 50 mm), distributor in line with customer requirements.



Market town Neumarkt, in Mühlkreis

EDP No. 71286

Scope of delivery

The stainless steel construction with fillable shaft cover is delivered already installed on a DN450 concrete shaft with a height of 570 mm, ready-to-connect and together with a main distributor and clamp distributor terminal distributor.

Technical Information

- The shaft cover is locked using two sunk, lid-level, rust-proof M10 socket screws (closing tool is included in the scope of delivery).
- There is a cable outlet insert integrated within the shaft cover, Cable outlet dimensions: 60 x 40 mm.
- The cover trough, with a depth of 50 mm, can be filled individually.
- A self-regulating heating band has been laid within the shaft cover in order to ensure that opening is possible even at freezing temperatures.

Work to be completed by the customer

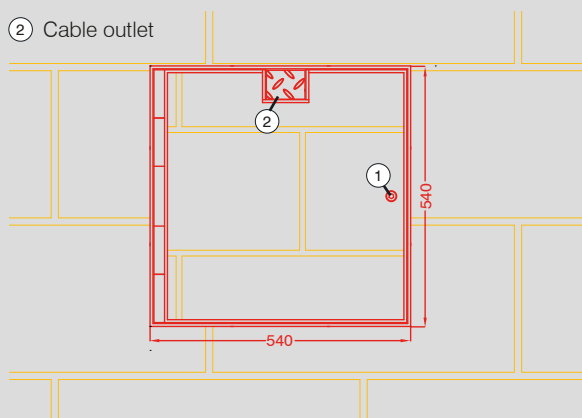
- The shaft lid structure is not water-tight in the event of surface water. Sufficient drainage must therefore be ensured by the customer.
- The necessary ground excavation.
- Installation of the construction in accordance with underlying technical and legal standards.
- Filling of cover tray.
- Electrical connections must be implemented by a licensed electrical company.

Our strength is in customised solutions!

Design the optimum solution for your requirements with our engineers.

① Cover lock system

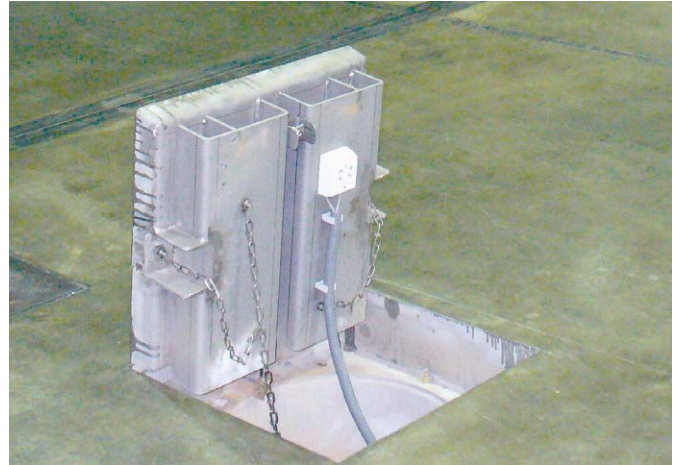
② Cable outlet





Market town Schneegattern

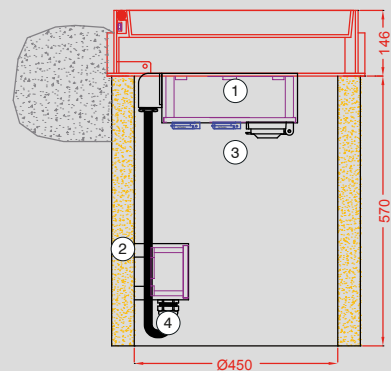
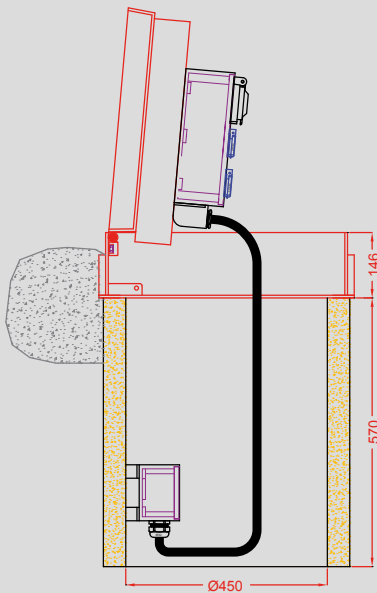
EDP No. 89115



EVG Raaba

EDP No. 80696

- ① Stainless steel construction, depth of the tank 50 mm
- ② Concrete shaft DN450 mm H=570 mm
- ③ Main junction box
- ④ Terminal box



An adequate, compliant foundation, the proper mounting of the shaft (D 400kN load) and adequate drainage must be ensured by the customer.

Main distributor:

- The cabinet made of vulcanized self-extinguishing butyl rubber guarantees the utmost safety in operation.
- The rubber material is resistant to environmental impact and is resistant to ageing and is therefore extremely long-lasting.
- The special rubber composition is resistant against environmental impacts and because of its freedom of aging influences extremely long living.
- The fuse material is installed under two shock-resistant folding makrolon covers, where they are splash-proof.
- The 4 wall fittings are sealed off from the rest of the wiring area and guarantee full protective insulation.
- GIFAS solid rubber distributor: individual assembly in line with your individual requirements and taking into consideration the technical standards.

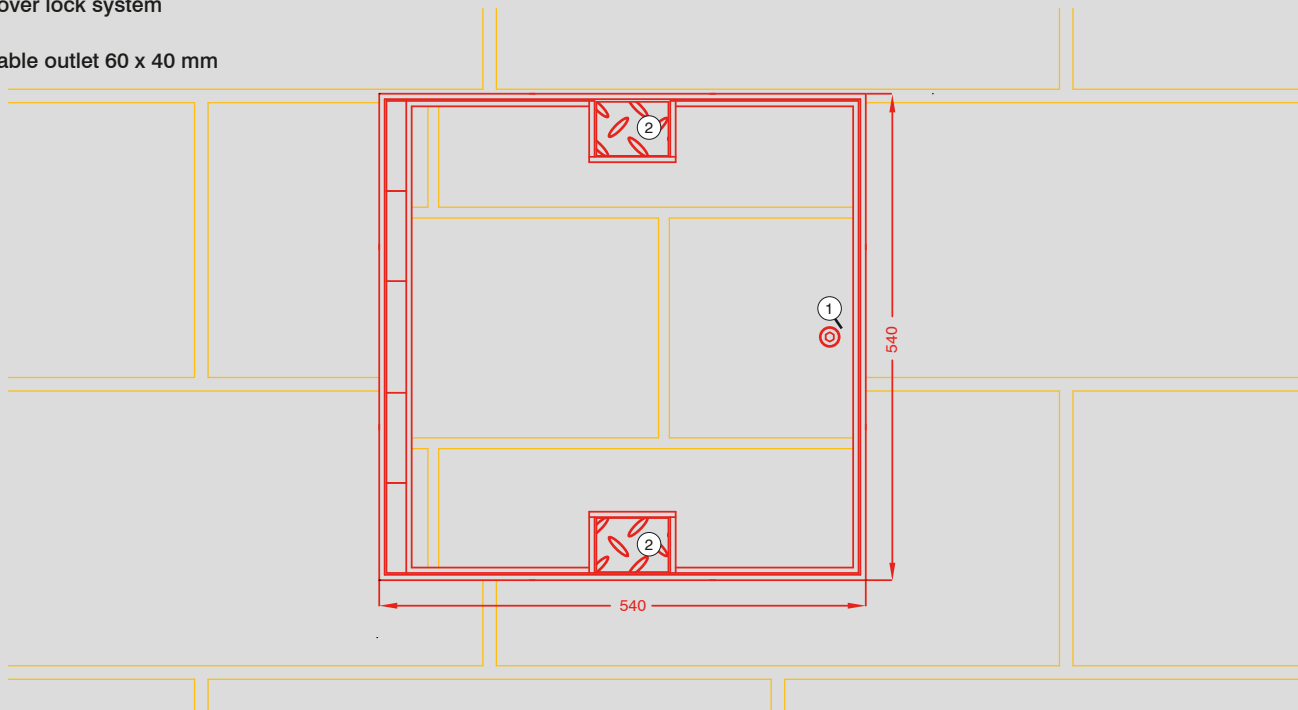


GKB Graz

EDP No. 92668

Special models

- ① Cover lock system
- ② Cable outlet 60 x 40 mm



Clamping box:

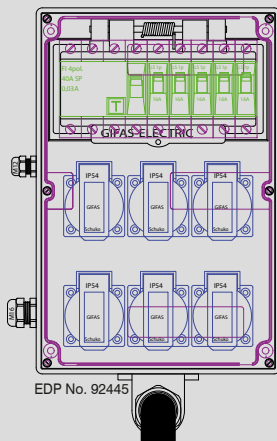
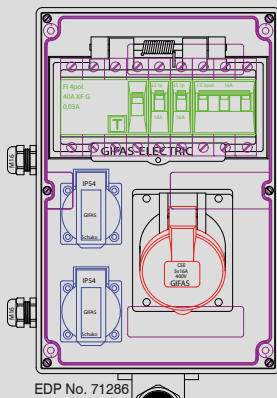
- Different sizes available according to your individual clamping requirements.
- Aluminium bars affixed to the aluminium rails enable quick and easy installation on the concrete sleeve.



Church Square in Pocking

EDP No. 76829

Equipment examples





Market town of Schneegattern: Under-ground energy system PIAZZA 540 with two cable outlets and water connections.



Junkers-Schlössle Götzis: Under-ground distributor PIAZZA 1000 for power supply as well as a manhole.



New place in Klagenfurt: Sewage pit with grill. The shaft can be closed while the waste water hose is used.



Main Station Linz: installed above underground garage (lower depth - 510 mm instead of only 910 mm).



Water supply in / on the shaft or water connection at the shaft cover.



Compressed air connection on the shaft cover.



Drawing out of casting pit on the basis of the required dimensions. Installation of a proper foundation as well as a drainage system.



The stainless steel construction, mounted onto the concrete ring, is prepared for installation. Openings for supply cables need to be cut out of the concrete ring.



Dropping down of complete unit into the prepared casting pit with suitable lifting aid (crane).



Adapting the unit and levelling onto the correct installation depth (lining surface level).



Filling of unit used, and producing a concrete sleeve over all of the stainless steel construction (see technical drawing).



Replenishing the filling tray with filling material adapted to the particular environment (asphalt, concrete, granite, Porphy, and many others ...).

Solid stainless steel construction 200 x 200 mm, max. load C 250 kN.



BMW car dealership in Pressbaum

EDP No. 76636

Areas of application:

Squares, event and industrial halls, courtyards, pedestrians zones, parking areas, hangars and at all locations where energy is supplied in response to demand. Isolating transformers can also be used to execute the illumination of weekly markets, Christmas events and Christmas trees.

Properties:

- Robust, and easy and safe to operate
- For electrical connections
- Cover and frame made of stainless steel
- The cover surface consists of an anti-slip stud plate (can be filled on request)
- The lid is locked using a sunk, lid-level stainless steel casement fastener square, 8 mm (2 keys are included in the scope of delivery)
- Load class C (250kN)
- A cable outlet opening for cables up to 20 mm in diameter is provided in the shaft lid
- Accessible and trafficable even during operation.
- Customized assembly either protective coupling 16A 230V (IP68) unit or solid rubber CEE-socket 5x16A 400V (IP67) or solid rubber CEE-socket 5x32A 400V (IP67) unit
- High level of safety in operation due to the reclosing after start-up. This means optimum safety for pedestrians, as well as moving and stationary traffic and protection against unauthorized access

Scope of delivery:

The stainless steel construction with shaft cover made of anti-slip stud- or cross-grinding plate (can be filled on request) will be delivered installed and ready for connection.



Stud plate



Cross-grinding plate
(anti-slip category)

Technical Information:

- The lid is locked using a stainless steel square casement fastener (8 mm). 2 keys are included in the scope of delivery.
- There is a cable outlet opening integrated in the shaft cover. The cable outlet is for cables up to a diameter of 25 mm.

Work to be completed by the customer:

The shaft lid structure is not water-tight in the event of surface water. Sufficient drainage must therefore be ensured by the customer.

The necessary ground excavation.

Electrical connections must be implemented by a licensed electrical company.



Oberbank Linz Donaulände

EDP No. 89632



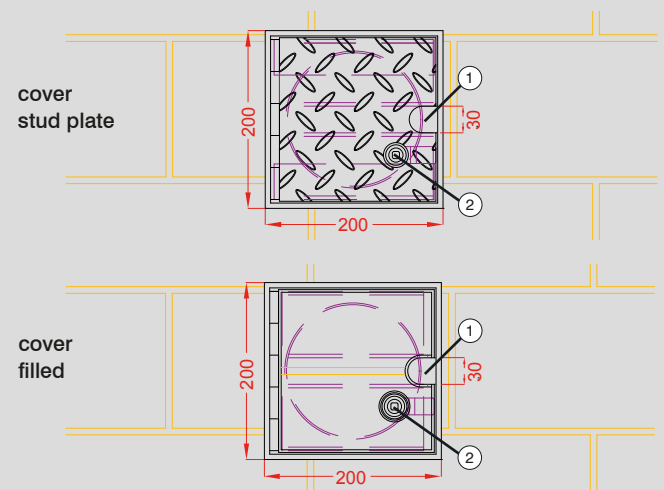
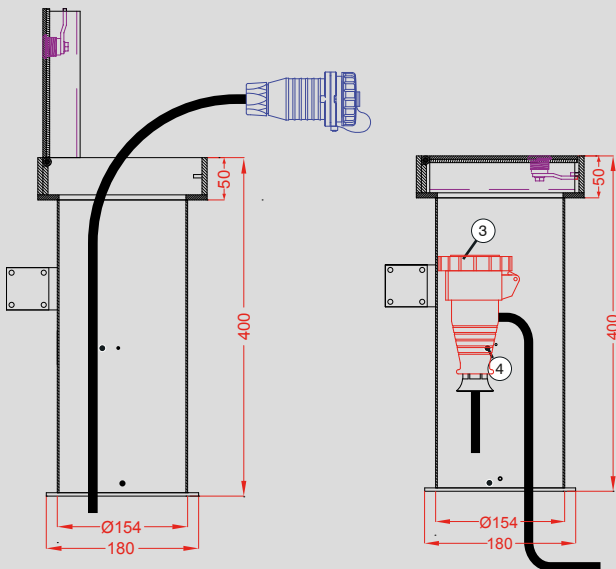
Vineyard Esterhazy Dürnstein

EDP No. 76636

Our strength is in customised solutions!

Design the optimum solution for your requirements with our engineers.

- ① Stainless steel construction with cable exit
- ② Stainless steel square sash fastener
- ③ CEE-plug waterproof 5x16A 400V or 5x32A 400V accordingly Schuko plug waterproof 16A 230V - incl. GIFAS-Proflex-cable
- ④ Bracket for coupling



An adequate, compliant foundation, the proper mounting of the shaft (C 250kN load) and adequate drainage must be ensured by the customer.

Solid stainless steel construction D=324 mm, max. load B 125kN.



GKB Graz

EDP No. 91184

Areas of application:

Squares, event and industrial halls, courtyards, pedestrians zones, parking areas, hangars and at all locations where energy is supplied in response to demand. Isolating transformers can also be used to execute the illumination of weekly markets, Christmas events and Christmas trees.

Properties:

- Under-ground distributor for instances where space is limited.
- In order to ensure safety, the under-ground distributor can be closed when the output is inserted.
- Floor-level installation with a recessed sash lock.
- Very simple secondary installation due to a bore hole.



Scope of delivery:

The stainless steel construction with shaft cover made of anti-slip stud- or cross-grinding plate will be delivered already installed and ready for connection.



Stud plate



Cross-grinding plate
(anti-slip category)

Technical information:

- Additional security due to lifting, swivelling cover – cover does not cause any obstacle when open.
- Solid stainless steel construction with the following dimensions: H x D 490 x Ø324 mm, max. load B 125kN
- Cover material: stainless steel stud plate with sash lock and cable outlet opening.

Work to be completed by the customer:

The shaft lid structure is not water-tight in the event of surface water. Sufficient drainage must therefore be ensured by the customer.

The necessary ground excavation.

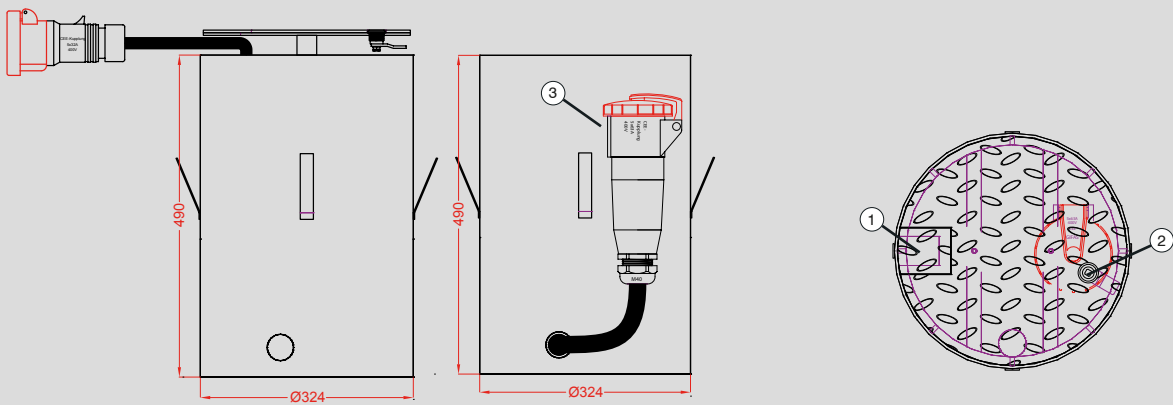
Electrical connections must be implemented by a licensed electrical company.



Our strength is in customised solutions!

Design the optimum solution for your requirements with our engineers.

- ① Stainless steel construction with cable outlet 40 x 55 mm
- ② Stainless steel square sash fastener 4K 8 mm
- ③ CEE-coupling waterproof



An adequate, compliant foundation, the proper mounting of the shaft (B 125kN load) and adequate drainage must be ensured by the customer.

Cast steel construction with round shaft cover diameter = 600 mm and noise absorbing polyethylene (PE) material, load up to D 400kN.



Künz crane construction in Hard at Bregenz

EDP No. 61347

Areas of application:

Squares, event and industrial halls, courtyards, pedestrians zones, parking areas, hangars and at all locations where energy is supplied in response to demand.

Properties:

- Robust, easy to use, safe and secure
- GIFAS solid rubber distributor ensure utmost safety and security
- No problems with condensation
- Free of environmental impacts
- The solid rubber material is resistant to ageing and is therefore extremely long-lasting.
- Manhole cover and upper ring made of steel casting
- Shock-absorbing polyethylene inlay
- Power, water and water connectivity
- Load class D (400kN)
- Cable and hose outlet
- Even accessible and trafficable during operation
- GIFAS solid rubber distributor: individual assembly in line with your special requirements and taking into consideration technical standards.
- High levels of operational safety due to reclosing after start-up.
- This means optimum safety for both pedestrians and stationary or moving traffic, as well as protection against unauthorised access.

Scope of delivery

The complete steel casting construction including main distributor and terminal distributor will be delivered already mounted onto a concrete shaft (H = 500 mm, diameter = 600 mm).

Technical Information:

- Closing of shaft cover is effected by an integrated spring mechanism. Opening procedure is assisted by a special tool (included at delivery).
- Within the shaft cover there is a cable exit insert part integrated (dimensions: 90 x 70 mm).
- Opening and closing procedure is assisted by a gas spring.
- The top is made of steel casting and can not be filled with stones, asphalt or other materials.

Work to be completed by the customer:

- Ensuring a proper drainage. Please bear in mind that the top is not water tight. There might be some water within the shaft.
- The necessary ground excavation.
- Installation of the construction in accordance with underlying technical and legal standards.
- Electrical connections must be implemented by a licensed electrical company.



Assembly area Rosenbauer International

EDP No. 76920



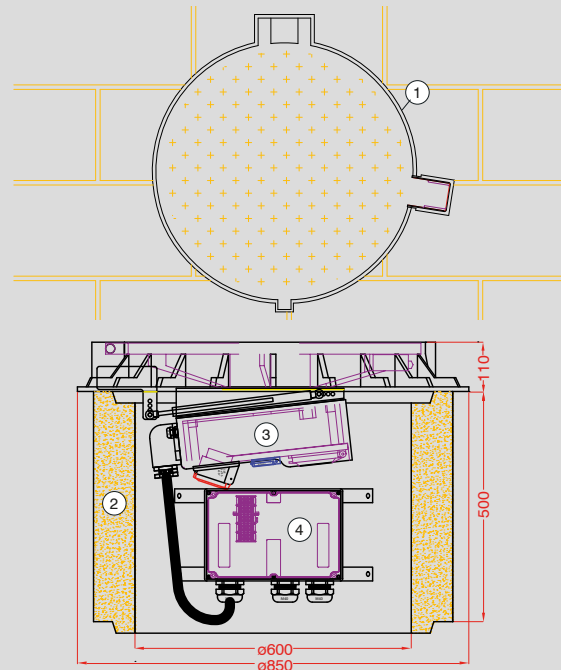
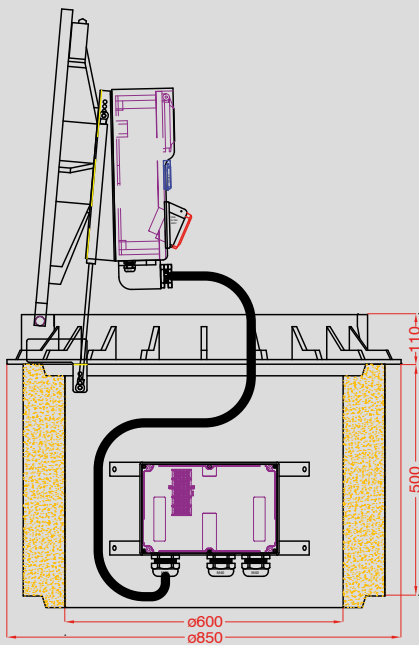
Pizza & Baguette in Rottenbach

EDP No. 62198

Our strength is in customised solutions!

Design the optimum solution for your requirements with our engineers.

- ① Cast steel construction
- ② Concrete shaft DN600 mm H = 500 mm
- ③ Main junction box
- ④ Terminal box



An adequate, compliant foundation, the proper mounting of the shaft (D 400kN load) and adequate drainage must be ensured by the customer.

Main distributor:

- The cabinet made of vulcanized self-extinguishing butyl rubber guarantees the utmost safety in operation.
- The excellent insulating properties prevent any temperature-based accumulation of condensation.
- The rubber material is resistant to environmental impact and is resistant to ageing and is therefore extremely long-lasting.
- The fuse material is installed under two shock-resistant folding makrolon covers, where they are splash-proof.
- The 4 wall fittings are sealed off from the rest of the wiring area and guarantee full protective insulation.
- GIFAS solid rubber distributor: individual assembly in line with your individual requirements and taking into consideration the technical laws and standards.

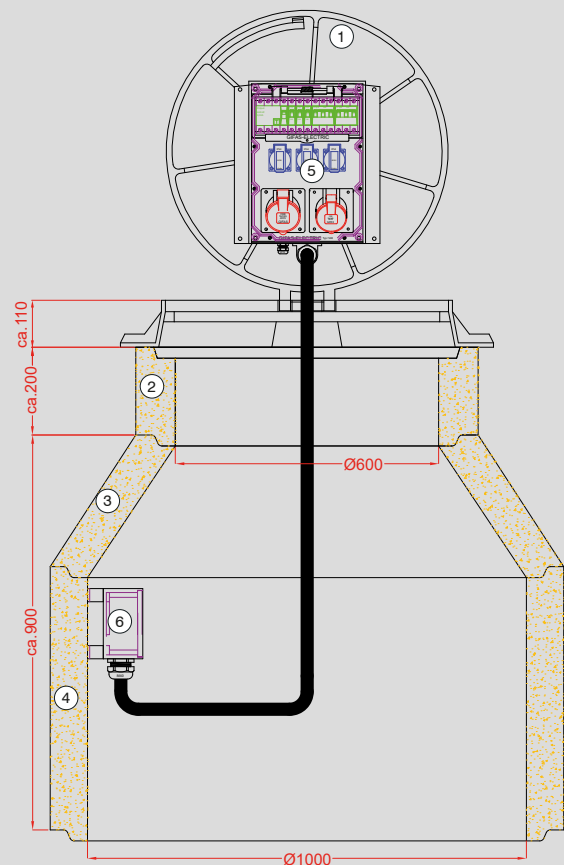


Carrier Gartner in Lambach

EDP No. 67272

Special models

- ① Cast steel construction
- ② Concrete shaft DN600 mm
- ③ Concrete shaft cone DN600 / 1000 mm
- ④ Concrete shaft DN1000 mm
- ⑤ Main junction box
- ⑥ Terminal box



An adequate, compliant foundation, the proper mounting of the shaft (D 400kN load) and adequate drainage must be ensured by the customer.

Terminal distributor:

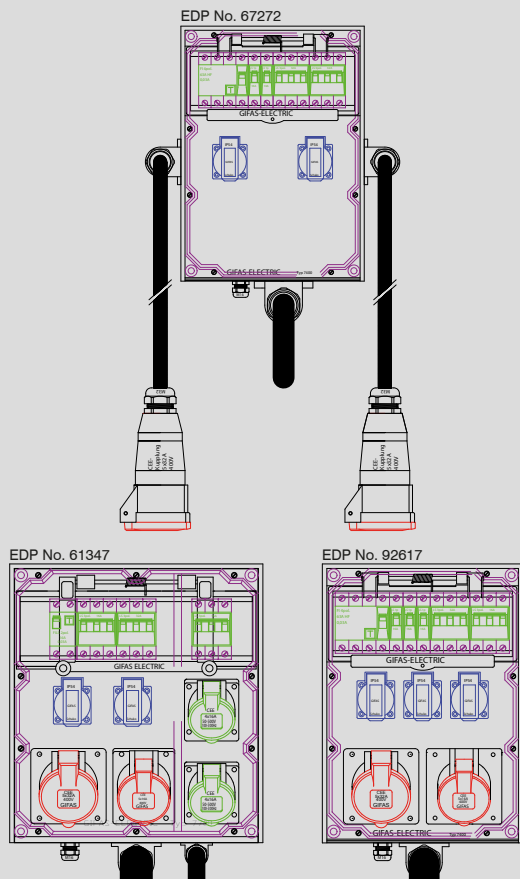
- Different sizes are available, in line with your individual clamping requirements.
- Aluminium bars affixed to the aluminium rails enable quick and easy installation on the concrete sleeve.



Carrier Gartner in Lambach

EDP No. 67272

Equipment examples



CONTACT US



GIFAS
ELECTRIC

GIFAS ELECTRIC
Gesellschaft m.b.H
Strass 2
5301 Eugendorf
AUSTRIA

🌐 www.gifas.at
✉ verkauf@gifas.at
☎ +43 6225/7191-0
☎ +49 8654/404-2000

Subject to technical changes 04/2018/1.0

SYSTEMATIC QUALITY

Energy Columns



Power bollard Rondo

Application examples

Pages 4 - 13

Power bollard
Rondo



Pages 4 - 5

Rondo 200



Pages 6 - 7

Rondo 300



Pages 8 - 9

Rondo 500



Pages 10 - 11

Rondo 300/200
removable



Page 12

Application
examples



Page 13

Aluminium Energy columns

Pages 14 - 19

Aluminium
Energy columns



Pages 14 - 15

GAS 160



Pages 16 - 17

GAS 100



Pages 18 - 19

Energy columns Special models

Application examples

Pages 20 - 21

Energy columns



Page 20

Application
examples



Page 21





Areas of application

- Village Squares
- City Squares
- Town Squares
- Festival grounds
- Pedestrian Zones
- Courtyards
- Gardens and Parks
- Parking Areas
- Marinas
- etc.

Also practical as protection against thoroughfare and path safeguarding in combination with secure and trouble-free energy supply.

Features

- Power bollards to be mounted permanently in 3 different sizes, diameter D=200 mm, 300 mm or 500 mm
- V2A-stainless steel construction, powder-coated, available with textured surface in the colors aluminium white and pine green or with satin finish in all the standard RAL-colors
- Special colors available on request
- Door can be locked with cylinder lock
- Power supply built into the bollard
- Distributor cabinet made of vulcanized self-extinguishing butyl rubber
- Fuse material by shockproof makrolon
- In closed state power supply via cable outlet insert underneath the door
- High operating safety and protection against unauthorized access and vandalism
- Individual distributor fittings as per the client's specification, technical requirements and regulations





Rondo 200 -
Bower plant Abwinden Asten

EDP No. 89332



Technical data

Outer dimensions of the bollard	D = 204 mm, H = approx. 1200 mm
Weight of the bollard	approx. 25 kg
Material	stainless steel V2A
Surface	powder-coated textured in the colors aluminium white and pine green or with satin finish in all standard RAL-colors
Lock	door can be locked with a cylinder lock (incl. 5 keys), half cylinder also available

Functionality

The bollard mounted on a permanently installed floor outlet (concrete base on site), or on a bollard base unit, using a flange plate is connected to the power grid. Once this has been done, the bollard is already operative and ready to use.

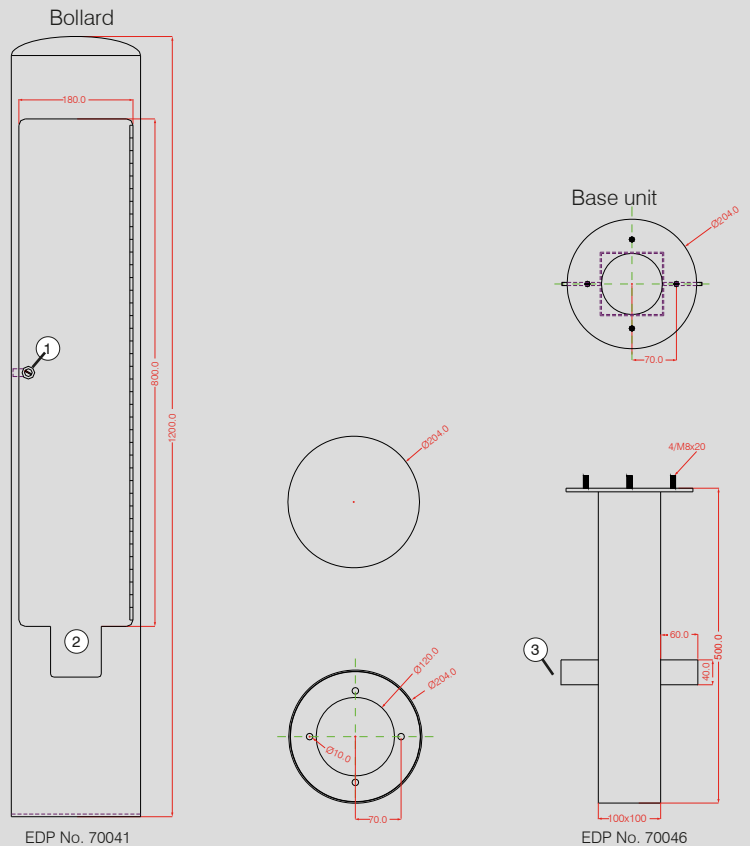
Optional base unit

The stainless steel bollard base unit with anti-twist device is only used if no concrete base is available on site for installing the bollard. The digging, as well as the proper and standardized installation, of the bollard base unit must be executed by the customer. After completion of these works the bollard is ready for use.

Water supply connection

As an option it is possible to integrate a water supply piece with ball valve and hose connection piece into the base unit. In this case the bollard base unit including water supply connection will be supplied mounted and ready for connection. The water supply piece with ball valve must be provided by the client (it is also possible to supply protection equipment against frost for the water connection).

- ① Cylinder lock with 5 keys
- ② Cable outlet insert 80 x 80 mm
- ③ Anti-twist device





Rondo 200 -
School center, Wals



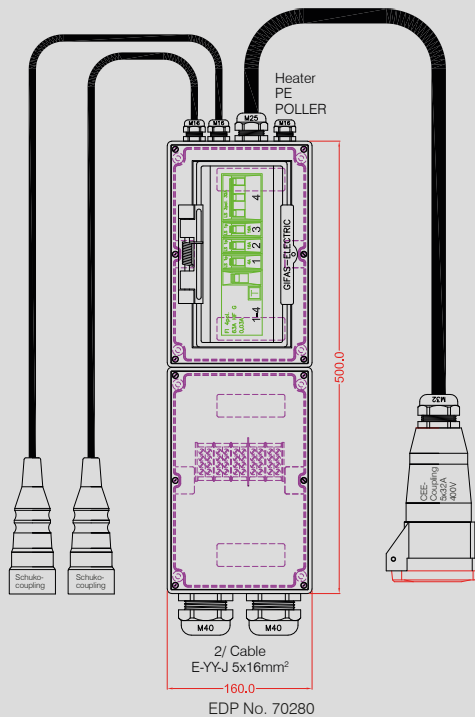
EDP No. 72730



Our strength is in customised solutions!

Design the optimum solution for your requirements with our engineers.

Equipment examples:



Socket-distributor model

The cabinet made of vulcanized self-extinguishing butyl rubber guarantees the utmost safety in operation. The excellent insulating properties prevent any temperature-based accumulation of condensation. The rubber material is resistant to environmental impact and is resistant to ageing and is therefore extremely long-lasting.

The fuse material is installed under two shock-resistant folding makrolon covers, where they are splash-proof. The 4 wall fittings are sealed off from the rest of the wiring area and guarantee full protective insulation.

Equipment examples

Socket distributor Series 2516
Dimensions: 500 x 160 x 90 mm (without fittings)

Entry:

- 1/ main line clamp 5pol. 16 mm²
- 1/ cable glands M16 for heater (water)
- 2/ cable glands M40 for supply cables E-YY-J 5x16 mm² (provided on site)

Equipment:

- 1/ solid rubber CEE coupling, 5x32A 400V
- 2/ Schuko couplings 16A 230V

Fusing:

- 1/ RCD 4-pole 63/0,03A type G/A
- 2/ MCB 1-pole 16A
- 1/ MCB 3-pole 32A

Heating strip for water supply connection in base unit (optional).
Junction box wired ready for use firmly fixed in the bollard.



Rondo 300 -
Municipality St. Marienkirchen / Polsenz

EDP No. 89081

Technical data

Outer dimensions of the bollard	D = 304 mm, H = approx. 1200 mm
Weight of the bollard	approx. 45 kg
Material	stainless steel V2A
Surface	powder-coated, textured, in the colors aluminium white and pine green or with satin finish in all the standard RAL-colors
Lock	bollard door can be locked using a cylinder lock (incl. 5 keys), optional with half cylinder

Functionality

The bollard mounted on a permanently installed floor outlet (concrete base on site), or on a bollard base unit, using a flange plate is connected to the power grid. Once this has been done, the bollard is already operative and ready to use.

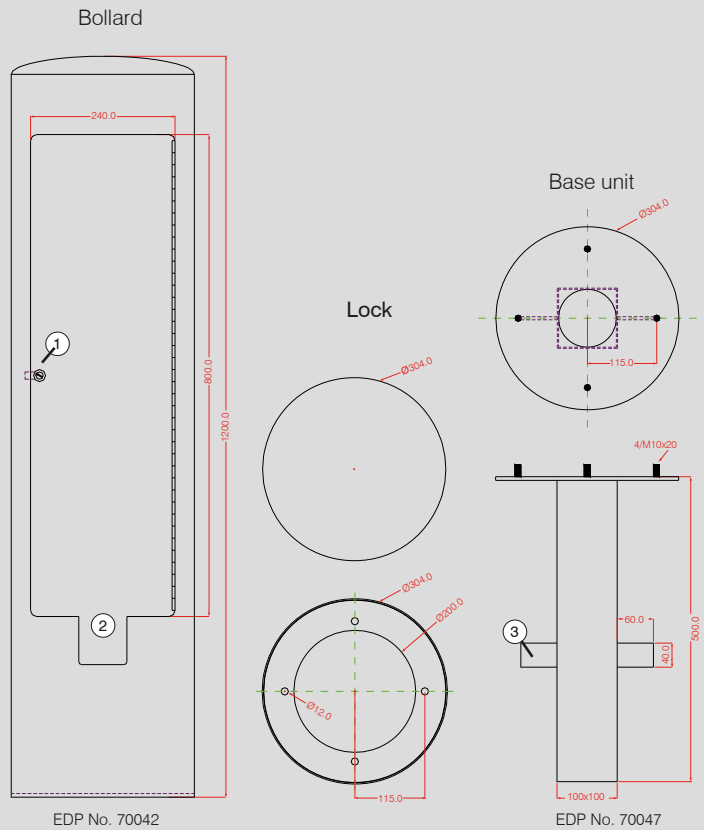
Optional floor-mounting part

The stainless steel bollard base unit with anti-twist device is only used if no concrete base is available on site for installing the bollard. The digging, as well as the proper and standardized installation, of the bollard base unit must be executed by the customer.

Water and sewage connection

A water supply piece with ball valve and hose connection piece are also possible, as well as a mineral-reinforced, hot-water-resistant DN50 sewage tube. 1 mains-water connection with ball valve and sewage connection must be provided on site (protection equipment against frost for the water connection can also be supplied).

- ① Cylinder lock with 5 keys
- ② Cable outlet insert 80 x 80 mm
- ③ Anti-twist device





Rondo 300 -
Municipality, Naarn, Marchland

EDP No. 74833



Our strength is in customised solutions!

Design the optimum solution for your requirements with our engineers.

Equipment examples:

Socket-distributor model

The cabinet made of vulcanized self-extinguishing butyl rubber guarantees the utmost safety in operation. The excellent insulating properties prevent any temperature-based accumulation of condensation. The rubber material is resistant to environmental impact and is resistant to ageing and is therefore extremely long-lasting.

The fuse material is installed under two shock-resistant folding makrolon covers, where they are splash-proof. The 4 wall fittings are sealed off from the rest of the wiring area and guarantee full protective insulation.

Equipment examples

Socket distributor Series 3020
Dimensions: 600 x 200 x 110 mm (without fittings)

Entry:

- 1/ main line clamp 5pol. 16/25 mm²
- 2/ cable glands M40 for power supply cables E-YY-J 5x25 mm² (provided on site)

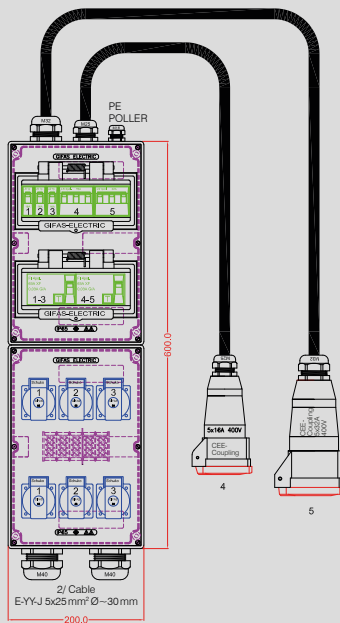
Equipment:

- 1/ solid rubber CEE coupling 5x32A 400V
- 1/ solid rubber CEE coupling 5x16A 400V
- 6/ Schuko sockets 16A 230V

Fusing:

- 1/ RCD 4-pole 63/0.03A type G/A
- 1/ MCB 3-pole 32A
- 1/ MCB 3-pole 16A
- 1/ RCD 4-pole 63/0.03A type G/A
- 3/ MCB 1-pole 16A

Heating strip for water supply connection in base unit (optional).
Plug distributor wired ready for use permanently installed in the bollard.



EDP No. 74112



Rondo 500 -
KUKO Rosenheim

EDP No. 123470

Technical data

Outer dimensions of the bollard	D=508 mm, H = approx. 1500 mm
Weight of the bollard	approx. 65 kg
Material	stainless steel V2A
Surface	powder-coated textured in the colors aluminium white and pine green or with satin finish in all standard RAL-colors
Lock	Bollard door lockable with swivel lever for half-cylinder (half-cylinder not included)

Functionality

The bollard mounted on a permanently installed floor outlet (concrete base on site), or on a bollard base unit, using a flange plate is connected to the power grid. Once this has been done, the bollard is already operative and ready to use.

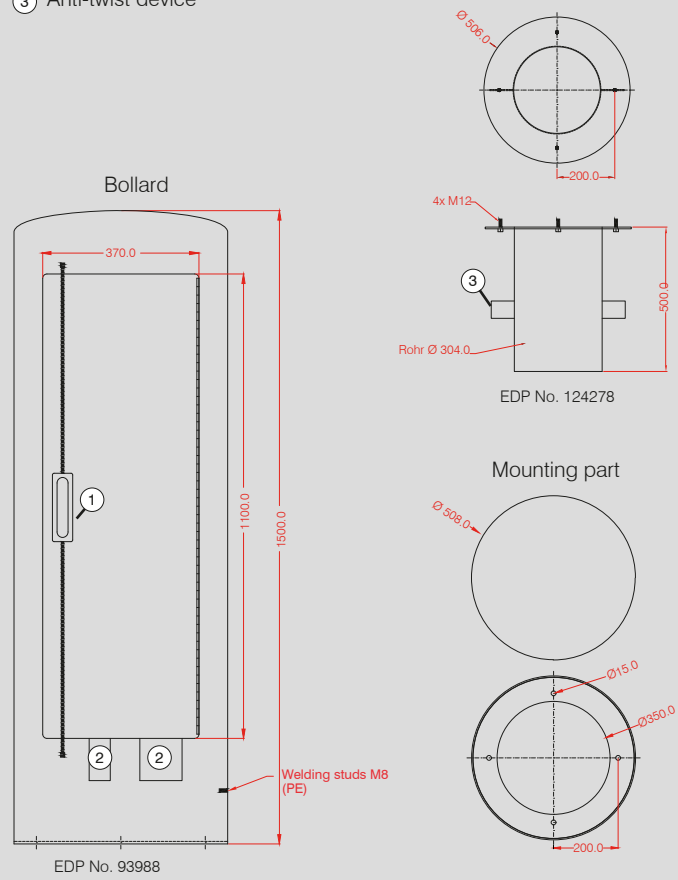
Optional floor-mounting part

The stainless steel bollard base unit with anti-twist device is only used if no concrete base is available on site for installing the bollard. The digging, as well as the proper and standardized installation, of the bollard base unit must be executed by the customer.

Water and sewage connection

A water supply piece with ball valve and hose connection piece are also possible, as well as a mineral-reinforced, hot-water-resistant DN50 sewage tube. 1 mains-water connection with ball valve and sewage connection must be provided on site (protection equipment against frost for the water connection can also be supplied).

- ① Swivel lever for half-cylinder (half-cylinder not included)
- ② Cable outlet insert 50 x 100 mm
Cable outlet insert 100 x 100 mm
- ③ Anti-twist device

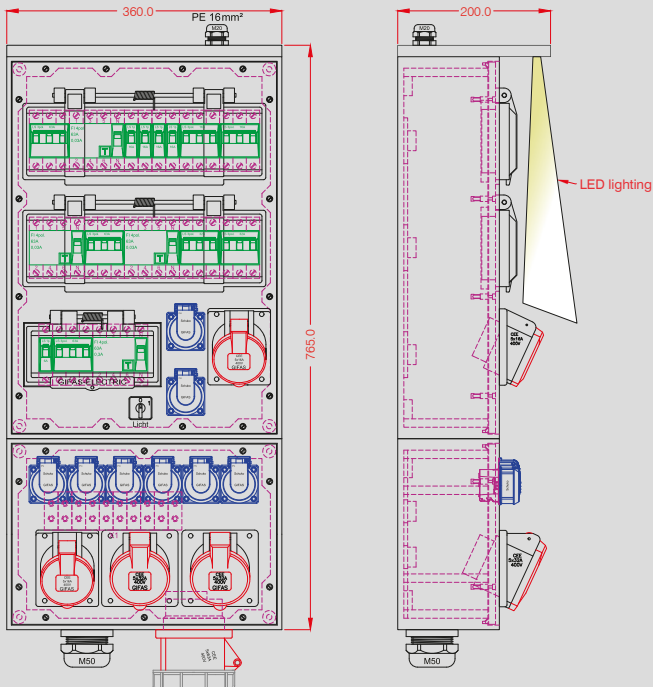




Our strength is in customised solutions!

Design the optimum solution for your requirements with our engineers.

Equipment examples:



Socket-distributor model

The cabinet made of vulcanized self-extinguishing butyl rubber guarantees the utmost safety in operation. The excellent insulating properties prevent any temperature-based accumulation of condensation. The rubber material is resistant to environmental impact and is resistant to ageing and is therefore extremely long-lasting.

The fuse material is installed under two shock-resistant folding makrolon covers, where they are splash-proof. The wall fittings are sealed off from the rest of the wiring area and guarantee full protective insulation.

Equipment examples

Socket distributor Series 3800 / 7800
Dimensions: 765 x 360 x 133 mm (without fittings)

Entry

- 1/ main line clamp 5 pol. 50 mm²
- 1/ cable glands M50 für power supply cables E-YY-J 5x25 mm² (provided on site)

Equipment

- 1/ CEE socket 5x63A 400V
- 2/ solid rubber CEE socket 5x32A 400V
- 2/ solid rubber CEE socket 5x16A 400V
- 8/ Schuko couplings 16A 230V
- 1/ LED Lighting

Fusing

- 3/ RCD 4pol. 63/0,03A type G/A
- 1/ RCD 4pol. 63/0,3A type S/A
- 3/ MCB 3pol. 63A
- 2/ MCB 3pol. 32A
- 2/ MCB 3pol. 16A
- 4/ MCB 1pol. 16A
- 1/ MCB 1pol. 6A

Heating strip for water supply connection in base unit (optional).
Junction box wired ready for use firmly fixed in the bollard.



Rondo 300 removable -
City of Eggenfelden



EDP No. 86431



This bollard design option offers the possibility of variable use of the power supply unit.

Example

A market square is equipped with 20 base units and 8 power bollards. Depending on the occasion, the power bollards can now be positioned wherever the actual need is.

Advantages

- Cost saving, as only 8 power bollards must be procured for 20 fitting units; these power bollards can be individually positioned wherever they are needed.
- The bollards can be removed during periods when they are not needed and can be stored at a different location.
- The use of power bollards means that it is not necessary to lay many metres of exposed cables, and many safety hazards are thus avoided.



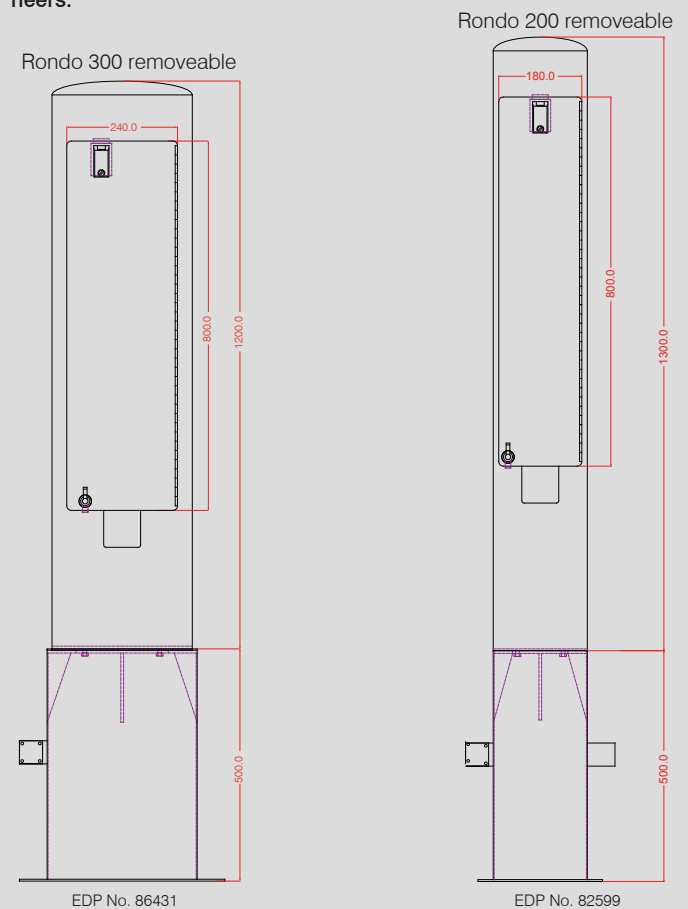
Rondo 200 removable -
Kutschkermarkt / Vienna



EDP No. 82599

Our strength is in customised solutions!

Design the optimum solution for your requirements with our engineers.





Rondo 200 -
for the charging of electric cars
Car dealer Schöndorfer / Gallneukirchen

EDP No. 74207



Rondo 200 -
FMZ M-City Mistelbach

EDP No. 74146



Rondo 300 - with water connection and heating
for protection against frost Sartrouville Square, Waldkraiburg

EDP No. 86985



Rondo 300 - special construction
Brunnenmarkt / Vienna

EDP No. 90177



Rondo 300 - with wind-up device for extension cords
Austrian Railways



EDP No. 74533



Material of the future

Today pure functionality is no longer the only aspect taken into consideration – the design of the electro-technical equipment used is becoming increasingly important, particularly in office buildings, but also in production plants and workshops, such as in the automobile industry or mechanical engineering plants.

Functionality and attractive design

Other advantages include the high resistance to all external influences, low weight as well as high adaptability in use. The fact that the energy columns are easy to position ensures a trouble free, safe and well-engineered feed of energy and data technology in the workplace, whether this comes from the ceiling or from the floor.

Range of applications

- Entrance gates
- Parks
- Gardens
- Banks
- Offices
- Medical practices
- Administrative buildings
- Entrance halls
- Living quarters
- Industrial plants
- Swimming pools
- Conservatories
- Railway stations
- Airports etc.

**Premium-quality aluminium –
Weather-resistant, impact-proof and corrosion-resistant**

Features

The premium aluminium range is also well-known due to the strength of GIFAS products.

- The covered aluminium profiles provide protection against water and moisture.
- All parts, and even accessories, are manufactured to be extreme robust.
- The profile cover is pressed or bolted at the top, and bolted at the bottom, and also sealed for outdoor use using a rubber gasket. This guarantees the highest levels of quality and safety.
- The height of the columns can be adjusted up to 6 metres according to the wishes and requirements of the customer.
- The easy-care surface is stain-resistant.
- Type of protection: for outdoor use: IP54 (with the appropriate fittings), for indoor use: IP20.





GAS 100 - Office park airport Vienna

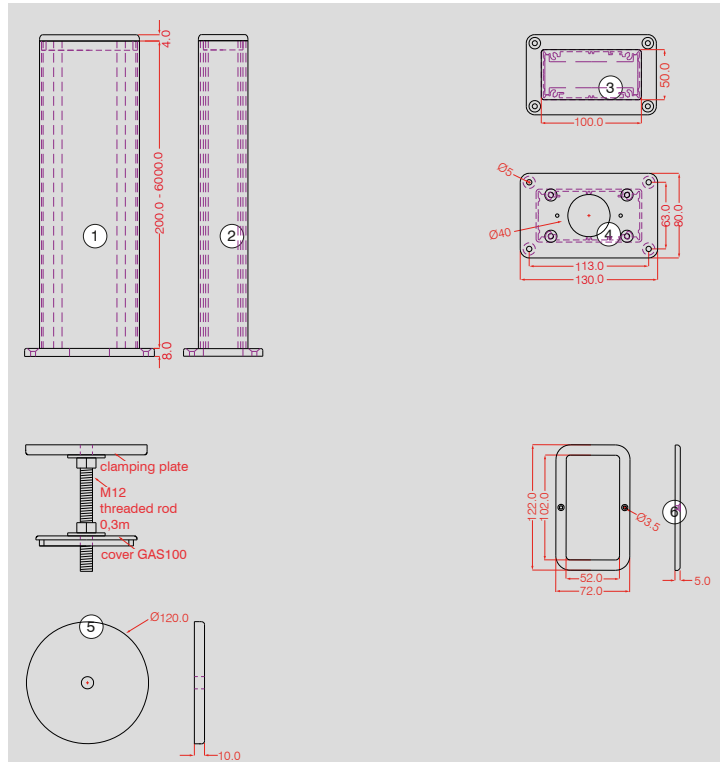
Features

- The small energy column GAS 100 enables the installation of all standard programs and permits different drilling templates for high levels of adaptability, as well as the use of multiple and single frames.
- Connections from the ceiling can be drilled and fitted up to a height of 6 metres according to individual requirements.
- The column is suitable for indoor and outdoor use.
- For floors made of ceramics or tiles, which need to be cleaned with water, we offer the column of IP54 protection category.
- The attractive design is appreciated in offices too, as there is also the possibility of integrating data and telephone systems.
- This is the ideal solution for power distribution in production halls and workshops, especially due to the possibility of fitting it to low-voltage supply systems, as well as the possibility of data processing modules and control and signal devices, etc.
- As per the customer specification, also powder-coated in standard RAL colors.
- The aluminium column successfully meets the outdoor requirements due to its non-corrosive properties and its high resistance to environmental influences.



Scope of delivery

- Aluminium column
- Base and mounting plate
- Connecting terminal up to 2.5 mm²
- Mounting screws for the standard fittings range
- Mounting screws for the base plate incl. brass rawl plugs
- If necessary, with equipment (switches, sockets, etc.)



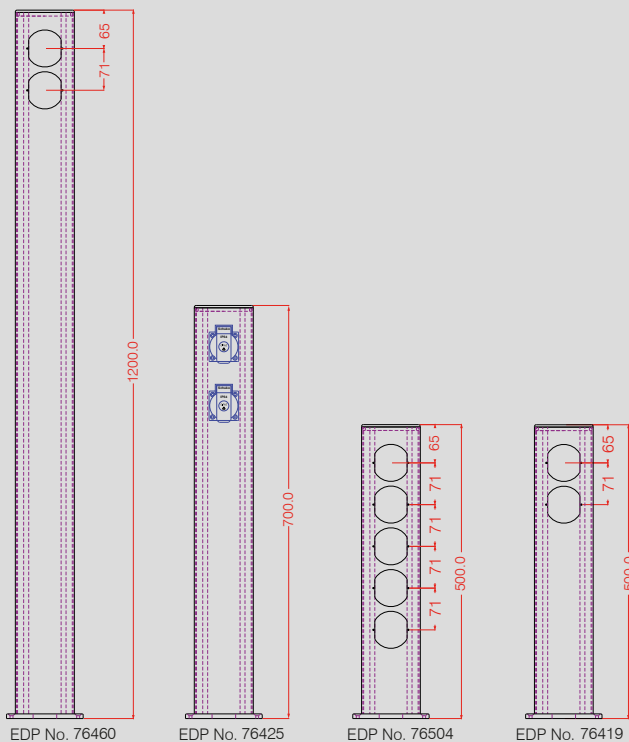
- 1 Front view
- 2 Side view
- 3 View from above
- 4 View from below
- 5 Fastening device
- 6 Sleeve



Our strength is in customised solutions!

Design the optimum solution for your requirements with our engineers.

Equipment examples:



Technical data

Material

- aluminium, silver-anodized
- mounting devices from V2A

Type of protection

- IP20 – no protection against humidity (e.g. for offices)
- IP54 – splash-proof (with the appropriate fittings)

Dimensions

- 100 x 50 mm covered aluminium profile
- Length as per the customer specification (from 0.2 m up to 6 m)

Equipment

- on one side with all the standard device programs

Color

- As per the customer specification, also powder-coated in standard RAL colors.

Connecting terminal with tension spring technology

- up to 2.5 mm²

Base plate including:

- 4 M5 stainless steel mounting screws incl. brass rawl plugs

Fastening device for ceiling connections consisting of:

- aluminium plate
- threaded rod M12
- nuts and U-bolts



Sleeve for double ceilings and double floors





GAS 160 - Vienna Fairground access control



GAS 160 - Treibacher Industrie AG workshop

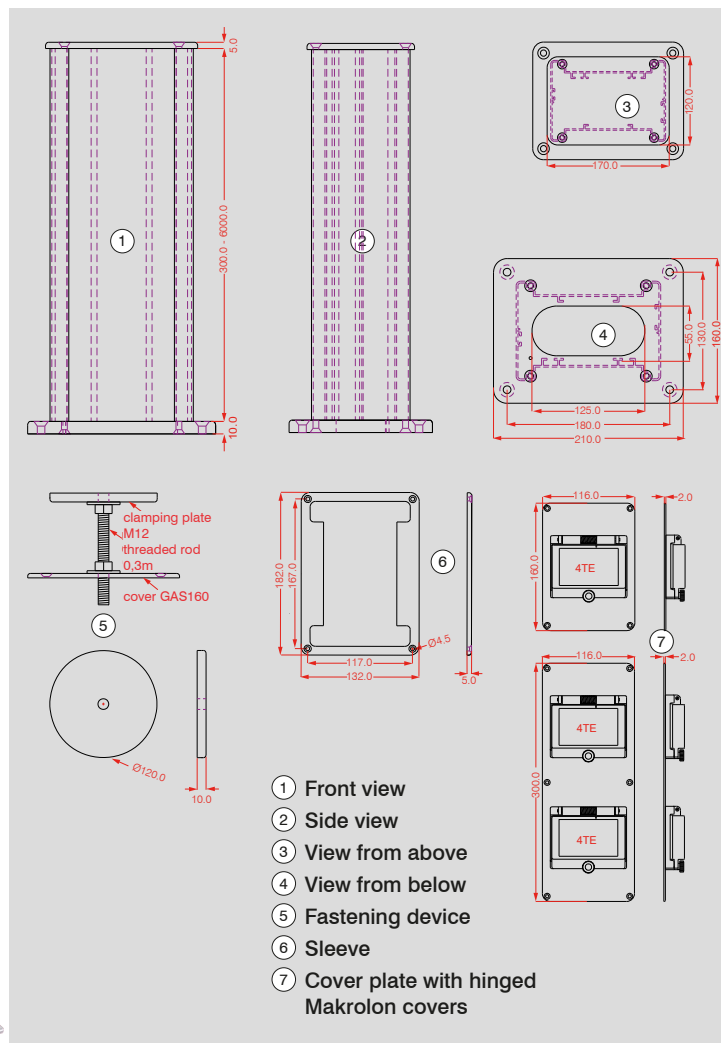
Features

- Versatile and particularly robust aluminium column, which can be individually equipped on all four sides according to individual requirements.
- Ceiling connections can be drilled and fitted up to a height of 6 meters according to individual requirements.
- One special option is the ceiling-connection version using covered aluminium profiles for a vertical connection technique. This makes feeding from both sides possible. The profile provides high levels of stability and the fittings are also protected.
- The column is suitable for indoor (type of protection IP20) and outdoor (type of protection IP54) use.
- A separating plate is inserted to separate the different circuits.
- This is the ideal solution for power supply in production halls and workshops, especially due to the possibility of adding a connection for compressed air, fitting in low-voltage supply systems and data-processing modules as well as control and signal devices, CEE-sockets up to 32A, etc.
- The attractive design is appreciated in offices too, as there is also the possibility of integrating data and telephone systems.
- As per the customer specification, also powder-coated in standard RAL colors.
- The aluminium column successfully meets the outdoor requirements because of its non-corrosive properties and its high level of resistance against environmental influences.



Scope of delivery

- Aluminium column
- Base and mounting plate
- Connecting terminals up to 16 mm²
- Mounting screws for the standard fittings range
- Mounting screws for the base plate incl. brass rawl plugs
- If necessary, with equipment (CEE built-in sockets, fuses, etc.)





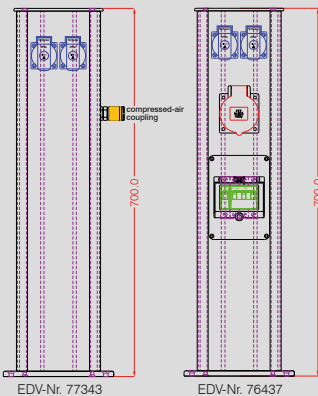
GAS 160 - for the charging of electric cars
Vorarlberger power plants, Bregenz



EDP No.860409
Aluminium post combination Type GAS 160



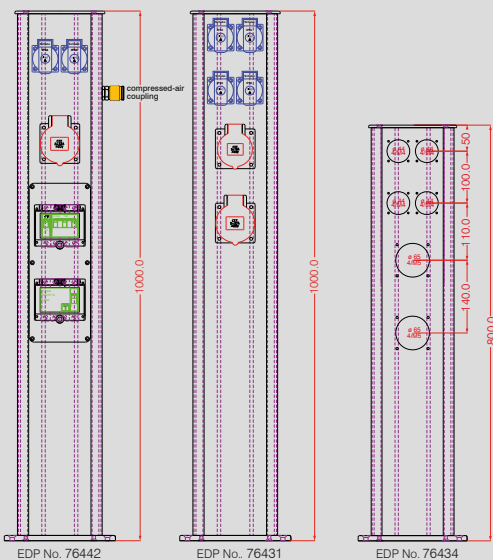
EDP No. 860412



Our strength is in customised solutions!

Design the optimum solution for your requirements with our engineers.

Equipment examples:



Technical data

Material

- aluminium, silver-anodized
- mounting devices from V2A

Type of protection

- IP20 – no protection against humidity (e.g. for offices)
- IP54 – splash-proof (with the appropriate fittings)

Dimensions

- 160 x 110 mm covered aluminium profile
- Length as per customer specification (from 0.3 m up to 6.0 m)

Equipment

(possible on all four sides as per the customer specification)

- On two sides with all standard device programs
- On two sides with all CEE built-in sockets
- Fusing: safety switch and RCD
- Compressed air connection. ¼ inch with up to two one-hand quick action couplings
- Top light

Color

- As per customer specification, also powder-coated in standard RAL colors.

Connecting terminals

- up to 16 mm²

Base plate including

- 4 stainless steel M8 mounting screws incl. brass rawl plugs

Fastening device for ceiling connections consisting of:

- aluminium plate
- M12 threaded rod
- nuts and U-bolts

Sleeve for double ceilings and double floors



Our name stands for individual, tailor-made solutions that fully meet our customers' requirements. We use our extensive knowledge and decades of experience in electro-technical products to produce customer- and system-based solutions.

During close cooperation with our customers, we also of course develop solutions that diverge from standard energy columns such as RONDO, GAS 100 or GAS 160.

On this double page, you see some examples of energy columns for industry, energy suppliers, tourism, communities, cities, etc., which have been manufactured as per the individual customers' specification.



Stainless steel socket distributor - TIWAG Jenbach

EDP No. 89783



Verbund AHP power plant Abwinden-Asten



EDP No. 83249



Stainless steel distributors for shipping piers
Verbund power plant Abwinden-Asten

Initial situation:

The steel boxes previously in use did not correspond with the newly introduced ÖVE-regulations. The equipment was no longer sufficient and the boxes were in a very poor condition.

GIFAS solution:

For a long-lasting solution we, together with our customer, developed stainless steel boxes with solid rubber distributors which amongst others were equipped with Marechal special connectors (250A).



EDP No. 83249



EDP No. 83247



KUKO Rosenheim



EDP No. 70798



Schönbrunn Palace



EDP No. 66024



Fiss Ski Area / Children's Skiworld



EDP No. 70984

CONTACT US



GIFAS
ELECTRIC

GIFAS ELECTRIC
Gesellschaft m.b.H
Strass 2
5301 Eugendorf
AUSTRIA

🌐 www.gifas.at
✉ verkauf@gifas.at
☎ +43 6225/7191-0
☎ +49 8654/404-2000

SYSTEMATIC QUALITY

Floor outlets



FONTO with hinged cover

Page 4 - 11

FONTO
2000



Page 4

FONTO
2005



Page 5

FONTO
4290



Page 6

FONTO
4295



Page 7

FONTO
4301



Page 8

FONTO
4308



Page 9

FONTO with screw cap

Page 12 - 15

FONTO
4970W



Page 12

FONTO
5000



Page 13

FONTO
Inserts



Page 14 - 15

MASSO with screw cap

Page 17 - 21

MASSO
3000.2



Page 17

MASSO
4000



Page 18

MASSO
4010



Page 19

MASSO
8000



Page 20

MASSO
8010



Page 21

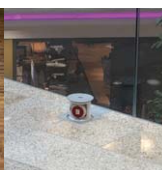
Application examples

FONTO



Page 16

MASSO



Page 22 - 23

FONTO
8301

Page 10

FONTO
8308

Page 11

GIFAS floor outlets

The well-designed and robust floor outlets, made of aluminium, are available in different sizes.

These smart allrounders are used in congress halls and event spaces, hotel and gastronomy, company buildings, industrial areas, outdoor facilities etc. - basically anywhere there are high levels of demand for functionality and safety.

All models can be travelled over and depending on the model, can even be used on floors that require wet cleaning, where there is splashing water and outdoors.

In addition to the listed standard versions with fixed assembly, the floor outlets can also be individually tailored. The GIFAS sales professionals are happy to fulfil their customer requests.

And of course, only the trusted GIFAS equipment range is used, meaning that the usual first-class quality can also be guaranteed for this product range.

FONTO and MASSO - sophisticated technology and ambitious design.

ATTENTION

Maximum static load according to EN 50085.

Underfloor electrical installation systems cannot absorb higher loads like the surrounding ground structures. The load must always be considered in conjunction with the floor structure, the flooring and the workmanship of the installation. Ground electrical outlets and floor construction as well as flooring form a functional unit in operation.

The specified protection class is reached, by the floor outlets, only after installation by qualified personnel.

The items in this catalog may change due to technical innovations without separate notification.

FONTO 2000



Floor outlets with hinged cover and leveling frame
(Leveling feet optionally available)

Application

Indoor use

Technical data

Outer dimensions (L x W)	110 x 95 mm
Installation depth	approx. 75 mm (delivery setting)
Levellable	72 - 78 mm
Installation height with leveling feet	88 - 130 mm
Installation height with threaded pin extension	88* - 230 mm
Material	aluminium untreated
Color	aluminium untreated
Maximum static load according to EN 50085	20kN
Maximum conductor cross-section	depending on module use

Product features

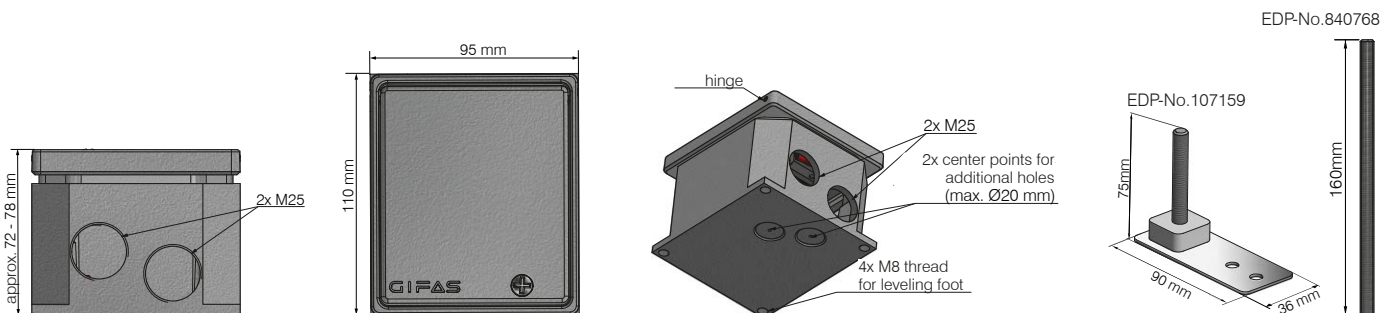
- In staggered condition adjustable frame (+/- 3 mm) for easy adaptation to the finished floor level
- Floor socket to be set floor leveled with hinged cover
- For 1x input 45 x 45 x 4 mm (e.g. Schuko, RJ45, TV, HDMI, USB etc.)
- Can be travelled over when closed
- Suitable for maintenance with wet sweeping devices when closed (IP65)
- When plugged in: only for dry-cleaned floors (IP20)

EDP No.	Product-ID-No. / Description
840886	FONTO.2000-1AG / Floor outlets with hinged cover, 110x95x75 mm, closed IP65, alu-natural ground , 1 modul 45x45 mm, levellable +/- 3 mm
840900	FONTO.2000-1PG.RAL9006.WEISSALU / Floor outlets with hinged cover, 110x95x75 mm, closed IP65, coated in RAL 9006 white aluminum , 1 modul 45x45 mm, levellable +/- 3 mm

Accessories	Installation height
107159 FONTO.MASSO.NIVELLIERSCHRAUBE. SENKVERTEILER / Leveling screw: consisting of: 1x base plate + 1x leveling pin M8 x 60	88 - 130 mm
Option	
840768 M8.160.A2.DIN976-1 / Threaded rod M8 x 160 mm suitable for base plate 107159	88* - 230 mm

Inserts modul FONTO on page 14 - 15 !

* Shorten the setscrew as required



Leveling feet are only used to set up the floor socket. Loading class / stability is only achieved by backfilling the floor socket with solid material (mortar, concrete ...).

CE

07/2021/1.0

FONTO 2005



Floor outlets with hinged cover and leveling frame
(Leveling feet optionally available)

Application

Indoor use

Technical data

Outer dimensions (L x W)	110 x 95 mm
Installation depth	approx. 75 mm (delivery setting)
Levellable	72 - 78 mm
Installation height with leveling feet	88 - 130 mm
Installation height with threaded pin extension	88* - 230 mm
Material	aluminium untreated
Color	aluminium untreated
Maximum static load according to EN 50085	20kN
Maximum conductor cross-section	depending on module use

Product features

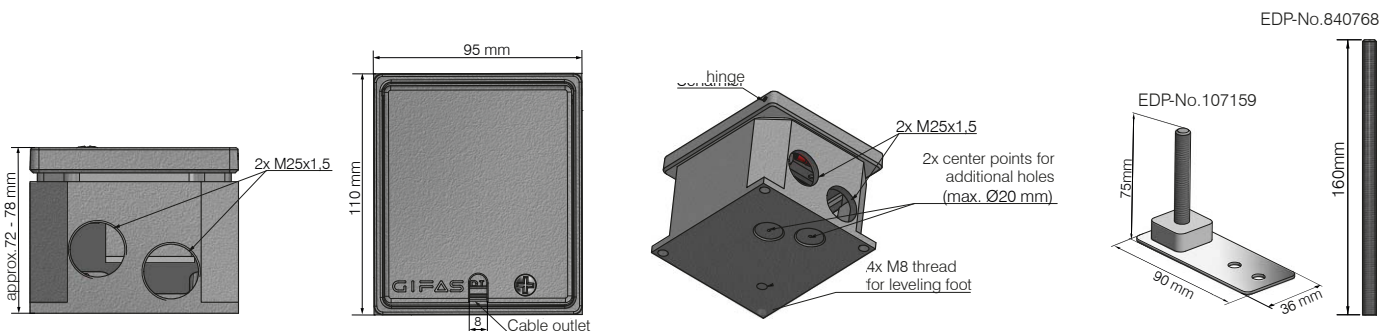
- In staggered condition adjustable frame (+/- 3 mm) for easy adaptation to the finished floor level
- Floor socket to be set floor leveled with hinged cover including 1x cable outlets
- For 1x input 45 x 45 x 4 mm (e.g. Schuko, RJ45, TV, HDMI, USB etc.)
- Can be travelled over when closed
- When closed and plugged in: only for dry-cleaned floors (IP20)
- Not suitable for sockets according to British standards

EDP No.	Product-ID-No. / Description
840891	FONTO.2005-1AG / Floor outlets with hinged cover and cable outlet, 110x95x75 mm, closed IP20, alu-natural ground , 1 modul 45x45 mm, levellable +/- 3 mm

Accessories		Installation height
107159	FONTO.MASSO.NIVELLIERSCRAUBE. SENKVERTEILER / Leveling screw: consisting of: 1x base plate + 1x leveling pin M8x60	88 - 130 mm
Option		
840768	M8.160.A2.DIN976-1 / Threaded rod M8 x 160 mm suitable for base plate 107159	88* - 230 mm

Inserts modul FONTO on page 14 - 15 !

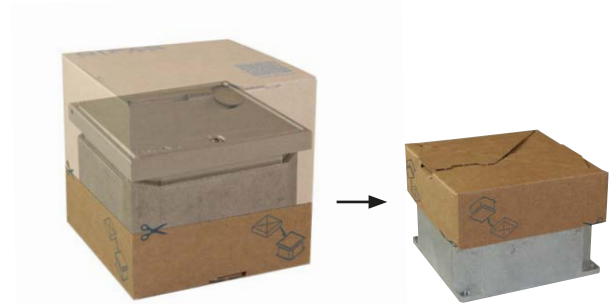
* Shorten the setscrew as required



Leveling feet are only used to set up the floor socket. Loading class / stability is only achieved by backfilling the floor socket with solid material (mortar, concrete ...).

CE

FONTO 4290



Protective cover made of cardboard (integrated in packaging)

Floor outlets with hinged cover and leveling frame
(Leveling feet optionally available)

Application



Technical data

Outer dimensions (L x W)	119 x 119 mm
Installation depth	approx. 83 mm (delivery setting)
Levellable	77 - 89 mm
Installation height with leveling feet	95 - 140 mm
Installation height with threaded pin extension	95* - 240 mm
Material	aluminium untreated (salt and seawater resistant)
Color	alu colored anodized
Maximum static load according to EN 50085	20kN

Product features

- In staggered condition adjustable frame (+/- 6 mm) for easy adaptation to the finished floor level
- Floor socket to be set floor leveled with hinged cover
- For 2x input 45 x 45 x 4 mm (e.g. Schuko, RJ45, TV, HDMI, USB etc.)
- Protective cover made of cardboard to prevent damage during the construction phase (integrated in packaging)
- Can be travelled over when closed
- Suitable for maintenance with wet sweeping devices when closed (IP65)
- When plugged in: only for dry-cleaned floors (IP20)

EDP No. Product-ID-No. / Description

840725	FONTO.4290-1EG / Floor outlets with hinged cover 119x119x83 mm, closed IP65, alu colored anodized , for 2 modules 45x45 mm, levellable +/- 6 mm
--------	---

Version for sockets according to British standards

840852	FONTO.4290-1EG.UK / Floor outlets with hinged cover 119x119x83 mm, closed IP65, alu colored anodized , for 2 inserts British standard, levellable +/- 6 mm
--------	--

Accessories	Installation height
-------------	---------------------

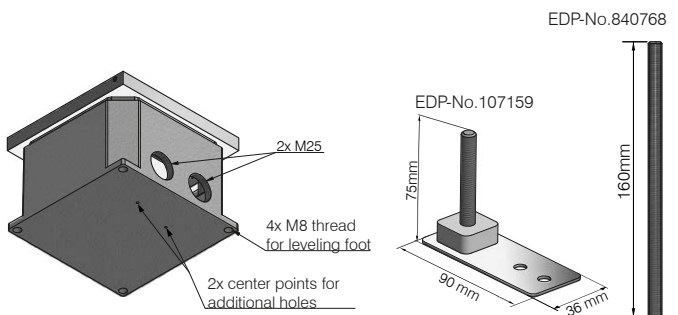
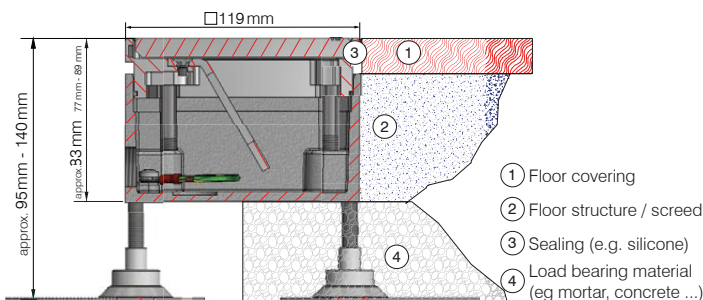
107159	FONTO.MASSO.NIVELLIERSCRAUBE. SENKVERTEILER / Leveling screw: consisting of: 1x base plate + 1x leveling pin M8x60	95 - 140 mm
--------	--	-------------

Option

840768	M8.160.A2.DIN976-1 / Threaded rod M8 x 160 mm suitable for base plate 107159	95* - 240 mm
--------	---	--------------

Inserts modul FONTO on page 14 - 15 !

* Shorten the setscrew as required



Leveling feet are only used to set up the floor socket. Loading class / stability is only achieved by backfilling the floor socket with solid material (mortar, concrete ...).



FONTO 4295



Protective cover made of cardboard (integrated in packaging)

Floor outlets with hinged cover and leveling frame
(Leveling feet optionally available)

Application

Indoor use

Technical data

Outer dimensions (L x W)	119 x 119 mm
Installation depth	approx. 83 mm (delivery setting)
Levellable	77 - 89 mm
Installation height with leveling feet	95 - 140 mm
Installation height with threaded pin extension	95* - 240 mm
Material	aluminium untreated (salt and seawater resistant)
Color	alu colored anodized
Maximum static load according to EN 50085	20kN

Product features

- In staggered condition adjustable frame (+/- 6 mm) for easy adaptation to the finished floor level
- Floor socket to be set floor leveled with hinged cover including 2x cable outlets
- For 2x input 45 x 45 x 4 mm (e.g. Schuko, RJ45, TV, HDMI, USB etc.)
- Protective cover made of cardboard to prevent damage during the construction phase (integrated in packaging)
- Passable when closed
- When closed and plugged in: only for dry-cleaned floors (IP20)

EDP No. Product-ID-No. / Description

840764	FONTO.4295-1EG / Floor outlets with hinged cover and cable outlet, 119x119x83 mm, closed IP20, alu colored anodized , for 2 modules 45x45 mm, levellable +/- 6mm
--------	--

Version for sockets according to British standards

840853	FONTO.4295-1EG.UK / Floor outlets with hinged cover and cable outlet, 119x119x83 mm, closed IP20, alu colored anodized , for 2 inserts British standard, levellable +/- 6mm
--------	---

Accessories

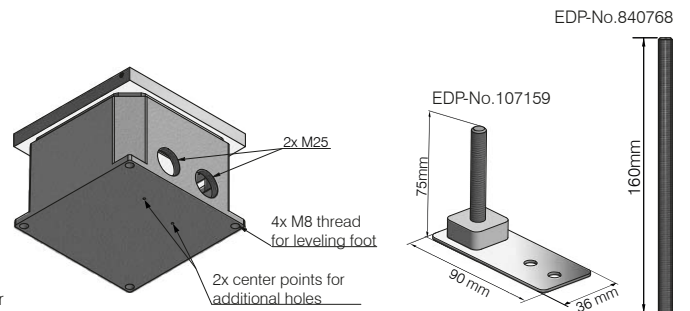
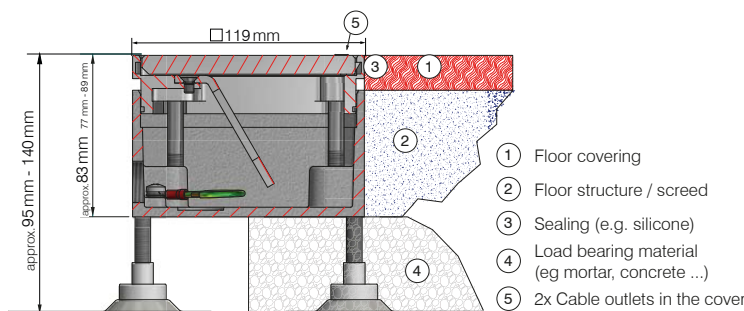
EDP No.	Product-ID-No. / Description	Installation height
107159	FONTO.MASSO.NIVELLIERSCRAUBE. SENKVERTEILER / Leveling screw: consisting of: 1x base plate + 1x leveling pin M8x60	95 - 140 mm

Option

840768	M8.160.A2.DIN976-1 / Threaded rod M8 x 160 mm suitable for base plate 107159	95* - 240 mm
--------	--	--------------

Inserts modul FONTO on page 14 - 15 !

* Shorten the setscrew as required



Leveling feet are only used to set up the floor socket. Loading class / stability is only achieved by backfilling the floor socket with solid material (mortar, concrete ...).

CE

FONTO 4301



Protective cover made of cardboard (integrated in packaging)

Floor outlets with hinged cover and leveling frame
(Leveling feet optionally available)

Application

Indoor use

Technical data

Outer dimensions (L x W)	119 x 119 mm
Installation depth	approx. 83 mm (delivery setting)
Levellable	77 - 89 mm
Installation height with leveling feet	95 - 140 mm
Installation height with threaded pin extension	95* - 240 mm
Material	Aluminium untreated (salt and seawater resistant)
Color	Alu colored anodized
Maximum static load according to EN 50085	20kN

Product features

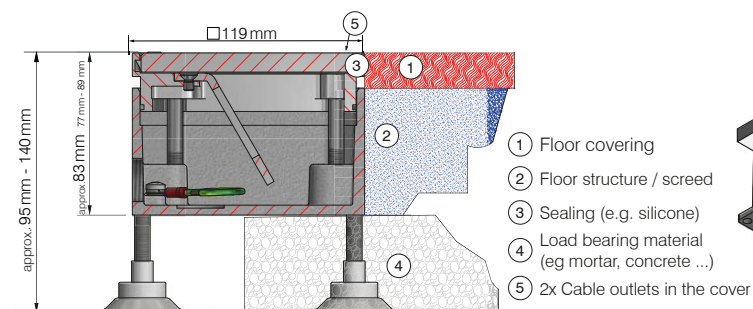
- In staggered condition adjustable frame (+/- 6 mm) for easy adaptation to the finished floor level
- Floor socket to be set floor leveled with hinged cover including 2x cable outlets
- For 2x input 45 x 45 x 4 mm (e.g. Schuko, RJ45, TV, HDMI, USB etc.)
- Protective cover made of cardboard to prevent damage during the construction phase (integrated in packaging)
- Can be travelled over when closed
- Suitable for maintenance with wet sweeping devices when closed (IP65)
- When plugged in: only for dry-cleaned floors (IP20)

EDP No.	Artikel-Nr. / Bezeichnung
840765	FONTO.4301-1EG / Floor outlets with hinged cover and cable outlet, 119x119x83 mm, closed IP65, alu colored anodized , 2 modules 45x45 mm, levellable +/- 6 mm
Version for sockets according to British standards	
840850	FONTO.4301-1EG.UK / Floor outlets with hinged cover and cable outlet, 119x119x83 mm, closed IP65, alu colored anodized , for 2 inserts British standard, levellable +/- 6 mm

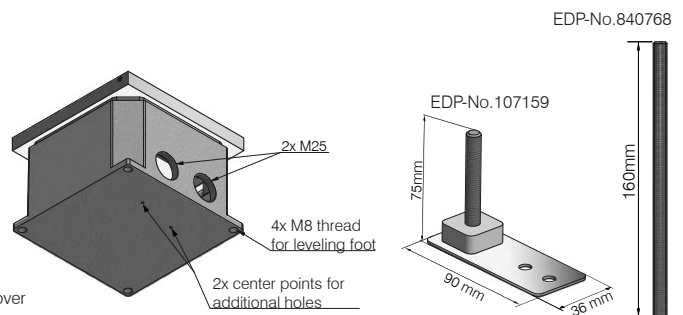
Accessories		Installation height
107159	FONTO.MASSO.NIVELLIERSCRAUBE. SENKVERTEILER / Leveling screw: consisting of: 1x base plate + 1x leveling pin M8x60	95 - 140
Option		
840768	M8.160.A2.DIN976-1 / Threaded rod M8 x 160 mm suitable for base plate 107159	95* - 240 mm

Inserts modul FONTO on page 14 - 15 !

* Shorten the setscrew as required



- ① Floor covering
- ② Floor structure / screed
- ③ Sealing (e.g. silicone)
- ④ Load bearing material (eg mortar, concrete ...)
- ⑤ 2x Cable outlets in the cover



Leveling feet are only used to set up the floor socket. Loading class / stability is only achieved by backfilling the floor socket with solid material (mortar, concrete ...).

CE

07/2021/1.0

FONTO 4308
Designed for floor coverings



Protective cover made of cardboard (integrated in packaging)

Floor outlets with hinged cover and leveling frame
(Leveling feet optionally available)

Application

Indoor use

Technical data

Outer dimensions (L x W)	119 x 119 mm
Installation depth	approx. 83 mm (delivery setting)
Levellable	77 - 89 mm
Installation height with leveling feet	95 - 140 mm
Installation height with threaded pin extension	95* - 240 mm
Recess depth for flooring	7 mm
Material	Aluminium untreated (salt and seawater resistant) Alu colored anodized
Color	
Maximum static load according to EN 50085	20kN

Product features

- In staggered condition adjustable frame (+/- 6 mm) for easy adaptation to the finished floor level
- Floor socket to be set floor leveled with hinged cover including 2x cable outlets
- For 2x input 45 x 45 x 4 mm (e.g. Schuko, RJ45, TV, HDMI, USB etc.)
- Protective cover made of cardboard to prevent damage during the construction phase (integrated in packaging)
- Can be travelled over when closed
- Suitable for maintenance with wet sweeping devices when closed (IP65)
- When plugged in: only for dry-cleaned floors (IP20)

EDP No. Artikel-Nr. / Bezeichnung

840766	FONTO.4308-1EG / Floor outlets with cover for flooring and cable outlet, 119x119x83 mm, closed IP65, alu colored anodized , 2 modules 45x45 mm, levellable +/- 6 mm
--------	---

Version for sockets according to British standards

840851	FONTO.4308-1EG.UK / Floor outlets with cover for flooring and cable outlet, 119x119x83 mm, closed IP65, alu colored anodized , for 2 inserts British standard, levellable +/- 6 mm
--------	--

Accessories

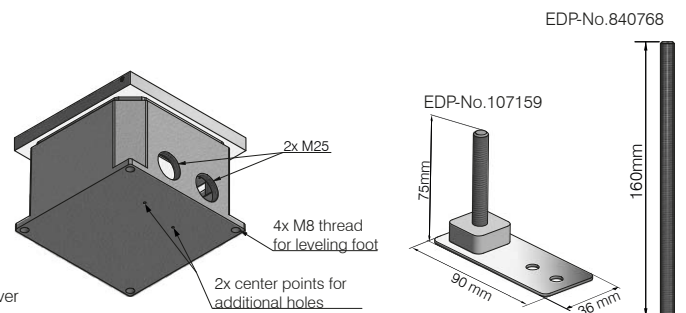
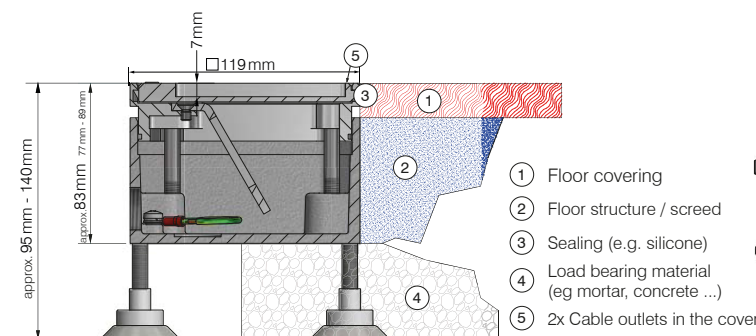
107159	FONTO.MASSO.NIVELLIERSCHRAUBE. SENKVERTEILER / Leveling screw: consisting of: 1x base plate + 1x leveling pin M8x60	Installation height 95 - 140
--------	--	--

Option

840768	M8.160.A2.DIN976-1 / Threaded rod M8 x 160 mm suitable for base plate 107159	95* - 240 mm
--------	--	--------------

Inserts modul FONTO on page 14 - 15 !

* Shorten the setscrew as required



Leveling feet are only used to set up the floor socket. Loading class / stability is only achieved by backfilling the floor socket with solid material (mortar, concrete ...).

CE

FONTO 8301



Slide-in piece for securely closing the cable outlet opening (recommended for accessible areas).

EDP-No.840862

Floor socket with hinged cover removable and leveling frame (Leveling feet optionally available)

Application



Technical data

Outer dimensions (L x W)	240 x 240 mm
Installation depth	approx. 95 mm (delivery setting)
Levellable	90 - 100 mm
Installation height with leveling feet	105 - 150 mm
Installation height with threaded pin extension	105* - 250 mm
Material	aluminium untreated (salt and seawater resistant)
Color	alu colored anodized
Maximum static load according to EN 50085	20kN

Product features

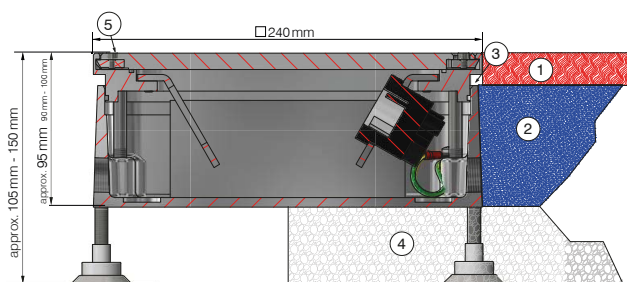
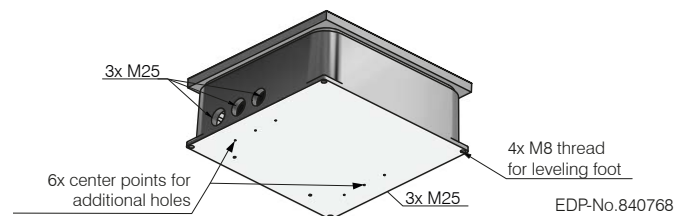
- In staggered condition adjustable frame (+/- 5 mm) for easy adaptation to the finished floor level
- Floor socket to be set floor leveled with hinged cover including 4x cable outlets
- For 8x input 45 x 45 x 4 mm (e.g. Schuko, RJ45, TV, HDMI, USB etc.)
- Can be travelled over when closed
- Suitable for maintenance with wet sweeping devices when closed (IP65)
- Only for dry clean floors, both when closed and when plugged in (IP20)

EDP No.	Product-ID-No. / Description
840845	FONTO.8301-1EG / Floor outlets with hinged cover and cable outlet, 240x240x95 mm, closed IP65, alu colored anodized , for 8 modules 45x45 mm, levellable +/- 5 mm

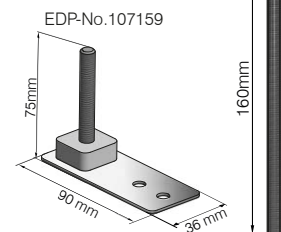
Version for sockets according to British standards	
840865	FONTO.8301-1EG.UK / Floor outlets with hinged cover and cable outlet, 240x240x95 mm, closed IP65, alu colored anodized , for 8 inserts British standard, levellable +/- 5 mm

Accessories	Installation height
107159 FONTO.MASSO.NIVELLIERSCHRAUBE. SENKVERTEILER / Leveling screw: consisting of: 1x base plate + 1x leveling pin M8x60	105 - 150 mm
840862 BD-FONTO.EINSATZ. KABELAUSLASS.8XXX.E / Insert for cable outlet floor socket FONTO 8301 and FONTO 8308 anodized aluminum	
Option	
840768 M8.160.A2.DIN976-1 / Threaded rod M8 x 160 mm suitable for base plate 107159	105* - 250 mm

Inserts modul FONTO on page 14 - 15 !
* Shorten the setscrew as required



- 1 Floor covering
- 2 Floor structure / screed
- 3 Sealing (e.g. silicone)
- 4 Load bearing material (eg mortar, concrete ...)
- 5 4x Cable outlets in the cover



Leveling feet are only used to set up the floor socket. Loading class / stability is only achieved by backfilling the floor socket with solid material (mortar, concrete ...).



07/2021/1.0

FONTO 8308
Designed for floor coverings



Slide-in piece for securely closing the cable outlet opening (recommended for accessible areas).

EDP-No.840862

Floor socket with hinged cover removable and leveling frame (Leveling feet optionally available)

Application

Indoor use

Technical data

Outer dimensions (L x W)	240 x 240 mm
Installation depth	approx. 95 mm (delivery setting)
Levellable	90 - 100 mm
Installation height with leveling feet	105 - 150 mm
Installation height with threaded pin extension	105* - 250 mm
Recess depth for flooring	7 mm
Material	aluminium untreated (salt and seawater resistant)
Color	alu colored anodized
Maximum static load according to EN 50085	20kN

Product features

- In staggered condition adjustable frame (+/- 5 mm) for easy adaptation to the finished floor level
- Floor socket to be set floor leveled with hinged cover including 4x cable outlets
- For 8x input 45 x 45 x 4 mm (e.g. Schuko, RJ45, TV, HDMI, USB etc.)
- Can be travelled over when closed
- Suitable for maintenance with wet sweeping devices when closed (IP65)
- Only for dry clean floors, both when closed and when plugged in (IP20)

EDP No. Product-ID-No. / Description

840848	FONTO.8308-1EG / Floor outlets with cover for flooring and cable outlet, 240x240x95 mm, closed IP65, alu colored anodized for 8 modules 45x45 mm, levellable +/- 5 mm
--------	--

Version for sockets according to British standards

840864	FONTO.8308-1EG.UK / Floor outlets with hinged cover and cable outlet, 240x240x95 mm, closed IP65, alu colored anodized , for 8 inserts British standard, levellable +/- 5 mm
--------	---

Accessories Installation height

107159	FONTO.MASSO.NIVELLIERSCRAUBE. SENKVERTEILER / Leveling screw: consisting of: 1x base plate + 1x leveling pin M8x60	105* - 250 mm
--------	--	---------------

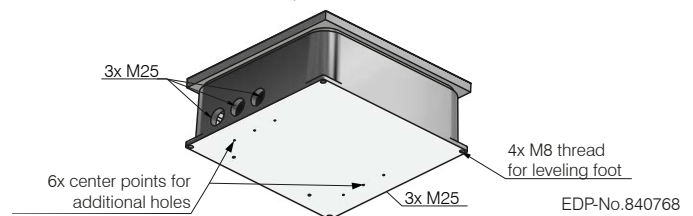
840862	BD-FONTO.EINSATZ. KABELAUSLASS.8XXX.E / Insert for cable outlet floor socket FONTO 8301 and FONTO 8308 anodized aluminum	
--------	--	--

Options

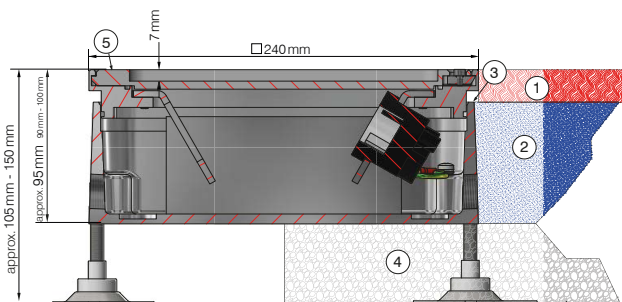
840768	M8.160.A2.DIN976-1 / Threaded rod M8 x 160 mm suitable for base plate 107159	105* - 250 mm
--------	--	---------------

Inserts modul FONTO on page 14 - 15 !

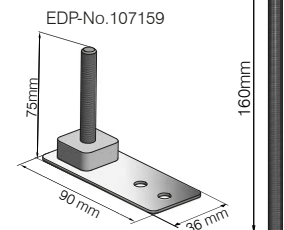
* Shorten the setscrew as required



EDP-No.840768



- 1 Floor covering
- 2 Floor structure / screed
- 3 Sealing (e.g. silicone)
- 4 Load bearing material (eg mortar, concrete ...)
- 5 4x Cable outlets in the cover

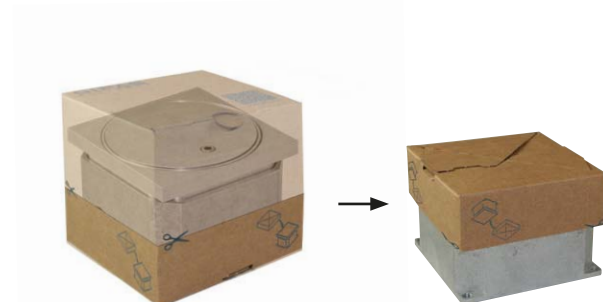


Leveling feet are only used to set up the floor socket. Loading class / stability is only achieved by backfilling the floor socket with solid material (mortar, concrete ...).

CE

07/2021/1.0

FONTO 4970W



Protective cover made of cardboard (integrated in packaging)

Floor socket with screw cap and outlet pipe and leveling frame
(Leveling feet optionally available)

Application

Indoor use

Technical data

Outer dimensions (L x W)	119 x 119 mm
Installation depth	approx. 83 mm (delivery setting)
Levellable	77 - 89 mm
Installation height with leveling feet	95 - 140 mm
Installation height with threaded pin extension	95* - 240 mm
Material	aluminium untreated
Color	alu colored anodized
Maximum static load according to EN 50085	20kN

Product features

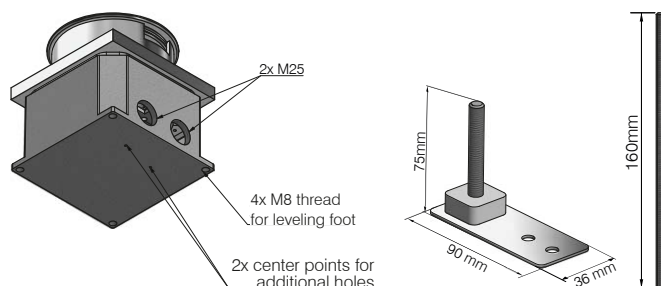
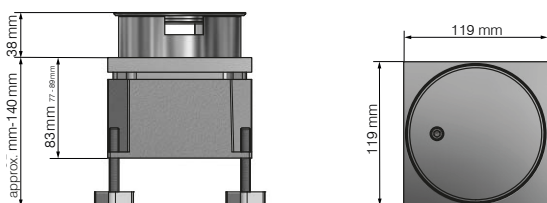
- In staggered condition adjustable frame (+/- 6 mm) for easy adaptation to the finished floor level
- Floor outlet with screw cap, to be set at floor level, and outlet pipe (sunk into the floor box when not being used)
- For 1x input 45 x 45 x 4 mm and 1x input 22,5 x 45 x 4 mm (e.g. Schuko, RJ45 etc.)
- Protective cover made of cardboard to prevent damage during the construction phase (integrated in packaging)
- When closed - IP67
- When plugged in (with mounted outlet pipe, water height max. 18 mm) suitable for maintenance with wet sweepers
- Tread-proof when plugged in

EDP No.	Product-ID-No. / Description
840983	FONTO.4970W-1EG / Floor outlets with screw, 119x119x83mm, alu colored anodized , with water protection tube, closed IP67, 1 module 45x45 mm + 22,5x45 mm, levellable +/- 6 mm

Accessories	Installation height
107159 FONTO.MASSO.NIVELLIERSCHRAUBE. SENKVERTEILER / Leveling screw: consisting of: 1x base plate + 1x leveling pin M8x60	95 - 140 mm
Option	
840768 M8.160.A2.DIN976-1 / Threaded rod M8 x 160 mm suitable for base plate 107159	95* - 240 mm

Inserts modul FONTO on page 14 - 15 !

* Shorten the setscrew as required



Leveling feet are only used to set up the floor socket. Loading class / stability is only achieved by backfilling the floor socket with solid material (mortar, concrete ...).

CE

07/2021/1.0

FONTO 5000



FONTO 5000.R



FONTO 5000

Floor socket with screw cap and outlet pipe
(Leveling feet optionally available)

Application

Indoor use

Technical data

Outer dimensions FONTO 5000R (L x W x H)	156 x 156 x 95 mm
Outer dimensions FONTO 5000 (Ø x H)	156 x 95 mm
Installation depth	approx. 95 mm (delivery setting)
Installation height with leveling feet	100 mm
Installation height with threaded pin extension	100* - 205 mm
Material	aluminium untreated
Color	alu colored anodized
Maximum static load according to EN 50085	40kN

Product features

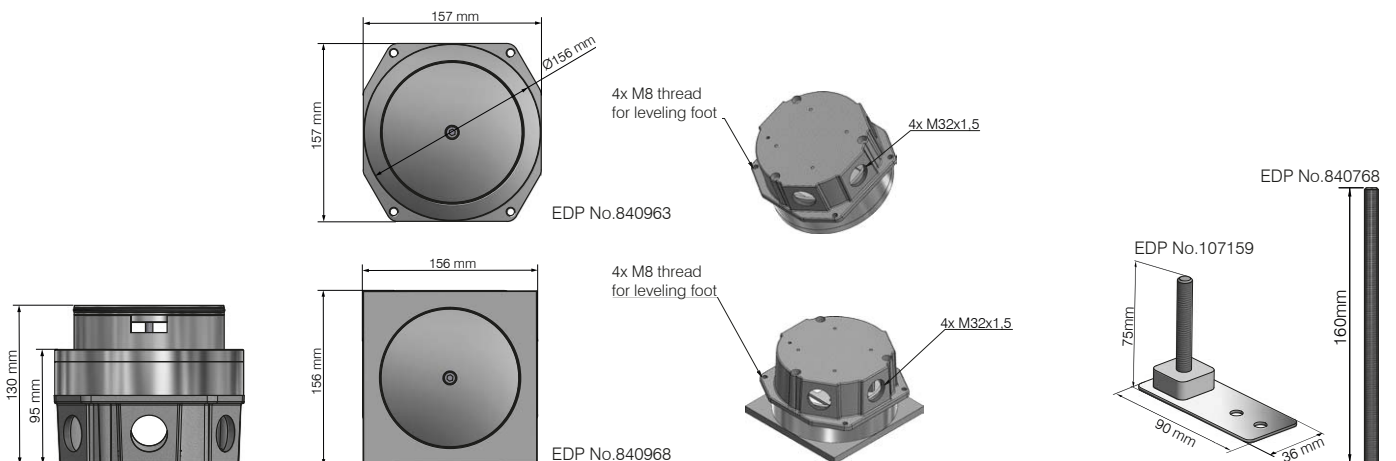
- Floor outlet with screw cap, to be set at floor level, and outlet pipe (sunk into the floor box when not being used)
- For 2x inputs 45 x 45 x 4 mm and 2x inputs 22.5 x 45 x 4 mm (e.g. Schuko, RJ45, etc.)
- When closed - IP67
- When plugged in (with mounted outlet pipe, water height max. 14 mm) suitable for maintenance with wet sweepers
- Tread-proof when plugged in

EDP No.	Product-ID-No. / Description
840968	FONTO.5000.R-1EG / Floor outlets with screw, 156x156x95 mm, alu colored anodized , with water protection tube, closed IP67, 2 module 45 x 45 mm + 22,5x45 mm
840963	FONTO.5000-1EG / Floor outlets with screw, 156x95 mm, alu colored anodized , closed IP67, 2 module 45x45 mm + 22,5x45 mm

Accessories	Installation height
107159 FONTO.MASSO.NIVELLIERSCRAUBE. SENKVERTEILER / Leveling screw: consisting of: 1x base plate + 1x leveling pin M8x60	100 mm
Options	
840768 M8.160.A2.DIN976-1 / Threaded rod M8 x 160 mm suitable for base plate 107159	100* - 205 mm

Inserts modul FONTO on page 14 - 15 !









* Shorten the setscrew as required






Leveling feet are only used to set up the floor socket. Loading class / stability is only achieved by backfilling the floor socket with solid material (mortar, concrete ...).









CE



FONTO Inserts




Sockets			
EDP No.	Product-ID-No.	Description	
107177	309.LEG.45°.BS.MOSAIC.WEISS.2MOD.	Schuko socket 16A 230V white mosaic	
107178	309.LEG.FB.BS.MOSAIC.WEISS.2MOD.	Socket French-Belgian standard, 16A 230V white mosaic	
107179	309.LEG.TYP13.BS.MOSAIC.WEISS.2MOD.	Socket 2P + E 10A 230V white mosaic, TYPE 13	
119703	309.LEG.TYP23.BS.MOSAIC.WEISS.2MOD.	Socket 2P + E 16A 230V white mosaic, TYPE 23	
111180	309.LEG.TYPITALIEN.MOSAIC.WEISS.1MOD	Socket 2P + E 10A 230V white mosaic, TYPE ITALY	
121121	309.LEG.UK.MOSAIC.WEISS.2MOD.	Socket 2P + E 13A according to the British standard. Connection with screw terminals.	
121446	309.LEG.MOSAIC.ORANGE.2MOD.	Schuko socket 2P + E 16A in orange with increased touch protection. Connection with screw terminals.	
121448	309.LEG.MOSAIC.ROT.2MOD.	Schuko socket 2P + E 16A in red with increased touch protection. Connection with screw terminals.	

Switches, signaling device			
EDP No.	Product-ID-No.	Description	
132755	AUSSCHALTER.20A.2PBEL.LEG.MOSAIC.WEISS.2MOD	Switch 2-pole 20A with 0-1 imprint and LED	
132756	WECHSELSCHALTER.10A.1PBEL.LEG.MOSAIC.WEISS.1MOD	Changeover switch 1-pole 10A without LED unit (LED insert EPD-No. 132757)	
132753	SIGNALLEUCHTE.230VAC.2FACH.LEG.MOSAIC.WEISS.1MOD	Light signal 2-fold 230VAC 2x1W LED white incl. color cards red, orange, green, blue	

FONTO Inserts

Special inserts			
EDP No.	Product-ID-No.	Description	
107181	RJ45.STECKDOSE.LEG.CAT6.GESCH.TOOLESS.MOSAIC.WEISS.1MOD.	RJ45 8P CAT6 socket shielded	
132670	HDMI.STECKDOSE.KABEL.150MM.LEG.MOSAIC.WEISS.1MOD.	HDMI socket + cable 150 mm (only for FONTO 8000 series)	
127066	USB.STECKDOSE.1X5V.750MA.LEG.MOSAIC.WEISS.1MOD.	USB charging module 1-fold, 750mA	
117850	USB.STECKDOSE.2X5V.1500MA.LEG.MOSAIC.WEISS.2MOD.	USB charging module 2-fold, 1500mA	
125932	TVEINZELDOSE.2-LOCH.LEG.MOSAIC.WEISS.1MOD	TV single box TV-SAT outlet	
119312	TVEINZELDOSE.3-LOCH.LEG.MOSAIC.WEISS.2MOD	Single TV socket TV-R-SAT outlet	
118715	TVEINZELDOSE.MALE.0-2400MHZ.LEG.MOSAIC.WEISS.1MOD	Single TV socket (male) 0-2400MHz Mosaic	
127367	PA.DOSE.LEG.MOSAIC.1MODUL.	Equipotential bonding box, 1 module	

Blind covers			
EDP No.	Product-ID-No.	Description	
107185	BLINDABDECKUNG.LEG.MOSAIC.WEISS.1MOD.	Blind cover Legrand mosaic white, 1 mod.	
107187	BLINDABDECKUNG.LEG.MOSAIC.WEISS.2MOD.	Blind cover Legrand mosaic white, 2 mod.	

Accessories			
EDP No.	Product-ID-No.	Description	
79972	M25.VERSCHLUSSSCHRAUBE.POLYAMID.HELLGRAU	M25 screw plug with metric thread, gray	
107168	M32.VERSCHLUSSSCHRAUBE.POLYAMID.HELLGRAU	M32 screw plug with metric thread, gray	
132722	KV.M25.FLACHDICHTUNG.30X23X1,2MM	Flat gasket M25 neoprene black inside 23 mm, outside 30 mm, material thickness 1.2 mm	
133354	KV.M32.FLACHDICHTUNG.30X40X1,5MM	Flat gasket M32 neoprene black inside 30 mm, outside 40 mm, material thickness 1.5 mm	

07/2021/1.0



MASSO 3000.2



Micro subfloor distributor
(Leveling feet optionally available)

Application

Indoor use

Technical data

Outer dimensions (L x W x H)	170x170x142 mm
Installation height with leveling feet	145 mm
Installation height with threaded pin extension	145* - 245 mm
Material	aluminium untreated (salt and seawater resistant)
Color acc. to description	alu colored anodized
Maximum static load according to EN 50085	40kN

Product features

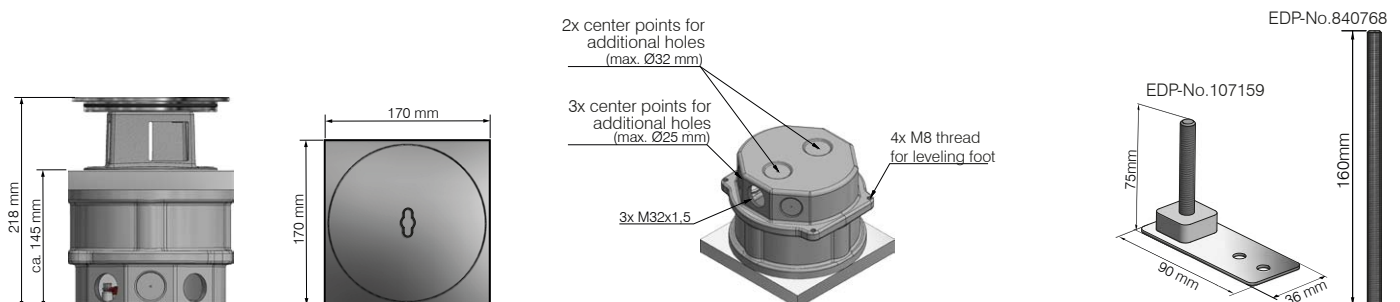
- Micro subfloor distributor to be installed at floor level
- Equipment: see article numbers
- When closed:
 - IP67
 - can be travelled over
- When opened:
 - up to IP20
 - step-resistant

EDP No.	EDP No. F&B	Product-ID-No. / Description
840919		MASSO.3000.2-1EG / Micro subfloor, 170x170x148 mm, alu colored anodized , closed IP67, incl. key
840921	840923	MASSO.3000.2-2EG.4X309 / Micro subfloor, 170x170x148 mm, alu colored anodized , closed IP67, floor level, 4xSchuko 230V 16A
840924	840926	MASSO.3000.2-2EG.3X309.2XRJ45 / Micro subfloor, 170x170x148 mm, alu colored anodized , closed IP67, floor level, 3xSchuko 230V 16A, 2xRJ45
840928	840930	MASSO.3000.2-2EG.2X309.2XRJ45.TV-R-SAT / Micro subfloor, 170x170x148 mm, alu colored anodized , closed IP67, floor level, 2xSchuko 230V 16A, 2xRJ45,TV-R-SAT

Accessories		Installation height
107159	FONTO.MASSO.NIVELLIER-SCHRAUBE.SENKVERTEILER / Leveling screw: consisting of: 1xbase plate + 1xleveling pin M8x60	145 mm
Options		
840768	M8.160.A2.DIN976-1 / Threaded rod M8 x 160 mm suitable for base plate 107159	145* - 242 mm

Inserts modul on request.

* Shorten the setscrew as required



Leveling feet are only used to set up the floor socket. Loading class / stability is only achieved by backfilling the floor socket with solid material (mortar, concrete ...).

CE

MASSO 4000



Floor level – Indoor use
 MASSO 4000.2 on request

Micro subfloor distributor
(Leveling feet optionally available)

Application

Outdoor use

Technical data

Outer dimensions (L x W x H)	170 x 170 x 190 mm
Installation height with leveling feet	190 mm
Installation height with threaded pin extension	190* - 290 mm
Material	aluminium untreated (salt and seawater resistant)
Color	alu colored anodized
Maximum static load according to EN 50085	40kN

EDP No.	EDP No. F&B	Product-ID-No. / Description
840949	840951	MASSO.4000-2EG.4X309 / Micro subfloor distributor, 170 x 170 x 190 mm, alu colored anodized , closed IP67, 4x Schuko 230V 16A
840953	840955	MASSO.4000-2EG.3X309.2XRJ45 / Micro subfloor distributor, 170 x 170 x 190 mm, alu colored anodized , closed IP67, 3x Schuko 230V 16A, 2x RJ45
840956	840958	MASSO.4000-2EG.DL.3X309 / Micro subfloor distributor, 170 x 170 x 190 mm, alu colored anodized , closed IP67, compressed air DN7.2, 3x Schuko 230V 16A

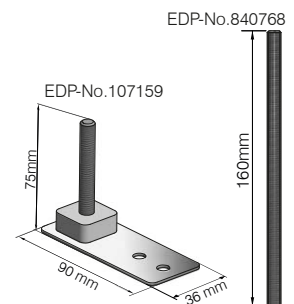
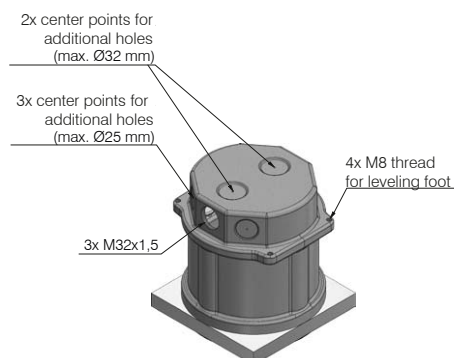
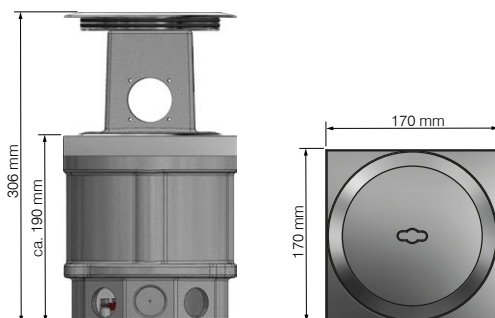
Product features

- Nearly micro subfloor distributor to be installed at floor level
- Equipment: see article numbers
- When closed:
 - IP67
 - can be travelled over
- When opened:
 - up to IP54 (depending on the equipment variant)
 - step-resistant

Accessories		Installation height
107159	FONTO.MASSO.NIVELLIER-SCHRAUBE.SENKVERTEILER / Leveling screw: consisting of: 1x base plate + 1x leveling pin M8 x 60	190 mm
Option		
840768	M8.160.A2.DIN976-1 / Threaded rod M8 x 160 mm suitable for base plate 107159	190* - 290 mm

Other equipment options on request.

* Shorten the setscrew as required




Leveling feet are only used to set up the floor socket. Loading class / stability is only achieved by backfilling the floor socket with solid material (mortar, concrete ...).

CE

07/2021/1.0


MASSO 4010



Floor level – Indoor use 
MASSO 4010.2 on request

Micro subfloor distributor
(Leveling feet optionally available)

Application

Outdoor use 

Technical data

Outer dimensions (L x W x H)	170x 170x 190 mm
Installation height with leveling feet	190 mm
Installation height with threaded pin extension	190* - 290 mm
Material	aluminium untreated (salt and seawater resistant)
Color	alu colored anodized
Maximum static load according to EN 50085	40kN

Product features

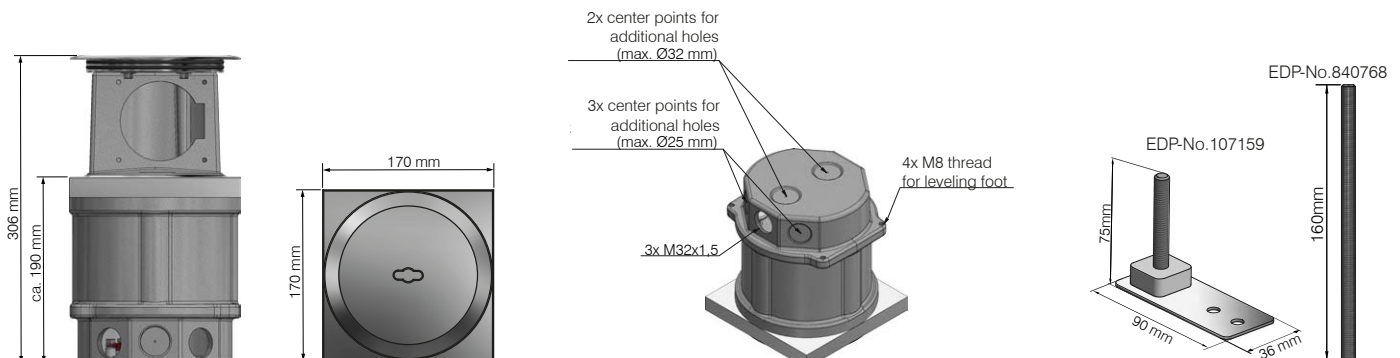
- Nearly micro subfloor distributor to be installed at floor level
- Equipment: see article numbers
- When closed:
 - IP67
 - can be travelled over
- When opened:
 - up to IP54 (depending on the equipment variant)
 - step-resistant

EDP No.	Product-ID-No. / Description
840931	MASSO.4010-2EG.301659 / Micro subfloor distributor, 170x 170x 190 mm, alu colored anodized , closed IP67, 1x CEE 400V 16A
840932	MASSO.4010-2EG.303259 / Micro subfloor distributor, 170x 170x 190 mm, alu colored anodized , closed IP67, 1x CEE 400V 32A

Accessories		Installation height
107159	FONTO.MASSO.NIVELLIERSCRAUBE. SENKVERTEILER / Leveling screw: consisting of: 1x base plate + 1x leveling pin M8x60	190 mm
Option		
840768	M8.160.A2.DIN976-1 / Threaded rod M8 x 160 mm suitable for base plate 107159	190* - 290 mm

Other equipment options on request.

* Shorten the setscrew as required



Leveling feet are only used to set up the floor socket. Loading class / stability is only achieved by backfilling the floor socket with solid material (mortar, concrete ...).



MASSO 8000



Floor level – Indoor use
 MASSO.8000.2 on request

Micro subfloor distributor
(Leveling feet optionally available)

Application

Outdoor use

Technical data

Outer dimensions (L x W x H)	255 x 170 x 170 mm
Installation height with leveling feet	255 mm
Installation height with threaded pin extension	255* - 355 mm
Material	aluminium untreated (salt and seawater resistant)
Color	alu colored anodized
Maximum static load according to EN 50085	40kN

Product features

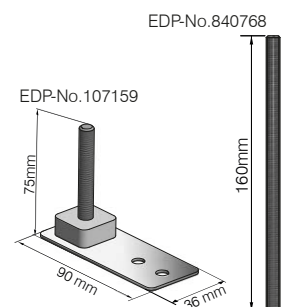
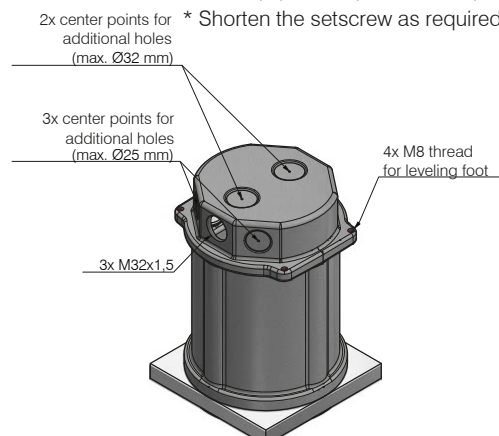
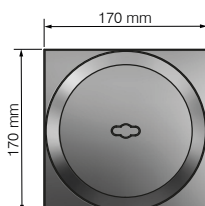
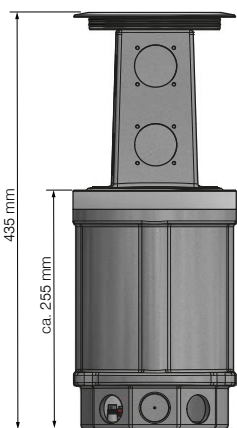
- Nearly micro subfloor distributor to be installed at floor level
- Equipment: see article numbers
- When closed:
 - IP67
 - can be travelled over
- When opened :
 - up to IP54 (depending on the equipment variant)
 - step-resistant

EDP No.	EDP No. F&B	Product-ID-No. / Description
840940	840942	MASSO.8000-2EG.6X309 / Micro subfloor distributor, 170 x 170 x 255 mm, alu colored anodized , closed IP67, 6x Schuko 230V 16A
840946	840948	MASSO.8000-2EG.DL.5X309 / Micro subfloor distributor, 170 x 170 x 255 mm, alu colored anodized , closed IP67, compressed air DN7.2, 5x Schuko 230V 16A
840943	840945	MASSO.8000-2EG.5X309.2XRJ45 / Micro subfloor distributor, 170 x 170 x 255 mm, alu colored anodized , closed IP67, 5x Schuko 230V 16A, 2x RJ45
with RCBO		
840959	840961	MASSO.8000-2EG.FILS.0,03.3X309 / Micro subfloor distributor, 170 x 170 x 255 mm, alu colored anodized , closed IP67, RCBO/0,03/16A, 3x Schuko 230V16A

Accessories		Installation height
107159	FONTO.MASSO.NIVELLIERSCRAU-BE.SENKVERTEILER / Leveling screw: consisting of: 1x base plate + 1x leveling pin M8x60	255 mm
Options		
840768	M8.160.A2.DIN976-1 / Threaded rod M8 x 160 mm suitable for base plate 107159	255* - 355 mm

Other equipment options on request.

* Shorten the setscrew as required



Leveling feet are only used to set up the floor socket. Loading class / stability is only achieved by backfilling the floor socket with solid material (mortar, concrete ...).

CE

07/2021/1.0

MASSO 8010



Floor level – Indoor use
 MASSO.8010.2 on request

Micro subfloor distributor
(Leveling feet optionally available)
Application

Outdoor use

Technical data

Outer dimensions (L x W x H)	255 x 170 x 170 mm
Installation height with leveling feet	255 mm
Installation height with threaded pin extension	255* - 355 mm
Material	aluminium untreated (salt and seawater resistant)
Color	alu colored anodized
Maximum static load according to EN 50085	40kN

Product features

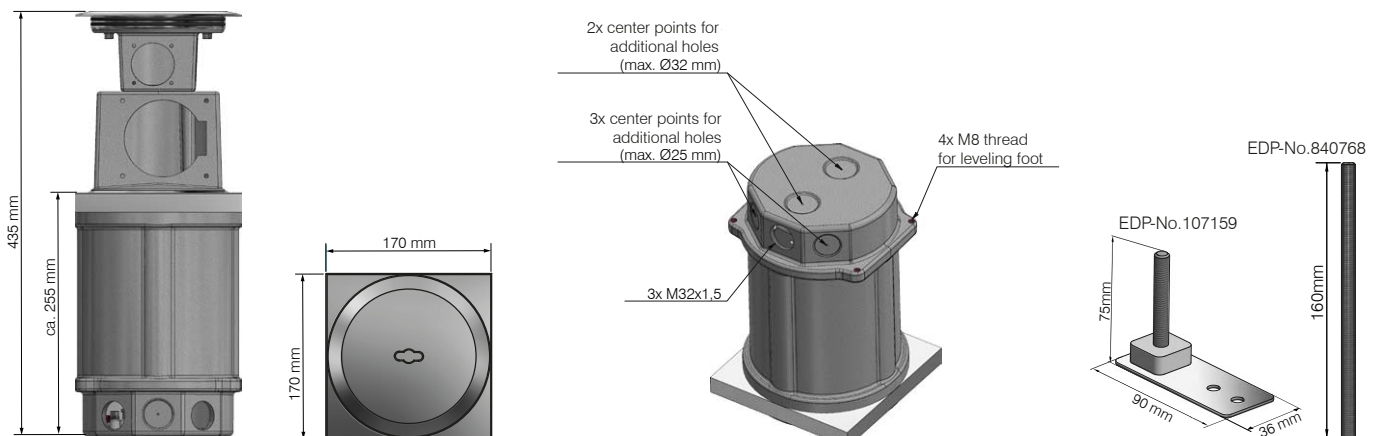
- Nearly micro subfloor distributor to be installed at floor level
- Equipment: see article numbers
- When closed:
 - IP67
 - can be travelled over
- When opened :
- up to IP54 (depending on the equipment variant)
- step-resistant

EDP No.	EDP No. F&B	Product-ID-No. / Description
840933	840920	MASSO.8010-2EG.301659.3X309 / Micro subfloor distributor, 170x170x255 mm, alu colored anodized , closed IP67, 1x CEE 400V 16A, 3x Schuko 230V 16A
840902	840939	MASSO.8010-2EG.DL.301659.2X309 / Micro subfloor distributor, 170x170x255 mm, alu colored anodized , closed IP67, compressed air DN7.2, 1x CEE 400V 16A, 2x Schuko 230V 16A
840935	840937	MASSO.8010-2EG.301659.2X309.2XRJ45 / Micro subfloor distributor, 170x170x255 mm, alu colored anodized , closed IP67, 1x CEE 400V 16A, 2x Schuko 230V 16A, 2x RJ45

Accessories	Installation height
107159 FONTO.MASSO.NIVELLIERSCHRAUBE.SENKVERTEILER / Leveling screw: consisting of: 1x base plate + 1x leveling pin M8x60	255 mm
Options	
840768 M8.160.A2.DIN976-1 / Threaded rod M8 x 160 mm suitable for base plate 107159	255* - 355 mm

Other equipment options on request.

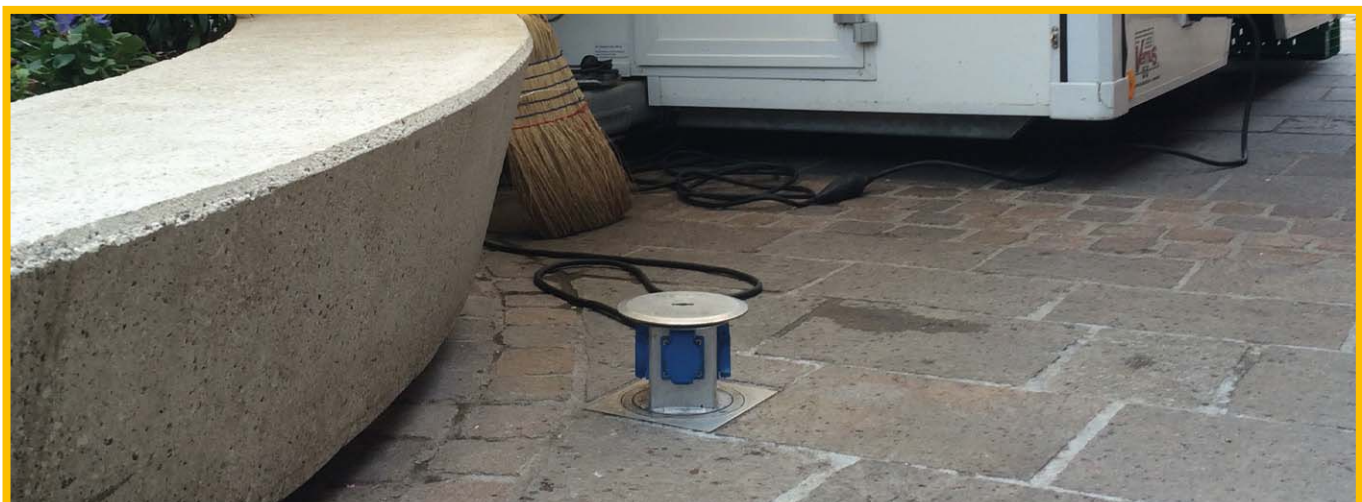
* Shorten the setscrew as required



Leveling feet are only used to set up the floor socket. Loading class / stability is only achieved by backfilling the floor socket with solid material (mortar, concrete ...).



MASSO Application examples



MASSO Application examples



CONTACT US



GIFAS
ELECTRIC

GIFAS ELECTRIC
Gesellschaft m.b.H
Strass 2
5301 Eugendorf
AUSTRIA

🌐 www.gifas.at
✉ verkauf@gifas.at
☎ +43 6225/7191-0
☎ +49 8654/404-2000

SYSTEMATIC QUALITY

Welding products



Welding plug connectors / Welding socket connectors

Page 4

Welding plug connectors



Page 4

Welding socket connectors



Page 4

Welding tools

Page 5

Welding rod holder



Page 5

Welding tongs



Page 5

Welding cables / extensions / Battery charging clips / Charging cable

Pages 6 - 7

UNIFLEX /
extensions



Page 6

Battery charging clips



Page 6

Battery Charger



Page 7

Welding- / Rising mains distributors

Page 7

Welding- / Rising
mains distributors



Page 7

In the field of welding products, we offer a wide range of welding accessories and components.

From a 25 mm² solid-rubber insulated welding plug connectors to assembly-ready welding rising mains distributors, we produce and deliver any part you may need.

Our products

- Welding plug connectors made of solid brass, solid-rubber isolated
- Welding cable coupling machined solid brass, solid-rubber isolated
- Welding connectors, insulated and made of solid brass
- Built-in, insulated welding sockets made of solid brass
- Welding rod holder
- Welding tongs
- GIFAS UNIFLEX welding cable
- Welded cable fittings
- Connection sets with welding tongs
- Battery jumper cable with battery clamp or cable lug connectorization

Safe and indestructible

- for applications in industry, commerce, etc.
- for dry and wet areas
- for outdoor use – in rain, snow, sunlight, and other environmental influences
- high temperature-resistance
- resistant to chemical influences (oils, greases, many acids and alkalis)
- perfect cable harnessing according to your specifications and requests

Welding plug connectors

Model

All Welding plug connectors are solid-rubber insulated, and have a solid-brass rotatable cone connector. Includes clamp-type bushing of tin-plated copper with clamp screw. All 600A connections have a double-clamping connection.



Plug				
EDP No.	Product ID No.	Ampere	For cable profile	Pin Ø
11893	60025	200A	10-25 mm ²	9 mm
11896	60050	400A	35-50 mm ²	13 mm
11899	60070	500A	50-70 mm ²	13 mm
11902	60095	600A	70-95 mm ²	13 mm



Socket				
EDP No.	Product ID No.	Ampere	For cable profile	Bore-hole for pin Ø
11904	60125	200A	10-25 mm ²	9 mm
11905	60150	400A	35-50 mm ²	13 mm
11907	60170	500A	50-70 mm ²	13 mm
11909	60195	600A	70-95 mm ²	13 mm



High-current plug				
EDP No.	Product ID No.	Ampere	For cable profile	Pin Ø
11892	600120	over 600A	95-120 mm ²	15 mm



High-current socket				
EDP No.	Product ID No.	Ampere	For cable profile	Bore-hole for pin Ø
11903	601120	over 600A	95-120 mm ²	15 mm



Built-in plug				
EDP No.	Product ID No.	Ampere	For cable profile	Pin Ø
20348	62025	200A	16-25 mm ²	9 mm
20347	62050	400A	35-50 mm ²	13 mm
20349	62070	500A	50-70 mm ²	13 mm



Built-in socket				
EDP No.	Product ID No.	Ampere	For cable profile	Bore-hole for pin Ø
20344	60225	200A	16-25 mm ²	9 mm
20345	60250	400A	35-50 mm ²	13 mm
20346	60270	500A	50-70 mm ²	13 mm



Built-in high-current plug				
EDP No.	Product ID No.	Ampere	For cable profile	Pin Ø
11956	620120	over 600A	95-120 mm ²	15 mm



Built-in high current socket				
EDP No.	Product ID No.	Ampere	For cable profile	Bore-hole for pin Ø
11910	602120	over 600A	95-120 mm ²	15 mm



Built-in plug with cover				
EDP No.	Product ID No.	Ampere	For cable profile	Pin Ø
11961	62350	500A	50-70 mm ²	13 mm
11962	62370	600A	70-95 mm ²	13 mm



Built-in socket with cover				
EDP No.	Product ID No.	Ampere	For cable profile	Bore-hole for pin Ø
11943	61350	500A	50-70 mm ²	13 mm
11944	61370	600A	70-95 mm ²	13 mm

Welding rod holder

Made for welding currents of 300-600A. Supplied with inside clamp-type bushing and tin-plated copper and screws. The insulated shells can be unscrewed and are available as spare parts.



Electrode holder for stick electrodes 2.5-6 mm

EDP No.	Product ID No.	Ampere	Weight
83004	610.M25	300/400A	approx. 450 g

Welding tongs



Welding tongs chromium plated

EDP No.	Product ID No.	Ampere	Weight
34280	608.ERDKLEMME.150A	150A	approx. 250 g

Welding tongs chromium plated with copper jaws and M8-clamp type cable plug for 50 mm².



Welding tongs of stainless steel

EDP No.	Product ID No.	Ampere	Weight
60489	608.ERDKLEMME.160A.INOX	160A	approx. 250 g

Welding tongs of stainless steel with copper jaws M8 clamp type socket for 50 mm².



Welding tongs

EDP No.	Product ID No.	Ampere	Weight
11922	605	600A	approx. 400 g

Welding tongs with 2 brass jaws connected by a strong, braided copper band. Connecting M12 screw for cable connections up to 120 mm². The insulated suspension of the steel spring prevents burn-out and weakening.



Brass welding tongs

EDP No.	Product ID No.	Ampere	Weight
34214	607.ERDKLEMME.600A	600A	approx. 900 g

Brass welding tongs with spindle-shaped lever, for cable connections up to 120 mm².

GIFAS-UNIFLEX -welding cable



Composed of a combined insulation and covering system of PVC. The PVC insulation is responsible for a high resistance to disruptive strength and prevents corrosion of the copper strands. Due to an exclusive mixture, we achieve excellent qualities such as extraordinary toughness, high elasticity (even at lower temperatures), resistance to abrasion and fuels, oils and the most widely used solvents. GIFAS welding cables withstand a constant conductor temperature of up to 80° C without their outstanding properties being compromised. Similar to NSLFFÖU according to VDE 0282.

Battery charging clips



Battery charging clips 600A

- Fully insulated
- Galvanized steel sheet
- Length: 160 mm

Battery charging clips 1000A

- Fully insulated
- Solid brass cast
- Length: 150 mm

UNIFLEX -welding cables				
EDP No.	Product ID No.	Profile (mm ²)	Copper no. kg/ 1000 m	approx.exterior Ø (mm)
11708	47716	16,0	160	10.0
11709	47725	25,0	250	13.0
11710	47735	35,0	350	15.0
11711	47750	50,0	500	16.5
11712	47770	70,0	700	18.0



Extension cords with welding plug connectors and welding socket connectors						
cable length: 10 m		cable length: 15 m		cable length: 20 m		
EDP No.	Product ID No.	EDP No.	Product ID No.	EDP No.	Product ID No.	Profile (mm ²)
25466	10.725.25	25489	15.725.25	25490	20.725.25	25.0
25468	10.735.50	25491	15.735.50	25492	20.735.50	35.0
25469	10.750.50	25494	15.750.50	25495	20.750.50	50.0
25470	10.770.70	25496	15.770.70	25497	20.770.70	70.0



Ground cords with welding tongs and welding plug connectors						
cable length: 3 m		cable length: 5 m		cable length: 10 m		
EDP No.	Product ID No.	EDP No.	Product ID No.	EDP No.	Product ID No.	Profile (mm ²)
25381	605.3.716.25	25383	605.5.716.25	25384	605.10.716.25	16.0
25464	605.3.725.25	25387	605.5.725.25	25388	605.10.725.25	25.0
25389	605.3.735.50	25385	605.5.735.50	25391	605.10.735.50	35.0
25392	605.3.750.50	25393	605.5.750.50	25394	605.10.750.50	50.0
25396	605.3.770.70	25397	605.5.770.70	25398	605.10.770.70	70.0

Battery charging clips			
EDP No.	Product ID No.	Ampere	Weight
107844	BATTERIELADEZANGE.600A.ROT	600A	225 g
107845	BATTERIELADEZANGE.600A.SCHW.	600A	225 g
47306	BATTERIELADEZANGE.1000A.ROT	1000A	320 g
47307	BATTERIELADEZANGE.1000A.SCHW.	1000A	320 g

Current carrying capacity UNIFLEX				
Dimension	100%	85%	60%	30%
16 mm ²	135A	145A	175A	245A
25 mm ²	180A	195A	230A	330A
35 mm ²	225A	245A	290A	410A
50 mm ²	285A	310A	370A	520A
70 mm ²	355A	385A	460A	650A

Other lengths, cross sections, one-way/two-way notch-type cable keys, etc on request.



Battery Charging cable



Battery Charger 600A

- Fully insulated
- Galvanized steel sheet
- Length: 160 mm

Battery Charger 1000A

- Fully insulated
- Solid brass cast
- Length: 150 mm

**Welding- / Rising mains distributors
solid-rubber model**



**Entry
Equipment
Outlet
Model**

2/cable glands M25
2/built-in (welding) sockets 61370
2/cable glands M25
engraving on request

Battery charging clips black with UNIFLEX cable				
EDP No.	Product ID No.	length	ton- gs	cross- section (mm ²)
107918	BATTERIEZ.57725.BATTERIEZ.SW.600A	5 m	600A	25.0
107919	BATTERIEZ.107725.BATTERIEZ.SW.600A	10 m	600A	25.0
107914	BATTERIEZ.57735.BATTERIEZ.SW.600A	5 m	600A	35.0
107915	BATTERIEZ.107735.BATTERIEZ.SW.600A	10 m	600A	35.0
107924	BATTERIEZ.57750.BATTERIEZ.SW.1000A	5 m	1000A	50.0
107929	BATTERIEZ.107750.BATTERIEZ.SW.1000A	10 m	1000A	50.0

Welding distributors BR 7350	
EDP No.	Product ID No.
47506	7350.2x61370.4M25

Battery charging clips red with UNIFLEX cable				
EDP No.	Product ID No.	length	ton- gs	cross- section (mm ²)
107920	BATTERIEZ.57725.BATTERIEZ.RT.600A	5 m	600A	25.0
107921	BATTERIEZ.107725.BATTERIEZ.RT.600A	10 m	600A	25.0
107916	BATTERIEZ.57735.BATTERIEZ.RT.600A	5 m	600A	35.0
107917	BATTERIEZ.107735.BATTERIEZ.RT.600A	10 m	600A	35.0
107923	BATTERIEZ.57750.BATTERIEZ.RT.1000A	5 m	1000A	50.0
107922	BATTERIEZ.107750.BATTERIEZ.RT.1000A	10 m	1000A	50.0

Other lengths, cross sections, one-way/two-way notch-type cable keys, etc on request.

CONTACT US

GIFAS
ELECTRIC

GIFAS ELECTRIC
Gesellschaft m.b.H
Strass 2
5301 Eugendorf
AUSTRIA

 www.gifas.at
 verkauf@gifas.at
 +43 6225/7191-0
 +49 8654/404-2000



GIFAS

E L E C T R I C

GIFAS ELECTRIC GmbH
Strass 2
5301 Eugendorf
AUSTRIA

tel +43 6225 7191 - 0
fax +43 6225 7191 - 561
mail verkauf@gifas.at
web www.gifas.at